



Chipsmall Limited consists of a professional team with an average of over 10 year of expertise in the distribution of electronic components. Based in Hongkong, we have already established firm and mutual-benefit business relationships with customers from,Europe,America and south Asia,supplying obsolete and hard-to-find components to meet their specific needs.

With the principle of “Quality Parts,Customers Priority,Honest Operation,and Considerate Service”,our business mainly focus on the distribution of electronic components. Line cards we deal with include Microchip,ALPS,ROHM,Xilinx,Pulse,ON,Everlight and Freescale. Main products comprise IC,Modules,Potentiometer,IC Socket,Relay,Connector.Our parts cover such applications as commercial,industrial, and automotives areas.

We are looking forward to setting up business relationship with you and hope to provide you with the best service and solution. Let us make a better world for our industry!



Contact us

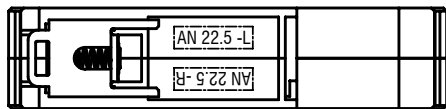
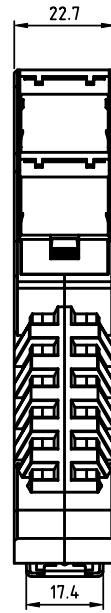
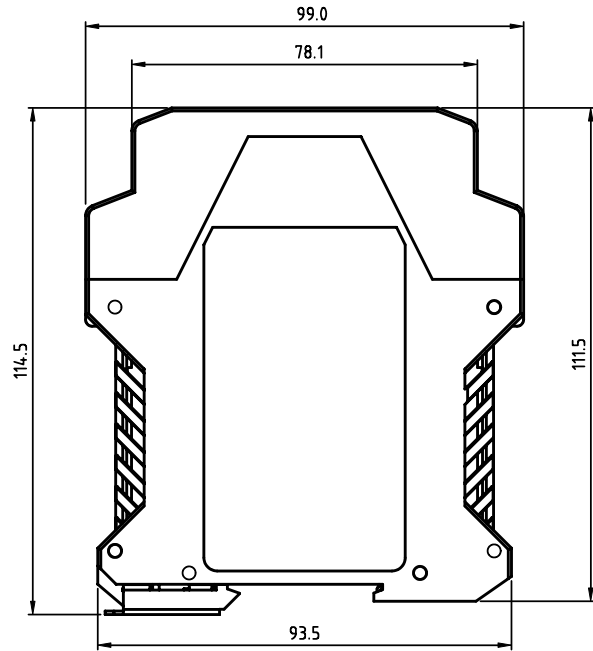
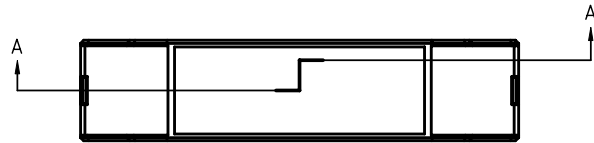
Tel: +86-755-8981 8866 Fax: +86-755-8427 6832

Email & Skype: info@chipsmall.com Web: www.chipsmall.com

Address: A1208, Overseas Decoration Building, #122 Zhenhua RD., Futian, Shenzhen, China

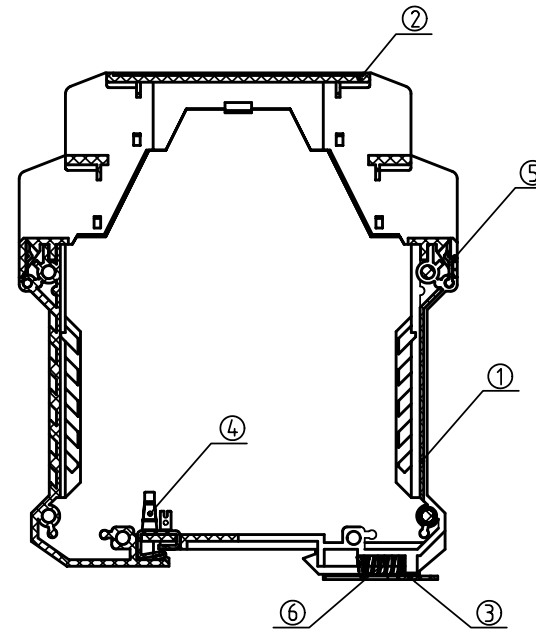


PRODUCT NUMBER	PITCH
AN00005000J0G	NA



Material:

- Item ① Terminal body: Thermoplastic (UL94 V-0) Color: Green(RAL6018/T)
- Item ② Terminal cover: Thermoplastic (UL94 V-0) Color: Green(RAL6018/T)
- Item ③ Dinrail wire guard: Steel Zinc plated
- Item ④ Contacts: PhBz Tin plated
- Item ⑤ Terminal card: Thermoplastic (UL94 V-0) Color: Green(RAL6018/T)
- Item ⑥ Spring: Stainless steel



SECTION A-A

mat'l. code		surface ASME Y14.5	tolerance ASME Y14.5	projection MM	product family TERMINAL BLOCK
ltr	ecn	no	dr	date	title TERMINAL BLOCK ACCESSORIES, MATCH WITH EU 4(RIGHT AND LEFT)
			angles	X.±0.5	scale
			X*±1°	X.X±0.3	
				X.XX±0.1	dwg no AN00005000J0G sheet 1 of 1 size A4 type CUSTOMER Drawing
			dr	EVIN ZHONG 070814	
			enr	EVIN ZHONG 070814	
			chr	HANKE FENG 070814	
			appd	SHI JUN 070814	
sheet index	revision	sheet		A	