



Chipsmall Limited consists of a professional team with an average of over 10 year of expertise in the distribution of electronic components. Based in Hongkong, we have already established firm and mutual-benefit business relationships with customers from,Europe,America and south Asia,supplying obsolete and hard-to-find components to meet their specific needs.

With the principle of “Quality Parts,Customers Priority,Honest Operation,and Considerate Service”,our business mainly focus on the distribution of electronic components. Line cards we deal with include Microchip,ALPS,ROHM,Xilinx,Pulse,ON,Everlight and Freescale. Main products comprise IC,Modules,Potentiometer,IC Socket,Relay,Connector.Our parts cover such applications as commercial,industrial, and automotives areas.

We are looking forward to setting up business relationship with you and hope to provide you with the best service and solution. Let us make a better world for our industry!



Contact us

Tel: +86-755-8981 8866 Fax: +86-755-8427 6832

Email & Skype: info@chipsmall.com Web: www.chipsmall.com


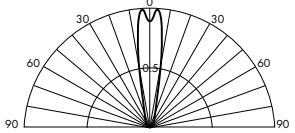

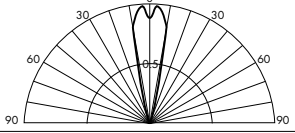

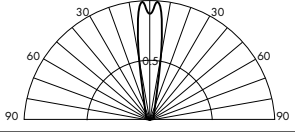

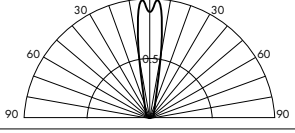

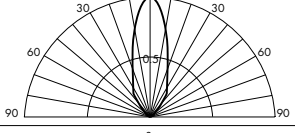

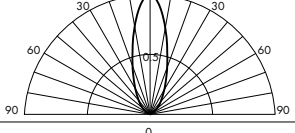

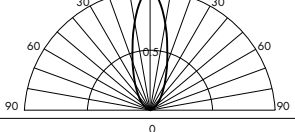

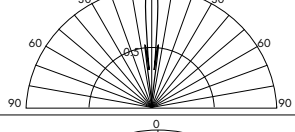

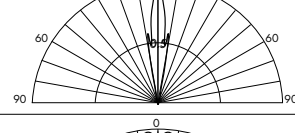

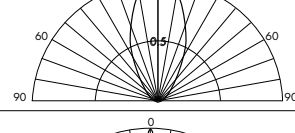

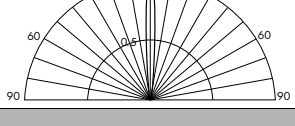
Address: A1208, Overseas Decoration Building, #122 Zhenhua RD., Futian, Shenzhen, China



THROUGH-HOLE SHAPE - INFRARED LED

Infrared LED

Ta= 25°C

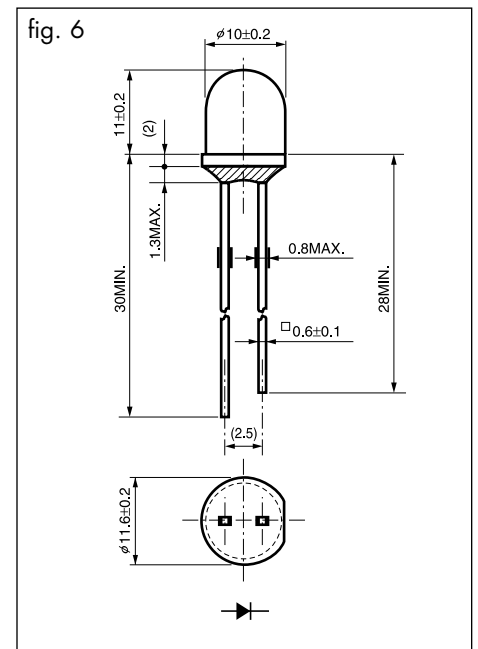
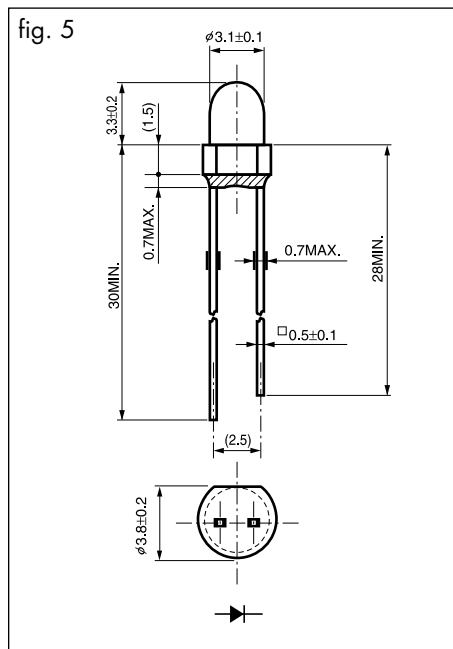
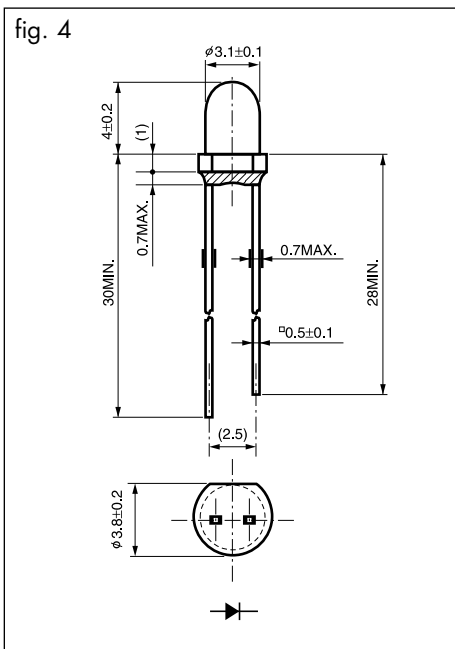
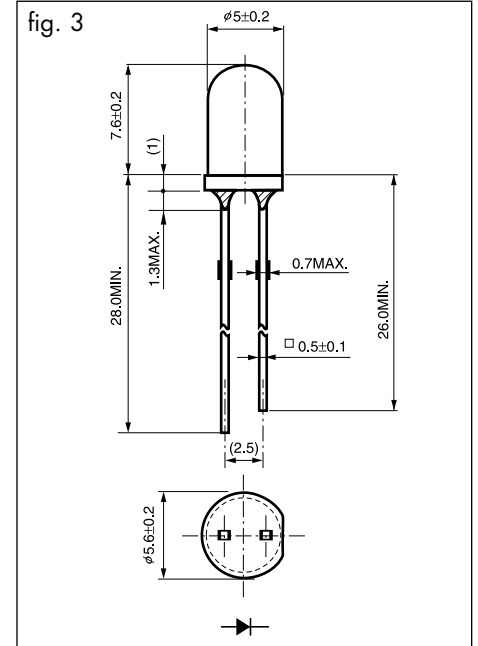
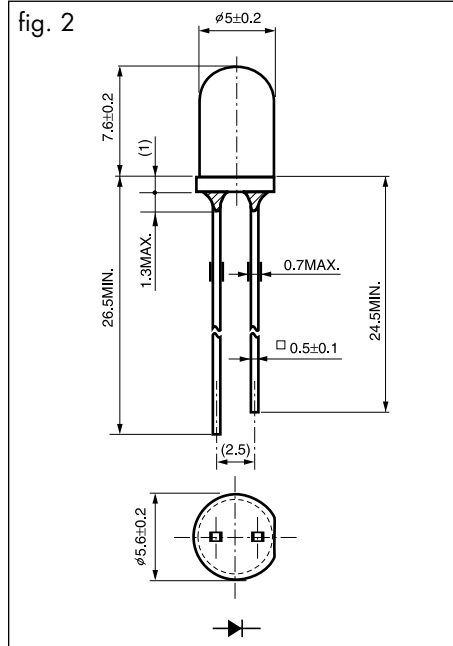
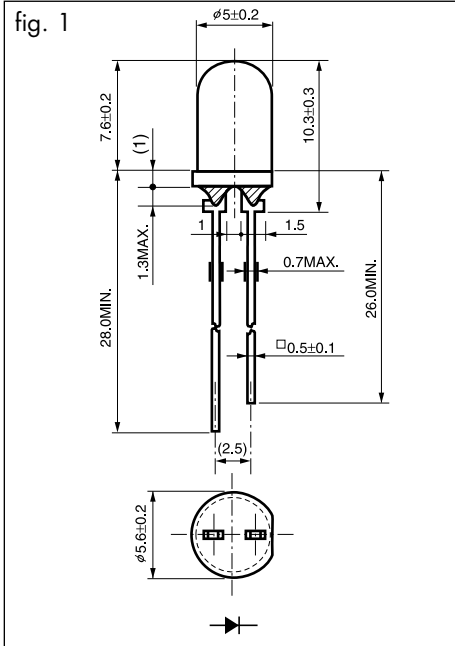
Shape	Part No.	Features	Peak Wavelength P		Radiant Intensity I _E			Output Power P _O		Cut-Off Frequency F _c			Spatial Distribution (The typical distribution example of each shape is shown below)	fig.
			TYP.	I _F	MIN.	TYP.	I _F	TYP.	I _F	MIN.	TYP.	I _F		
	DNH318U	Hi-speed 100MHz 5 package	850	50	10	20	50	5	50	70	100	50		1
	DNK318U	Hi-speed Hi-power output 5 package	870	50	40	80	50	20	50	40	55	50		1
	DNF318U-4	Hi-speed 5 package	850	50	30	60	50	13	50	20	30	50		1
	DNP318U-4	Hi-output 5 package	880	50	30	60	50	13	50	—	12	50		1
	DNK324U	Hi-speed Hi-power output Wide distribution 5 package	870	50	15	30	50	22	50	40	55	50		2
	DNF324U-4	Hi-speed Wide distribution 5 package	850	50	15	30	50	13	50	20	30	50		2
	DNP324U-8	Hi-output Wide distribution 5 package	880	50	21	35	50	18	50	—	12	50		2
	DNP325-4	Hi-radiant intensity Narrow distribution 5 package	880	50	40	80	50	13	50	—	12	50		3
	DNP319	3 package	880	50	20	40	50	14	50	—	12	50		4
	DNP331	Wide distribution 3 package	880	50	10.5	21	50	16	50	—	12	50		5
	DNF320-4	Hi-radiant intensity Narrow distribution 10 package	850	50	100	200	50	13	50	20	30	50		6
Unit			nm	mA	mW/sr	mA	mW	mA	MHz	mA				

All above products contain no lead
* Lead-free soldering compatible product

THROUGH-HOLE SHAPE - INFRARED LED

Package Dimensions


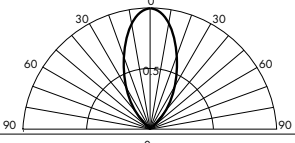

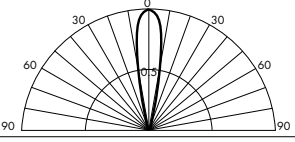

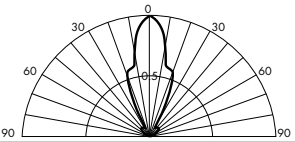

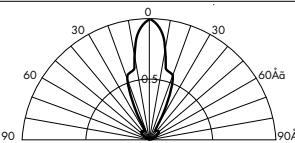

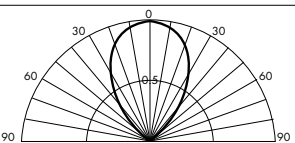

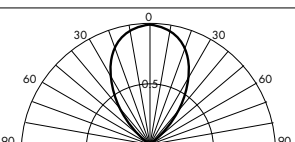
unit: mm



THROUGH-HOLE SHAPE - INFRARED LED

Infrared LED

Ta= 25°C

Shape	Part No.	Features	Peak Wavelength P		Radiant Intensity I _E			Output Power P _O		Cut-Off Frequency F _c			Spatial Distribution (The typical distribution example of each shape is shown below)	fig.
			TYP.	I _F	MIN.	TYP.	I _F	TYP.	I _F	MIN.	TYP.	I _F		
	AN304	5 package	950	50	6	15	50	9	50	—	0.5	50		1
	AN333	3 package	950	50	5	10	50	5	50	—	0.5	50		2
	AN501	Double-end package	950	50	3	5	50	6	50	—	0.5	50		3
	DN501	Double-end package	850	50	5.2	10.4	50	10	50	—	30	50		3
	AN504	Side-view package	950	50	1.5	3.0	50	5	50	—	0.5	50		4
	DN504	Side-view package	850	50	4	8	50	12	50	—	30	50		4
Unit			nm	mA	mW/sr	mA	mW	mA	MHz	mA				

All above products contain no lead

* Lead-free soldering compatible product

THROUGH-HOLE SHAPE - INFRARED LED

Package Dimensions

unit: mm

