



Chipsmall Limited consists of a professional team with an average of over 10 year of expertise in the distribution of electronic components. Based in Hongkong, we have already established firm and mutual-benefit business relationships with customers from,Europe,America and south Asia,supplying obsolete and hard-to-find components to meet their specific needs.

With the principle of “Quality Parts,Customers Priority,Honest Operation,and Considerate Service”,our business mainly focus on the distribution of electronic components. Line cards we deal with include Microchip,ALPS,ROHM,Xilinx,Pulse,ON,Everlight and Freescale. Main products comprise IC,Modules,Potentiometer,IC Socket,Relay,Connector.Our parts cover such applications as commercial,industrial, and automotives areas.

We are looking forward to setting up business relationship with you and hope to provide you with the best service and solution. Let us make a better world for our industry!



Contact us

Tel: +86-755-8981 8866 Fax: +86-755-8427 6832

Email & Skype: info@chipsmall.com Web: www.chipsmall.com

Address: A1208, Overseas Decoration Building, #122 Zhenhua RD., Futian, Shenzhen, China



DATA SHEET

Part No.	AN8025
Package Code No.	SSIP003-P-0000S (Exclusive use for AN80xx)

Maintenance/Discontinued includes following lifecycle stage.
planned maintenance type
maintenance type
planned discontinued type
discontinued type
Please visit following URL about latest information.
<http://www.semicon.panasonic.co.jp/en/>

Contents

■ Overview	3
■ Features	3
■ Applications	3
■ Package	3
■ Type	3
■ Block Diagram	4
■ Pin Descriptions	5
■ Absolute Maximum Ratings	6
■ Operating Supply Voltage Range	6
■ Electrical Characteristics	7
■ Electrical Characteristics (Reference values for design)	8
■ Technical Data	9
■ Package Dimensions	10

AN8025

3-pin, positive output, low dropout voltage regulator (50 mA type)

■ Overview

The AN80xx series are 3-pin, low dropout, fixed positive output type monolithic voltage regulators.

Since their power consumption can be minimized, they are suitable for battery-used power supply and reference voltage.

13 types of output voltage are available ; 2 V, 2.5 V, 3 V, 3.5 V, 4 V, 4.5 V, 5 V, 6 V, 7 V, 8 V, 8.5 V, 9 V, and 10 V.

■ Features

- Input /output voltage difference: 0.3 V max.
- Output current of up to 50 mA
- Low bias current: 0.6 mA typ.
- Output voltage: 2.5 V
- Built-in over current protection circuit

■ Applications

- 3-pin positive output voltage regulator (low drop 50 mA type)

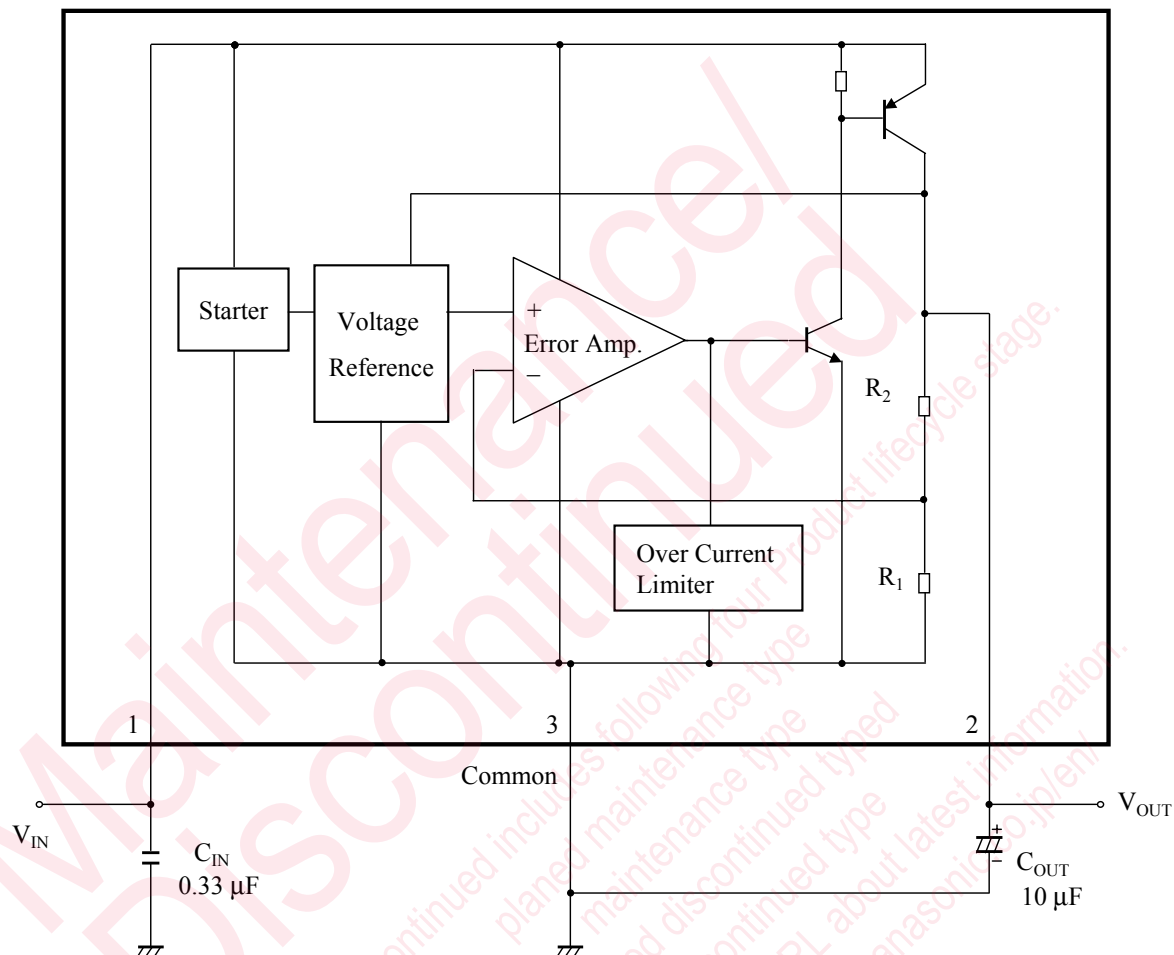
■ Package

- 3-pin plastic shrink single inline package (SSIP type)

■ Type

- Silicon monolithic bipolar IC

■ Block Diagram



C_{OUT} : AN80xx series have their internal gain in order to improve performance. When the power line on the output side is long, use a capacitor of 10 μF .
 Also, the capacitor on the output side should be attached as close to the IC as possible.
 When using at a low temperature, it is recommended to use the capacitors with low internal impedance (for example, tantalum capacitor) for output capacitors.

R_1 : 5 $\text{k}\Omega$
 R_2 : 5 $\text{k}\Omega$

■ Pin Descriptions

Pin No.	Pin name	Type	Description
1	Input	Input	Input supplies power to the internal circuit
2	Output	Output	Regulated power output
3	Common	Ground	Ground

Maintenance/Discontinued includes following four Product lifecycle stage.
planned maintenance type
maintenance type
planned discontinued type
discontinued type
Please visit following URL about latest information.
<http://www.semicon.panasonic.co.jp/en/>

■ Absolute Maximum Ratings

A No.	Parameter	Symbol	Rating	Unit	Note
1	Supply voltage	V_{CC}	20	V	*1
2	Supply current	I_{CC}	100	mA	*4
3	Power dissipation	P_D	368	mW	*2
4	Operating ambient temperature	T_{opr}	-30 to +80	°C	*3
5	Storage temperature	T_{stg}	-55 to +150	°C	*3

Note) *1: The values under the condition not exceeding the above absolute maximum ratings and the power dissipation.

*2: The power dissipation shown is the value at $T_a = 80^\circ\text{C}$ for independent (unmounted) IC packaged.

When using this IC, refer to the $\bullet P_D - T_a$ diagram in the ■ Technical Data and use under the condition not exceeding the allowable value.

*3: Except for the power dissipation, operating ambient temperature, and storage temperature, all ratings are for $T_a = 25^\circ\text{C}$.

*4: Built-in over current limit circuit, and the current will not go over the limit.

■ Electrical Characteristics

Note) Unless otherwise specified, $T_a = 25^\circ\text{C} \pm 2^\circ\text{C}$, $V_{\text{IN}} = 3.5\text{ V}$, $I_{\text{OUT}} = 20\text{ mA}$, $C_{\text{IN}} = 0.33\text{ }\mu\text{F}$ and $C_{\text{OUT}} = 10\text{ }\mu\text{F}$ (ESR less than $5\text{ }\Omega$).

B No.	Parameter	Symbol	Conditions	Limits			Unit	Note
				Min	Typ	Max		
1	Output voltage	V_{OUT}	$T_j = 25^\circ\text{C}$	2.4	2.5	2.6	V	—
2	Line regulation	REG_{LIN}	$T_j = 25^\circ\text{C}$ $3.0\text{ V} \leq V_{\text{IN}} \leq 8.5\text{ V}$	—	2.5	50	mV	—
3	Load regulation	REG_{LOA}	$T_j = 25^\circ\text{C}$ $1\text{ mA} \leq I_{\text{OUT}} \leq 40\text{ mA}$	—	8.0	20	mV	—
			$T_j = 25^\circ\text{C}$ $1\text{ mA} \leq I_{\text{OUT}} \leq 50\text{ mA}$	—	12.5	25		
4	Minimum input/output voltage difference	VD	$T_j = 25^\circ\text{C}$ $V_{\text{IN}} = 2.4\text{ V}, I_{\text{OUT}} = 20\text{ mA}$	—	0.07	0.2	V	—
			$T_j = 25^\circ\text{C}$ $V_{\text{IN}} = 2.4\text{ V}, I_{\text{OUT}} = 50\text{ mA}$	—	0.12	0.3		
5	Bias current	I_{Q}	$T_j = 25^\circ\text{C}$ $I_{\text{OUT}} = 0\text{ mA}$	—	0.6	1.0	mA	—

■ Electrical Characteristics (Reference values for design)

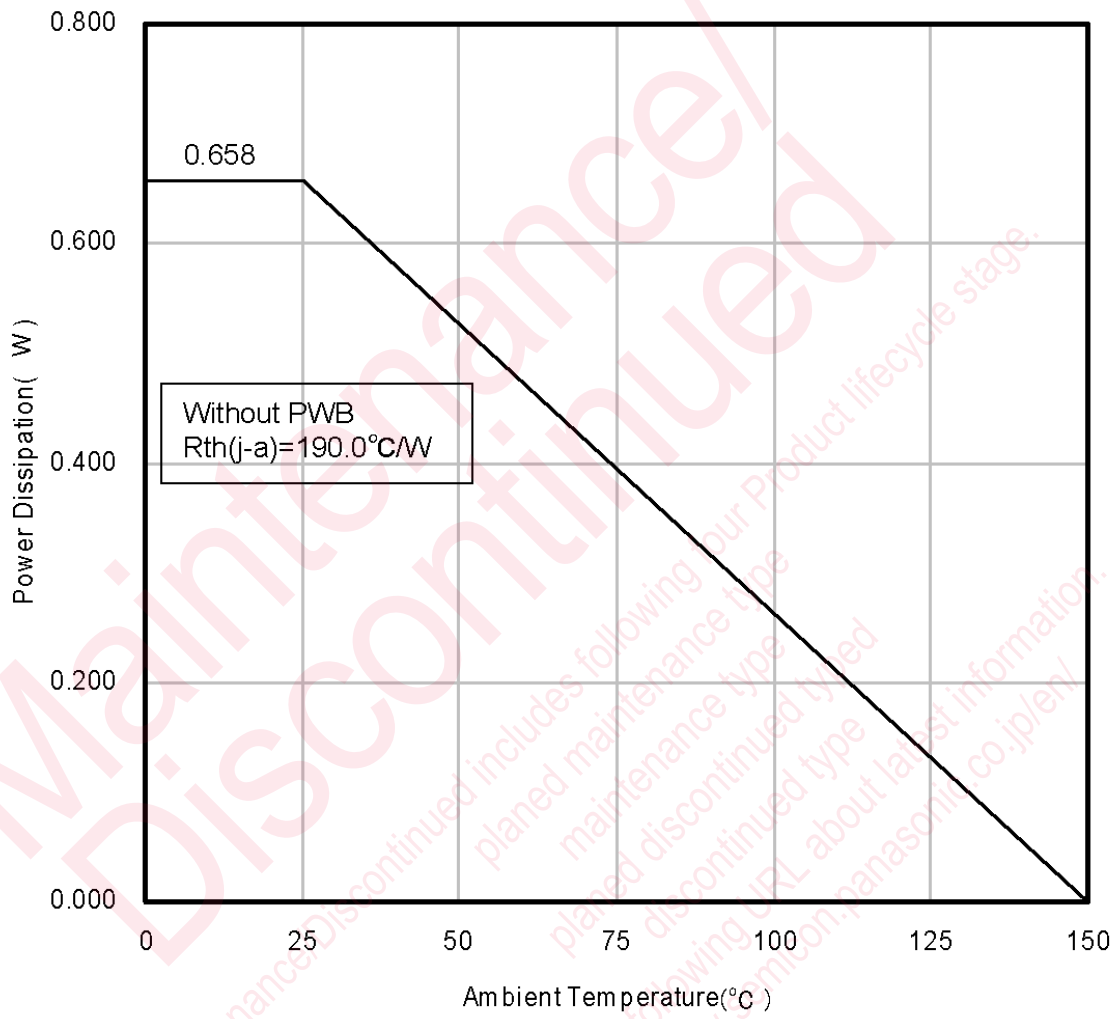
Note) Unless otherwise specified, $T_a = 25^\circ\text{C} \pm 2^\circ\text{C}$, $V_{\text{IN}} = 3.5\text{ V}$, $I_{\text{OUT}} = 20\text{ mA}$, $C_{\text{IN}} = 0.33\text{ }\mu\text{F}$ and $C_{\text{OUT}} = 10\text{ }\mu\text{F}$ (ESR less than $5\text{ }\Omega$).

The characteristics listed below are reference values for design of the IC and are not guaranteed by inspection.

If a problem does occur related to these characteristics, Panasonic will respond in good faith to user concerns.

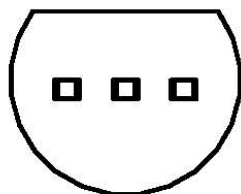
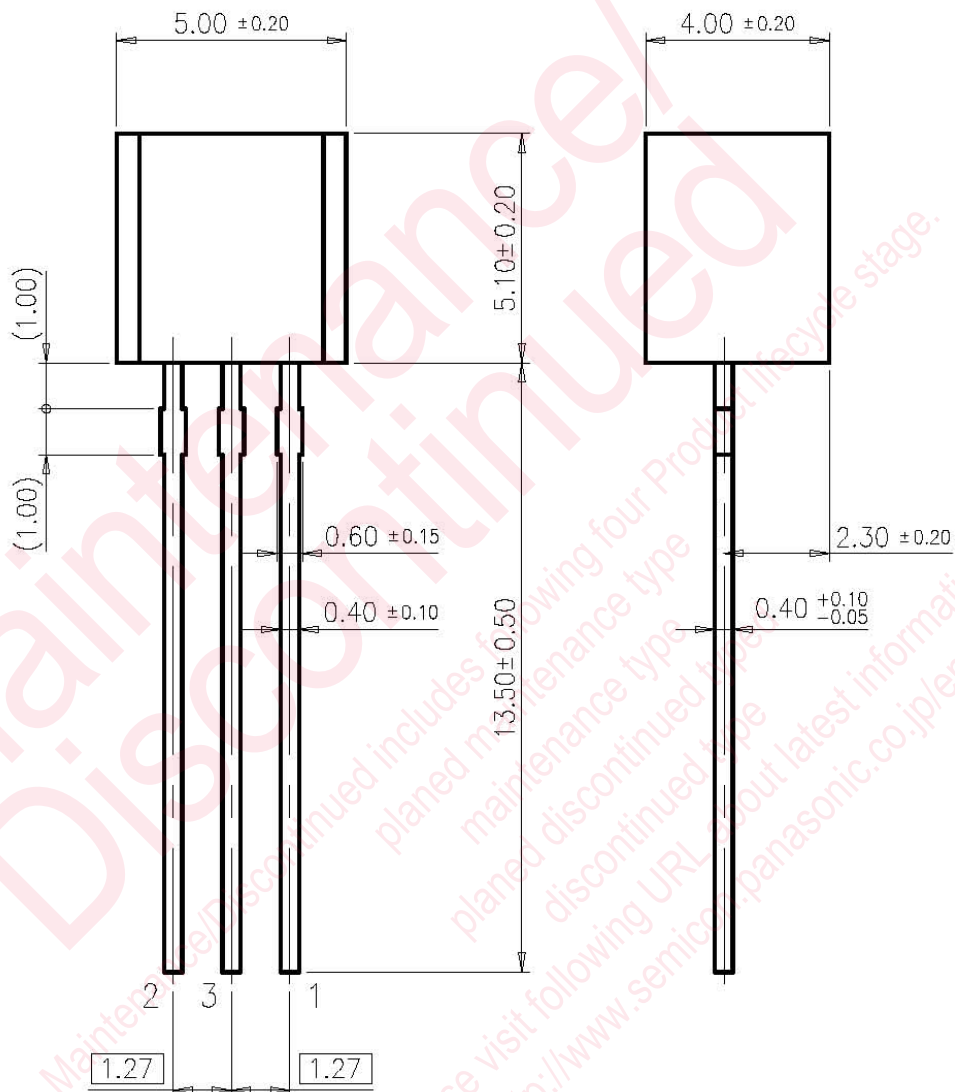
B No.	Parameter	Symbol	Conditions	Reference values			Unit	Note
				Min	Typ	Max		
6	Ripple rejection ratio	RR	$3.5\text{ V} \leq V_{\text{IN}} \leq 5.5\text{ V}$ $f = 120\text{ Hz}$	60	72	—	dB	—
7	Output noise voltage	Vno	$10\text{ Hz} \leq f \leq 100\text{ kHz}$	—	65	—	μV	—
8	Output voltage temperature coefficient	$\frac{\Delta V_{\text{OUT}}}{T_a}$	$-30^\circ\text{C} \leq T_j \leq 125^\circ\text{C}$	—	0.13	—	$\text{mV}/^\circ\text{C}$	—

- Technical Data
- $P_D - T_a$ diagram



■ Package Dimensions (Unit: mm)

- SSIP003-P-0000S (Exclusive use for AN80xx)



Request for your special attention and precautions in using the technical information and semiconductors described in this book

- (1) If any of the products or technical information described in this book is to be exported or provided to non-residents, the laws and regulations of the exporting country, especially, those with regard to security export control, must be observed.
- (2) The technical information described in this book is intended only to show the main characteristics and application circuit examples of the products. No license is granted in and to any intellectual property right or other right owned by Panasonic Corporation or any other company. Therefore, no responsibility is assumed by our company as to the infringement upon any such right owned by any other company which may arise as a result of the use of technical information described in this book.
- (3) The products described in this book are intended to be used for standard applications or general electronic equipment (such as office equipment, communications equipment, measuring instruments and household appliances).
Consult our sales staff in advance for information on the following applications:
 - Special applications (such as for airplanes, aerospace, automobiles, traffic control equipment, combustion equipment, life support systems and safety devices) in which exceptional quality and reliability are required, or if the failure or malfunction of the products may directly jeopardize life or harm the human body.
 - Any applications other than the standard applications intended.
- (4) The products and product specifications described in this book are subject to change without notice for modification and/or improvement. At the final stage of your design, purchasing, or use of the products, therefore, ask for the most up-to-date Product Standards in advance to make sure that the latest specifications satisfy your requirements.
- (5) When designing your equipment, comply with the range of absolute maximum rating and the guaranteed operating conditions (operating power supply voltage and operating environment etc.). Especially, please be careful not to exceed the range of absolute maximum rating on the transient state, such as power-on, power-off and mode-switching. Otherwise, we will not be liable for any defect which may arise later in your equipment.
 - Even when the products are used within the guaranteed values, take into the consideration of incidence of break down and failure mode, possible to occur to semiconductor products. Measures on the systems such as redundant design, arresting the spread of fire or preventing glitch are recommended in order to prevent physical injury, fire, social damages, for example, by using the products.
- (6) Comply with the instructions for use in order to prevent breakdown and characteristics change due to external factors (ESD, EOS, thermal stress and mechanical stress) at the time of handling, mounting or at customer's process. When using products for which damp-proof packing is required, satisfy the conditions, such as shelf life and the elapsed time since first opening the packages.
- (7) This book may be not reprinted or reproduced whether wholly or partially, without the prior written permission of our company.