



Chipsmall Limited consists of a professional team with an average of over 10 year of expertise in the distribution of electronic components. Based in Hongkong, we have already established firm and mutual-benefit business relationships with customers from,Europe,America and south Asia,supplying obsolete and hard-to-find components to meet their specific needs.

With the principle of “Quality Parts,Customers Priority,Honest Operation,and Considerate Service”,our business mainly focus on the distribution of electronic components. Line cards we deal with include Microchip,ALPS,ROHM,Xilinx,Pulse,ON,Everlight and Freescale. Main products comprise IC,Modules,Potentiometer,IC Socket,Relay,Connector.Our parts cover such applications as commercial,industrial, and automotives areas.

We are looking forward to setting up business relationship with you and hope to provide you with the best service and solution. Let us make a better world for our industry!



## Contact us

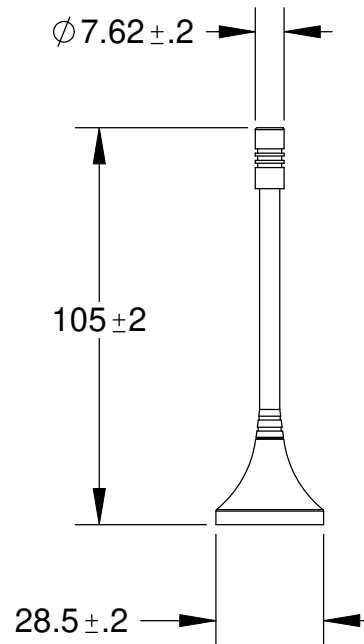
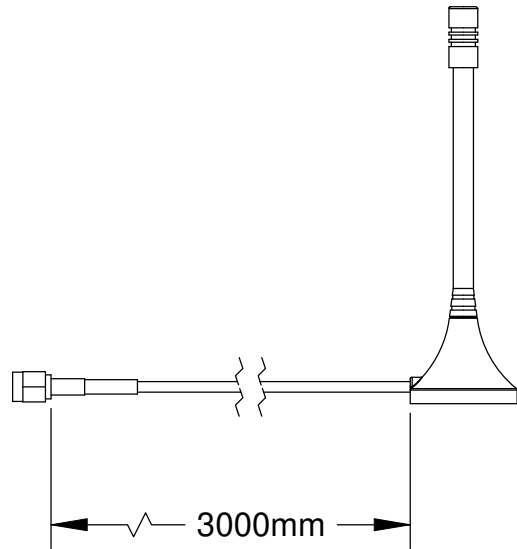
Tel: +86-755-8981 8866 Fax: +86-755-8427 6832

Email & Skype: info@chipsmall.com Web: www.chipsmall.com

Address: A1208, Overseas Decoration Building, #122 Zhenhua RD., Futian, Shenzhen, China



Specifications	
Manufacturer	Boboto
Model	TQC-800/1900-3A
Type	Mag Mount
Frequency	850/1900 MHz
Polarization	Vertical
Gain	3dBi
Impedance	50 Ohms
VSWR	2.0 : 1
Wave	1/4 Wave Dipole
Connector	SMA
Coax Cable	RG174
Housing	ABS/PVC
Color	Black
RoHS Compliant	Yes



ALL DIMENSIONS IN mm



**-NOTICE-**  
 This drawing may contain confidential and proprietary information of Multi-Tech Systems Inc.. It is loaned for limited purposes only and remains the property of Multi-Tech Systems Inc.. It may not be reproduced in whole or part without written consent. This drawing is to be returned upon request. Use controlled when printed.

Title  
 850/1900 MHz Mag Mt Antenna

Drawn Dean Brandt 12/12/08  
 Checked \_\_\_\_\_  
 Approved \_\_\_\_\_

Scale	NONE	Sheet	1 of 1
Size	A	Dwg. No.	ANC2-1MMQW 45009707L
Rev.	-		