



Chipsmall Limited consists of a professional team with an average of over 10 year of expertise in the distribution of electronic components. Based in Hongkong, we have already established firm and mutual-benefit business relationships with customers from,Europe,America and south Asia,supplying obsolete and hard-to-find components to meet their specific needs.

With the principle of “Quality Parts,Customers Priority,Honest Operation,and Considerate Service”,our business mainly focus on the distribution of electronic components. Line cards we deal with include Microchip,ALPS,ROHM,Xilinx,Pulse,ON,Everlight and Freescale. Main products comprise IC,Modules,Potentiometer,IC Socket,Relay,Connector.Our parts cover such applications as commercial,industrial, and automotives areas.

We are looking forward to setting up business relationship with you and hope to provide you with the best service and solution. Let us make a better world for our industry!



## Contact us

Tel: +86-755-8981 8866 Fax: +86-755-8427 6832

Email & Skype: info@chipsmall.com Web: www.chipsmall.com

Address: A1208, Overseas Decoration Building, #122 Zhenhua RD., Futian, Shenzhen, China





Specification of CHIP DIELECTRIC ANTENNA  
 SPEC No. :NAN68-PC0332F  
 Part Number :ANCW12G45SAA117TT1/RD3

Written by S. Ito  
 Checked by Y. Kushihi  
 Date 19/Mar./2003

\*\*\*: TT1: Bulk package / RD3: 3000pcs/reel

A>: Rev. by J.K on 5<sup>th</sup>/Dec/'03, B>: Rev. by R.I. on 8/Sep./04, C>: Rev. by R.I. on 30/Nov./04, D>: Rev. by R.I. on 1/Dec./04  
 E>: Rev. by R.I. on 24/Dec./04, F>: Rev. by E.M. on 19/Jan./05

1. Electrical Characteristics

A>

Operation Temp	-40 to +85 degree C
Polarization	Linear
Frequency (Fo)	2450MHz.
Band Width (BW)	F0 +/- 50MHz.
V.S.W.R at BW	2.5 max.
Impedance	50 Ω

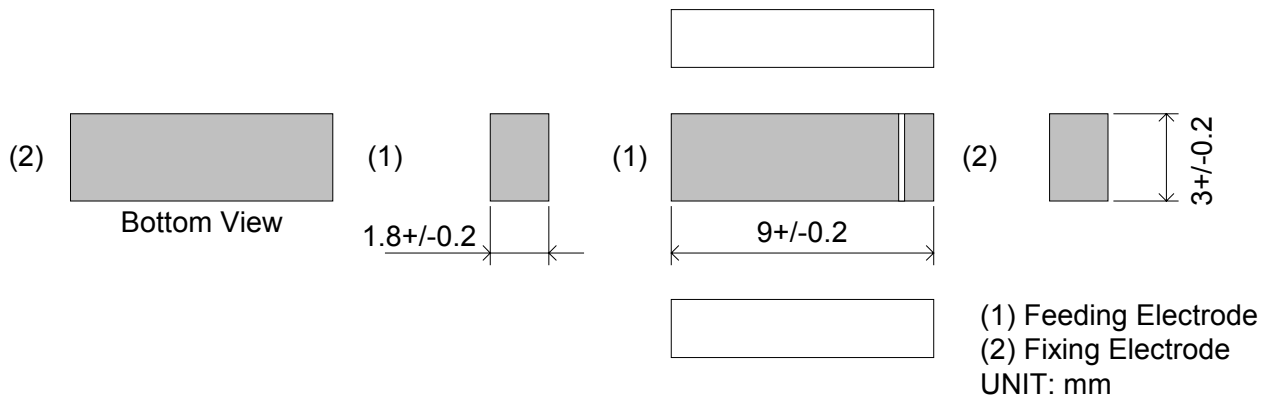
Note 1: This electrical characteristics are influenced by the land pattern, PCB size, case and so on.

Note 2: This electrical characteristics are guaranteed with our standard measurement conditon which is used our standard land pattern and PCB in Section 2.2 and 2.3.

2. Mechanical

2.1.Dimensions

A>B>F>



A>C> Matching Circuit

Application	2.4GHz W-LAN / BT	PHS
Matching Circuit		
Frequency (Fo)	2425MHz.	1913MHz
Band Width (BW)	225MHz (VSWR < 3)	100MHz (VSWR < 3)

Note 1: This electrical characteristics are guaranteed with our standard measurement conditon which is used our standard land pattern and PCB in Section 2.2 and 2.3.

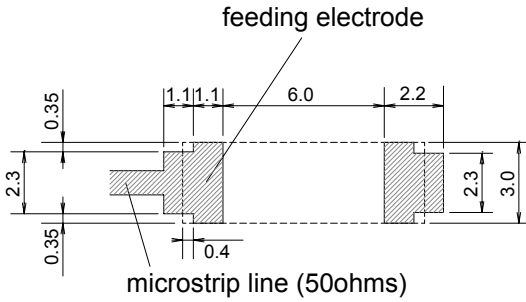
Preliminary Specification of CHIP DIELECTRIC ANTENNA  
 Preliminary SPEC No. :NAN68-PC0332F  
 Part Number :ANCW12G45SAA117TT1/RD3

Written by S. Ito  
 Checked by Y. Kushihi  
 Date 19/Mar./2003

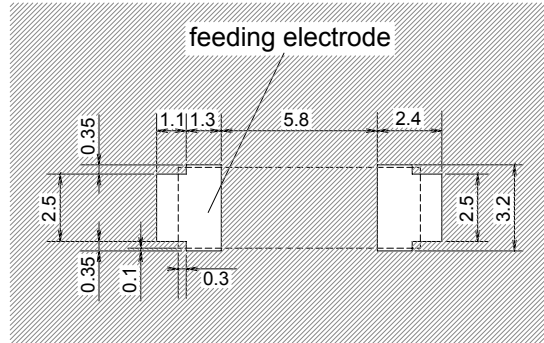
\*\*\*: TT1: Bulk package / RD3: 3000pcs/reel

A>: Rev. by J.K on 5<sup>th</sup>/Dec/'03, B>: Rev. by R.I. on 8/Sep./04, C>: Rev. by R.I. on 30/Nov./04, D>: Rev. by R.I. on 1/Dec./04  
 E>: Rev. by R.I. on 24/Dec./04, F>: Rev. by E.M. on 19/Jan./05

2.2. Standard lands pattern and resist pattern  
 A>



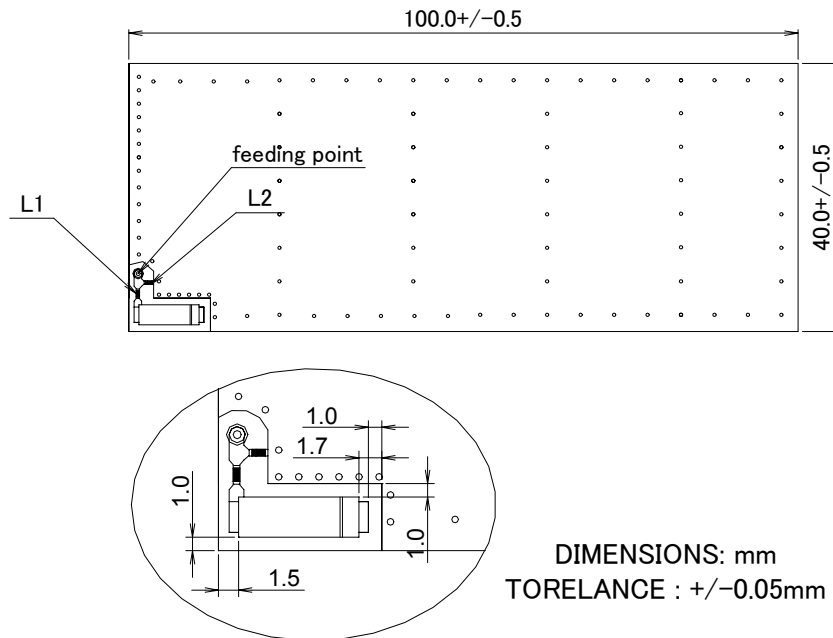
recommended land pattern of PCB



recommended solder-resist pattern

DIMENSIONS : mm  
 TOLERANCE : +/-0.05mm

2.3. Standard PCB  
 A>F>



DIMENSIONS: mm  
 TORELANCE : +/-0.05mm

Substrate : FR-4 (Both Printed)  
 Thickness : 1.0mm (Thickness of copper isb 0.035mm )