



Chipsmall Limited consists of a professional team with an average of over 10 year of expertise in the distribution of electronic components. Based in Hongkong, we have already established firm and mutual-benefit business relationships with customers from,Europe,America and south Asia,supplying obsolete and hard-to-find components to meet their specific needs.

With the principle of “Quality Parts,Customers Priority,Honest Operation,and Considerate Service”,our business mainly focus on the distribution of electronic components. Line cards we deal with include Microchip,ALPS,ROHM,Xilinx,Pulse,ON,Everlight and Freescale. Main products comprise IC,Modules,Potentiometer,IC Socket,Relay,Connector.Our parts cover such applications as commercial,industrial, and automotives areas.

We are looking forward to setting up business relationship with you and hope to provide you with the best service and solution. Let us make a better world for our industry!



## Contact us

Tel: +86-755-8981 8866 Fax: +86-755-8427 6832

Email & Skype: info@chipsmall.com Web: www.chipsmall.com

Address: A1208, Overseas Decoration Building, #122 Zhenhua RD., Futian, Shenzhen, China



# FLEXIBLE NFC ANTENNA WITH FERRITE



ANFCA-101-2515-A02



25 x 15 mm  
RoHS/RoHS II Compliant  
MSL = MSL-1

## FEATURES

- Ultra thin flexible antenna structure (220+/-46µm)
- Peel and Stick antenna designs
- Ferrite sheet backing optimizes magnetic fields
- Wide operating temperature range -40°C to +85°C
- Matched to leading NFC controller IC's
- Customized solutions available

## APPLICATIONS

- IoT devices
- NFC payment readers
- Healthcare ID scanners
- NFC data loggers transport
- Ticketing systems
- Electronic parking payments
- Industrial data collection

## ELECTRICAL CHARACTERISTICS

Item	Spec
Operating Frequency (MHz)	13.56
Inductance (µH)	1.8±10%
RAC (Ω)	4.75±20%
Test Condition	1 MHz/500mV
Operating Temperature Range	-40°C to + 85°C

Test equipment: TH2828S.



ANFCA-101-2515-A02



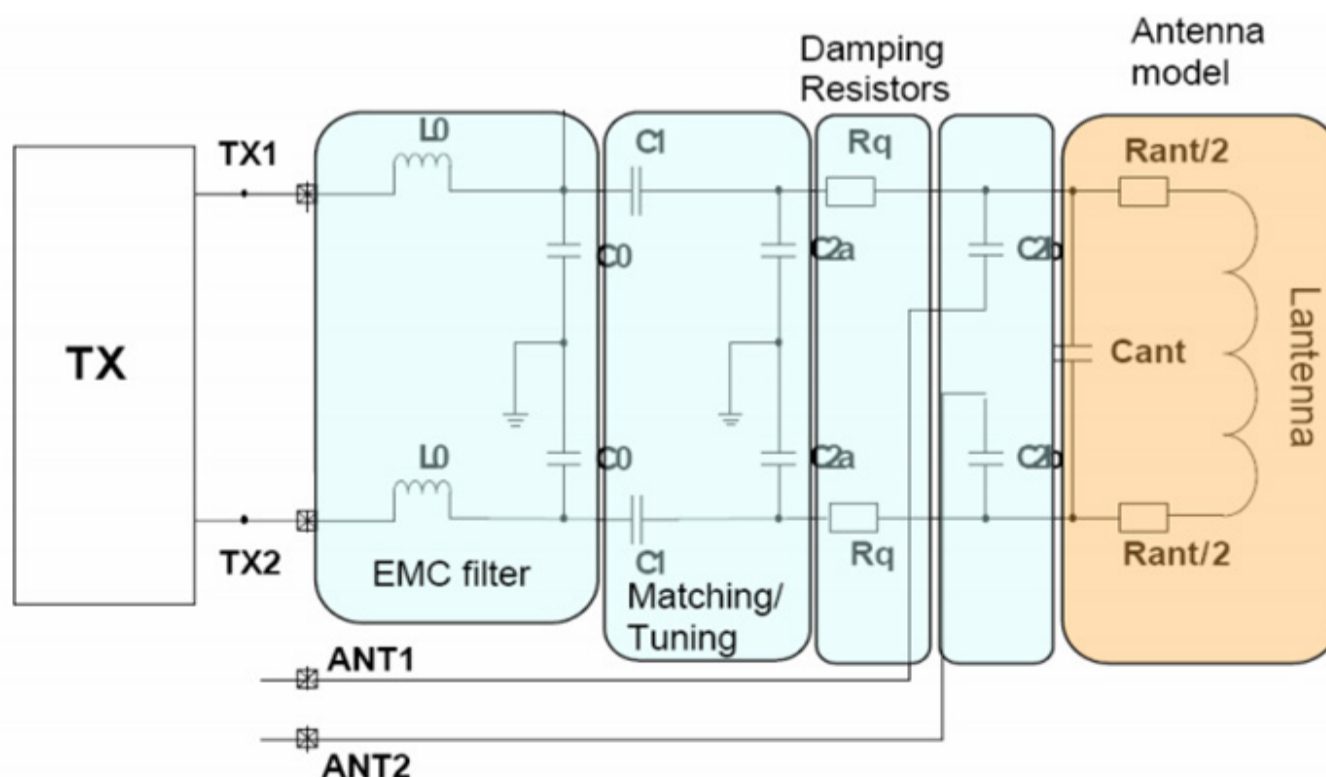
25 x 15 mm  
RoHS/RoHS II Compliant  
MSL=MSL-1

## MATCHING CIRCUIT AND REFERENCE VALUES

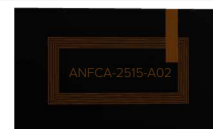
Component	Value for reference only (1)	Notes
L0	560 / 330nH NXP / Broadcom)	EMC filter resonance at 15.4MHz (NXP) and 20.6MHz (Broadcom).
C0	180pF	EMC filter resonance at 15.4MHz (NXP) and 20.6MHz (Broadcom).
C1	33pF	Antenna matching component, to achieve series resonance at 13.56MHz. (Note: Antenna matching component value may need optimization depending upon antenna environment)
C2 (Includes C2a and C2b values)	82pF	Antenna matching component, to achieve parallel resonance at 15MHz. (Note: Antenna matching component value may need optimization depending upon antenna environment).
Rq	0 Ohm	Damping resistor, the Rq resistor used to lower Q-value if above 35 Ohm, if needed.

Note (1) Values can change depending upon drive circuits, design of the antenna and environment.

Matching Circuit







ANFCA-101-2515-A02



25 x 15 mm  
RoHS/RoHS II Compliant  
MSL=MSL-1

## MATCHING NETWORKS

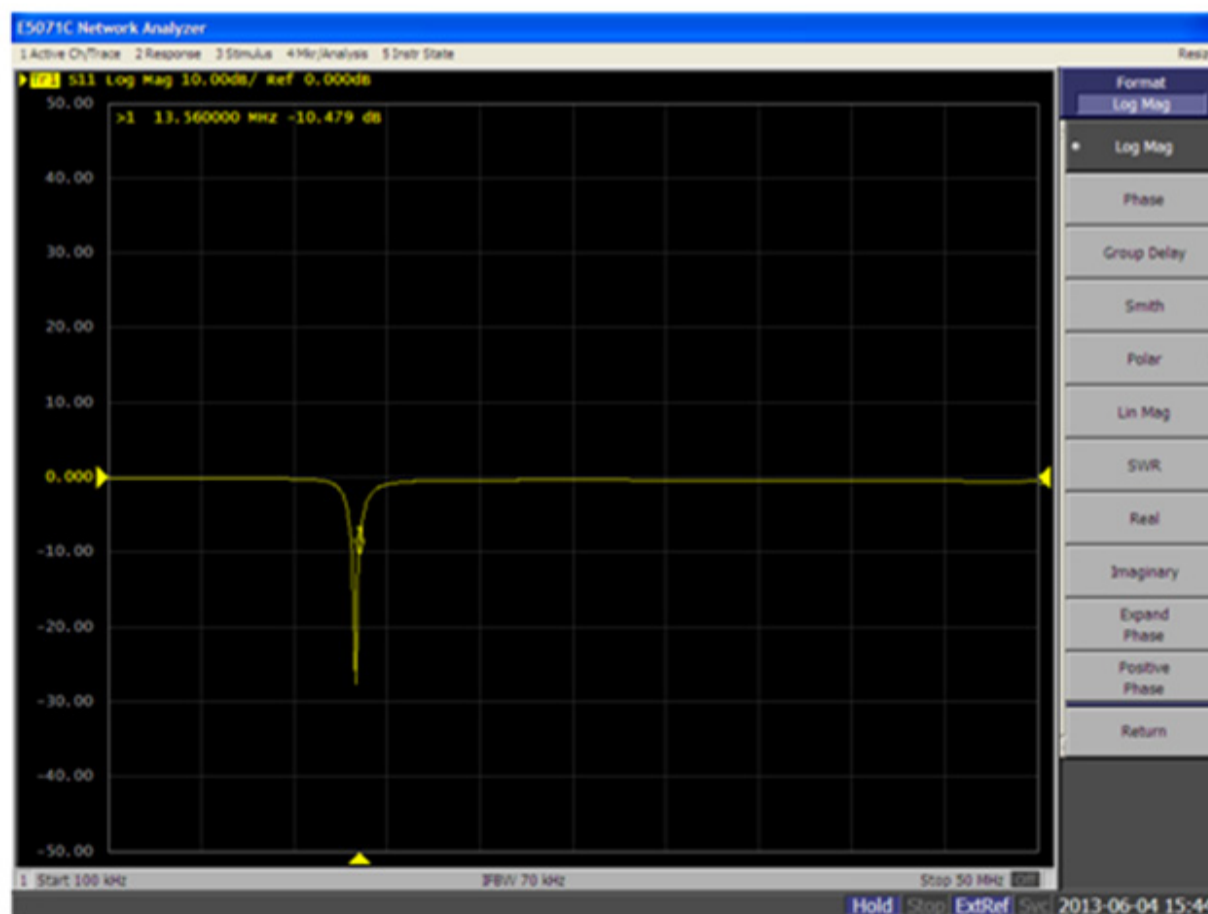
Several conditions apply when matching:

- Environment of the design.
- Placement of Antenna
  - The antenna should be placed as close to the matching network as possible
  - How close the NFC antenna is placed to other metalwork and other coils within the design.
- Antenna design
  - Optimization of the matching network is likely to be needed and this should be done with the antenna in the desired position.
- NFC normally operates from 1 to 4cm between devices. Final optimization of the matching circuit should be completed to ensure compliance.
- Designers need to consider interoperability with other devices. The antenna and matching network contribute to best interoperability.

## CONNECTION TO THE PCB

While soldering thin wires to the pads on the antenna is possible, great care must be taken, (see manual soldering Section 10.1). However it is recommended to make contact to the antenna pads via Pogo Pins. These are soldered onto the product PCB, and interface mechanically via a pressure contact to the pads on the NFC antenna. Volume applications using the NFC antenna should always use Pogo Pins to make the connections.

## ANTENNA RESPONSE – RETURN LOSS



# FLEXIBLE NFC ANTENNA WITH FERRITE

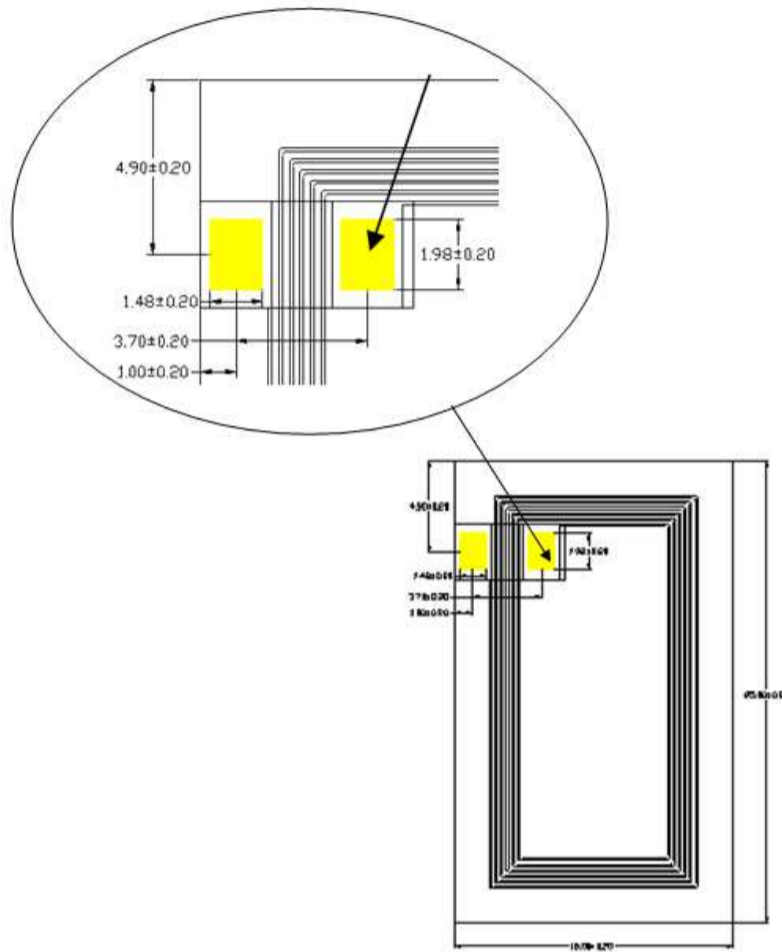


ANFCA-101-2515-A02



25 x 15 mm  
RoHS/RoHS II Compliant  
MSL=MSL-1

## OUTSIDE DIMENSIONS



(Dimensions in mm)

## CONSTRUCTION

Construction materials and thickness

No	Material Name	Thickness ( $\mu\text{m}$ )	Thickness (in)
1	PET Tape	10+/-3	0.000393±0.000118
2	Ferrite Sheet	100+/-5	0.00393±0.000196
3	Adhesive Tape	10+/-3	0.000393±0.000118
4	FCP	70+/-30	0.00275±0.000118
5	Adhesive Tape	30+/-5	0.00118±0.000196
6	Release Paper	/	/
Total Thickness		220+/-46	0.00866±0.00181

# FLEXIBLE NFC ANTENNA WITH FERRITE



ANFCA-101-2515-A02



25 x 15 mm  
RoHS/RoHS II Compliant  
MSL=MSL-1

## REFLOW PROFILE:

---

Not recommended for reflow soldering.

## MANUAL SOLDERING

---

Recommended Soldering iron temperature setting: 330°C, 3 seconds max, 3 times max.

## PACKAGING:

---

100pcs per polyphene bag / box