



Chipsmall Limited consists of a professional team with an average of over 10 year of expertise in the distribution of electronic components. Based in Hongkong, we have already established firm and mutual-benefit business relationships with customers from,Europe,America and south Asia,supplying obsolete and hard-to-find components to meet their specific needs.

With the principle of "Quality Parts,Customers Priority,Honest Operation,and Considerate Service",our business mainly focus on the distribution of electronic components. Line cards we deal with include Microchip,ALPS,ROHM,Xilinx,Pulse,ON,Everlight and Freescale. Main products comprise IC,Modules,Potentiometer,IC Socket,Relay,Connector.Our parts cover such applications as commercial,industrial, and automotives areas.

We are looking forward to setting up business relationship with you and hope to provide you with the best service and solution. Let us make a better world for our industry!



## Contact us

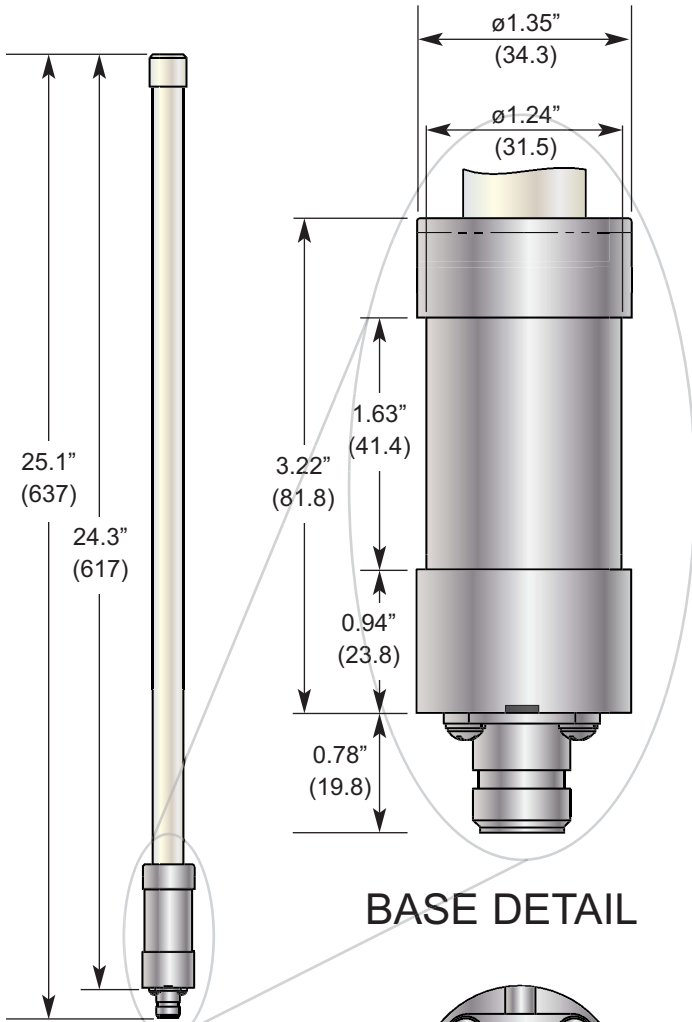
Tel: +86-755-8981 8866 Fax: +86-755-8427 6832

Email & Skype: info@chipsmall.com Web: www.chipsmall.com

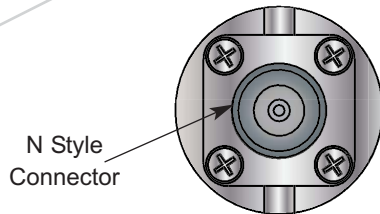
Address: A1208, Overseas Decoration Building, #122 Zhenhua RD., Futian, Shenzhen, China



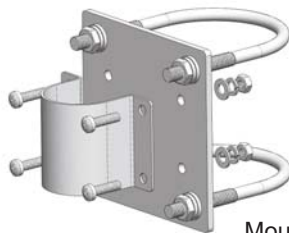
### Product Dimensions



BASE DETAIL



N Style Connector



Mounting Hardware (Included)

### Description



The OM Series of gain antennas are designed to increase the range and reliability of wireless links while maintaining an omnidirectional pattern around the circumference of the antenna. This characteristic allows for greater flexibility in the placement of system devices than is often found in typical gain antenna solutions. OM Series antennas also feature rugged, weatherized construction making them well suited for both indoor and outdoor applications. The antenna includes complete mounting hardware for standard masts. The standard antenna features 7dBi gain. Higher gain versions are available upon request.

\*NOTE\* Use of these antennas may result in TX and RX emission levels in excess of legal limits.

### Features

- High gain
- Fiberglass radome construction
- Fully weatherized
- Rugged & damage-resistant
- N connector

### Electrical Specifications

- Center Freq. 2.45GHz
- Bandwidth 83MHz (2400 - 2483)
- Polarization Vertical
- VSWR  $\leq 1.5$  typ. at center
- Impedance 50 ohms
- Gain 7dBi
- Beamwidth 360° horizontal, 13° vertical
- Max. Power 20W
- Connector N-style female
- Mounting 2-pc bracket with U-bolts, 1.58"-1.97"(40-50mm) mast
- Weight 3.3lbs (1.5kg)
- Wind Velocity 124mph (56m/s)

### Ordering Information

- ANT-2.4-OM-CM-01-N  
Visit [connectorcity.com](http://connectorcity.com) for cable assemblies

### VSWR Graph

