



Chipsmall Limited consists of a professional team with an average of over 10 year of expertise in the distribution of electronic components. Based in Hongkong, we have already established firm and mutual-benefit business relationships with customers from,Europe,America and south Asia,supplying obsolete and hard-to-find components to meet their specific needs.

With the principle of “Quality Parts,Customers Priority,Honest Operation,and Considerate Service”,our business mainly focus on the distribution of electronic components. Line cards we deal with include Microchip,ALPS,ROHM,Xilinx,Pulse,ON,Everlight and Freescale. Main products comprise IC,Modules,Potentiometer,IC Socket,Relay,Connector.Our parts cover such applications as commercial,industrial, and automotives areas.

We are looking forward to setting up business relationship with you and hope to provide you with the best service and solution. Let us make a better world for our industry!



Contact us

Tel: +86-755-8981 8866 Fax: +86-755-8427 6832

Email & Skype: info@chipsmall.com Web: www.chipsmall.com

Address: A1208, Overseas Decoration Building, #122 Zhenhua RD., Futian, Shenzhen, China



2.4GHz Mini-Stubby Antenna

Features

- 1/4 Wave Monopole Antenna
- 21mm long
- Rugged Flexible Plastic Finish.
- VSWR ≤ 2.0
- Omni-Directional Design
- 50ohm Impedance
- SMA-Plug Fixing
- Nominal Gain 0dBi
- Available as Straight or R/A
- Operating Temp -20 to $+60^{\circ}\text{C}$
- Insulation resistance $500\text{M}\Omega$ @ 500Vdc



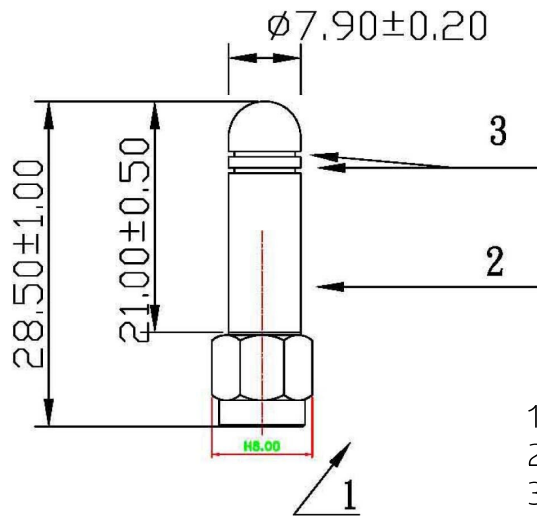
Applications

- WiFi Applications
- General Low Power Radio
- M2M Applications

Ordering Information

PART No	Description
ANT-24G-S21-SMA	Stubby Antenna straight SMA
ANT-24G-S21-SMAR	Stubby Antenna R/A SMA
ANT-24G-S21-SMP	Stubby Antenna straight SMA Reverse Polarity
ANT-24G-S21-SMRP	Stubby Antenna R/A SMA Reverse Polarity

ANT-24G-S21-SMA 'Straight' Mechanical Data

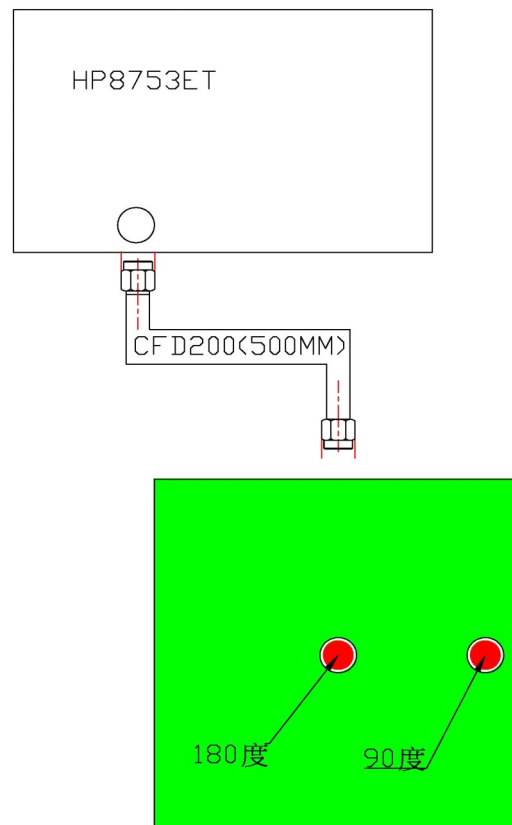


1. SMA Connector : Gold Plated Brass
2. Antenna Cover: Black TPU
3. Identification Stripes

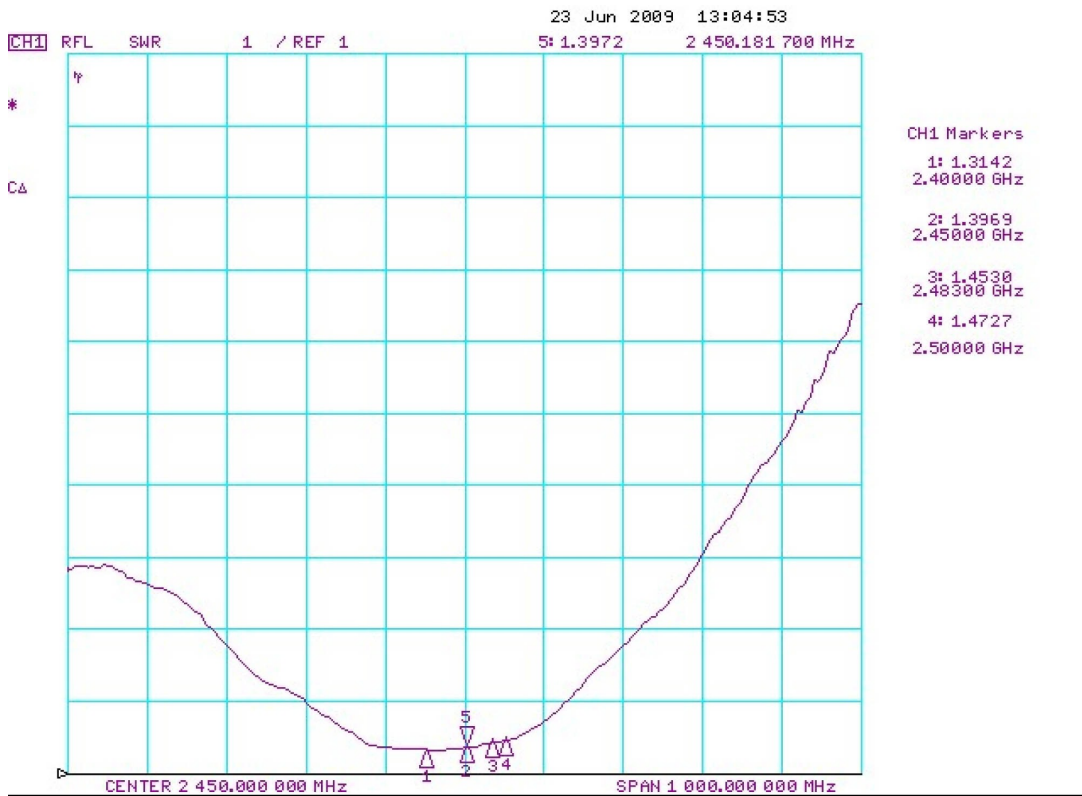
Test Setup for Measurements

Characteristics for this antenna were taken with the following conditions:

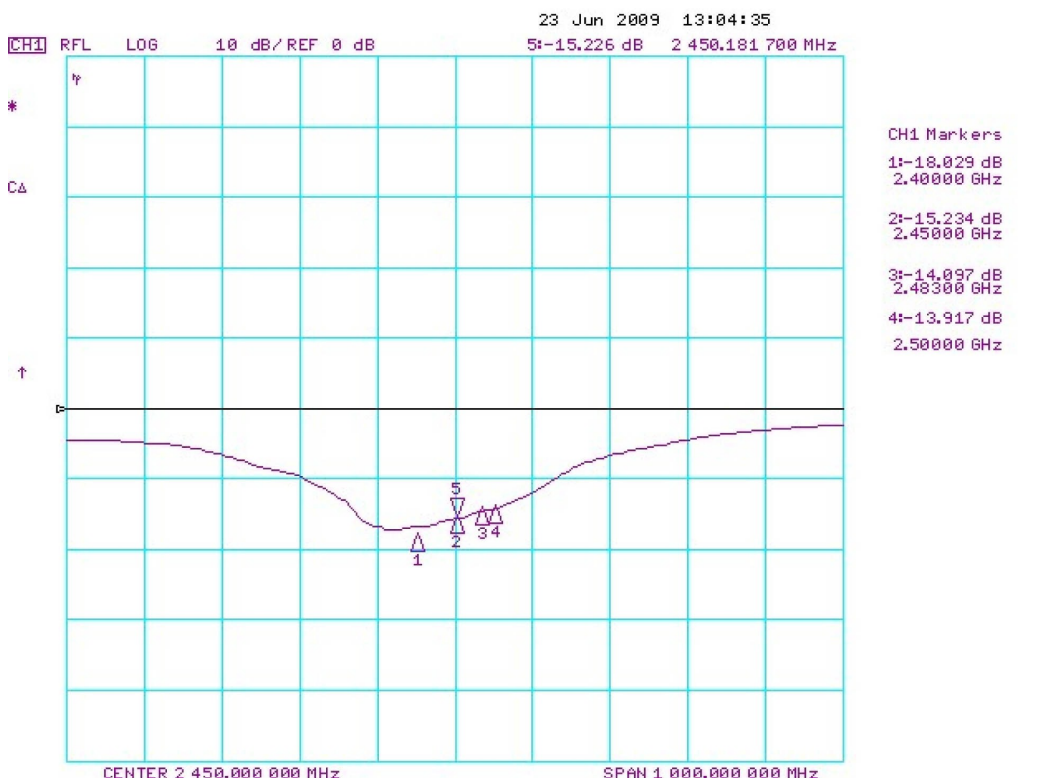
1. Antenna mounted on a ground plane 100x100mm.
2. Measurement Equipment: HP 8753ET 300KHZ~6 GHZ



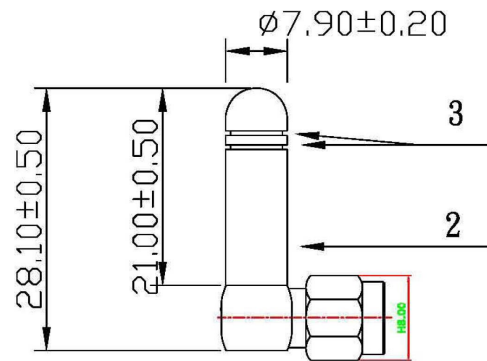
VSWR



Return Loss



ANT-24G-S21-SMAR 'Right Angled' Mechanical Data



1. SMA Connector : Gold Plated Brass
2. Antenna Cover: Black TPU
3. Identification Stripes

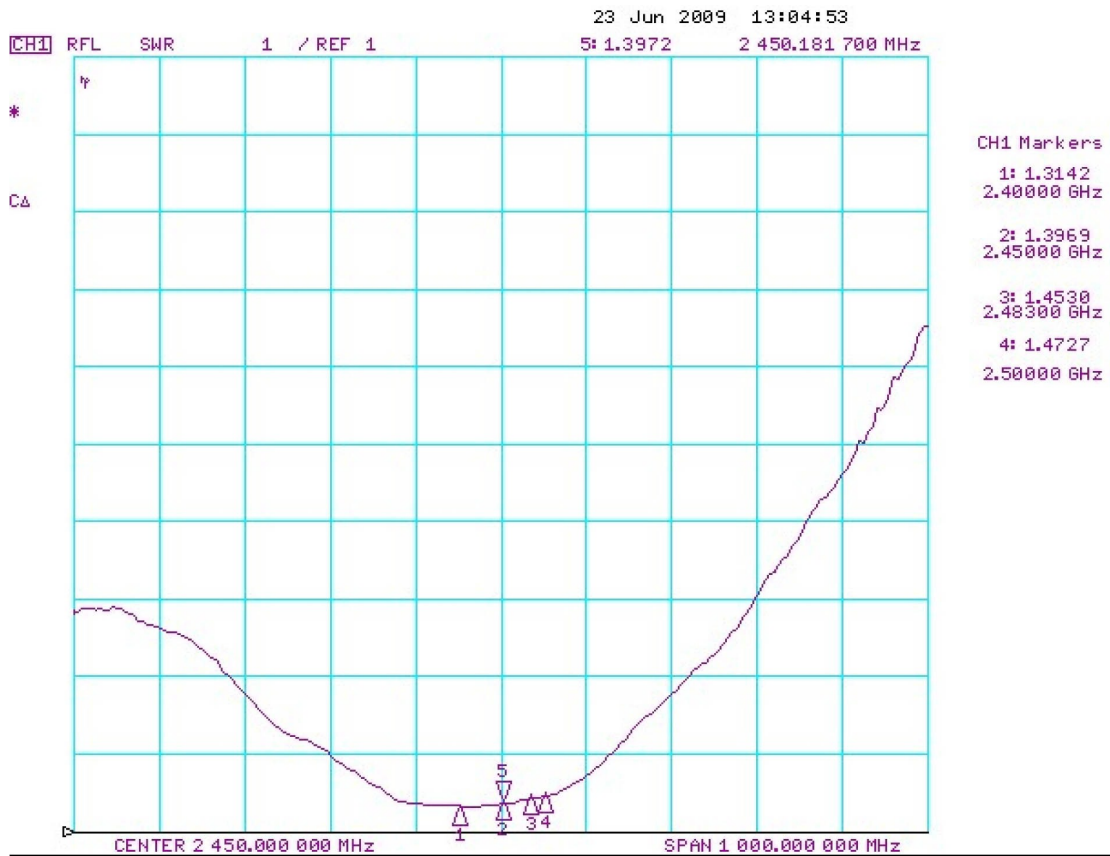
Test Setup for Measurements

Characteristics for this antenna were taken with the following conditions:

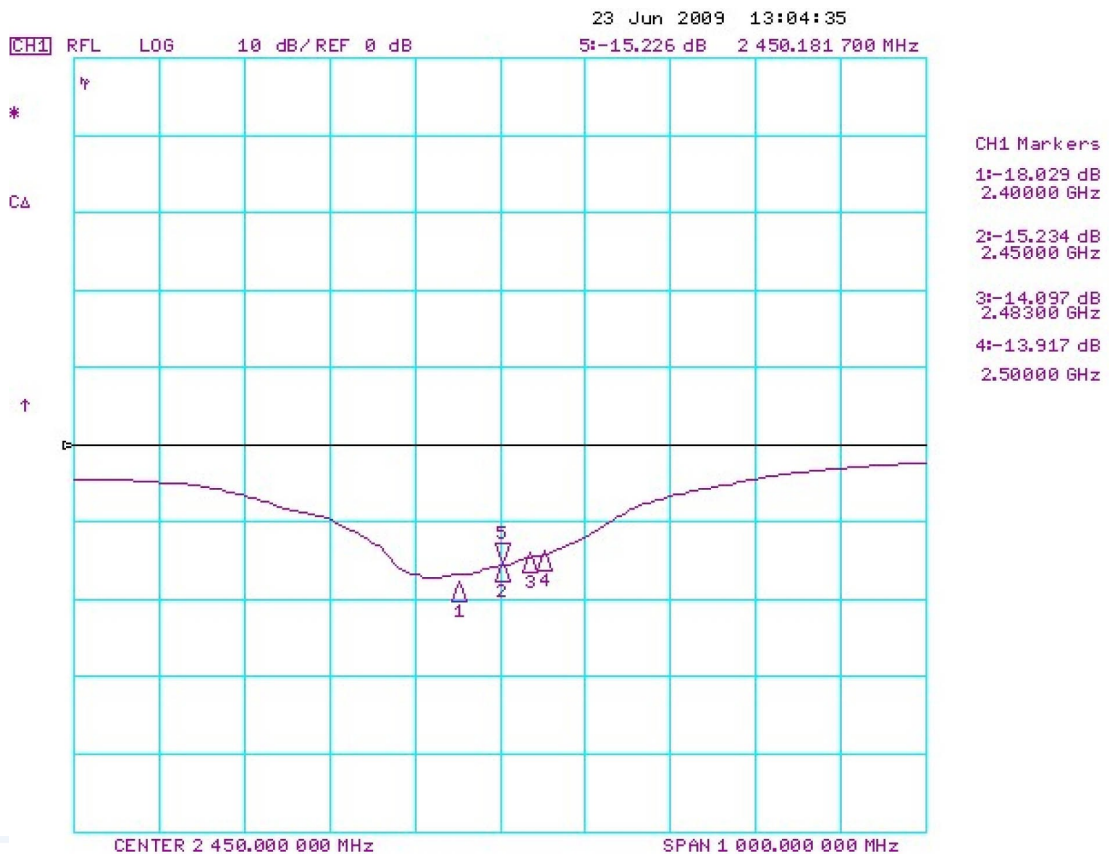
1. Antenna mounted on a ground plane 100x100mm.
2. Measurement Equipment: HP 8753ET 300KHZ-6 GHZ



VSWR

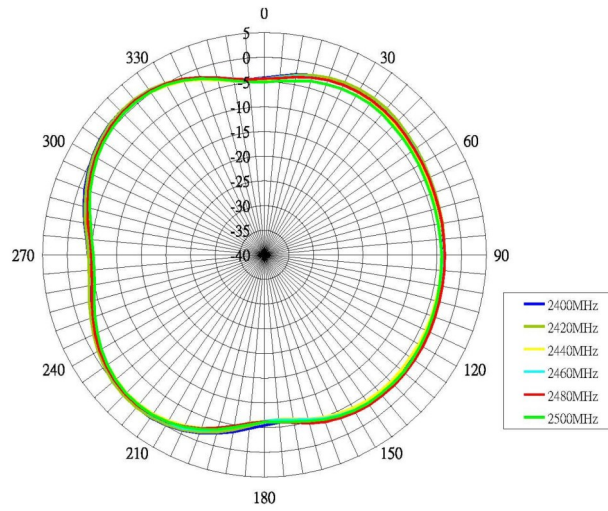


Return Loss

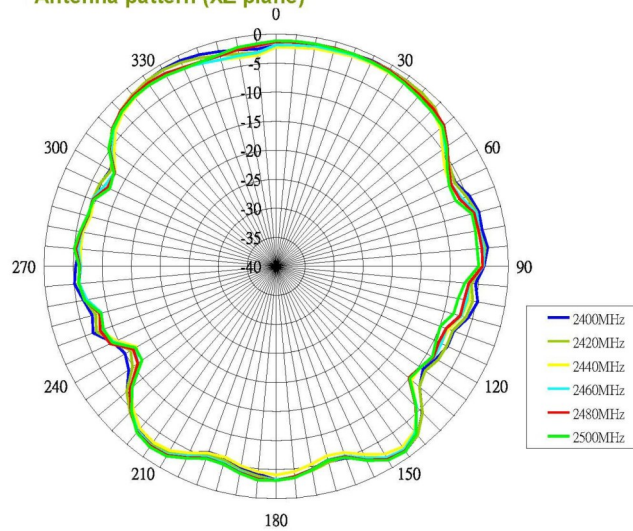


Antenna Pattern

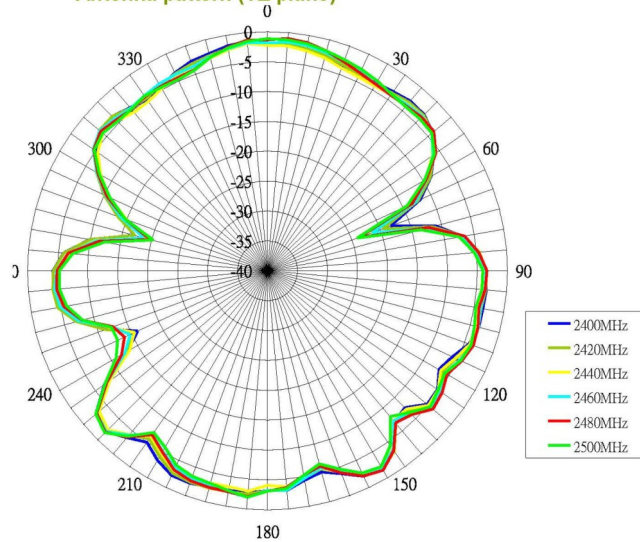
Antenna pattern (XY plane)



Antenna pattern (XZ plane)



Antenna pattern (YZ plane)



Ordering Information : Standard Polarity

For clarification below is an image of the standard Polarity. This has a male pin in the antenna (Part No: ANT-24G-S21-SMAR)



Ordering Information : Reverse Polarity

For clarification below is an image of the standard Polarity—This has no pin in the antenna!



RF Solutions Ltd. Recycling Notice

Meets the following EC Directives:

DO NOT

Discard with normal waste, please recycle.

ROHS Directive 2002/95/EC

Specifies certain limits for hazardous substances.

WEEE Directive 2002/96/EC

Waste electrical & electronic equipment. This product must be disposed of through a licensed WEEE collection point. RF Solutions Ltd., fulfils its WEEE obligations by membership of an approved compliance scheme.

Disclaimer:

Whilst the information in this document is believed to be correct at the time of issue, R.F.Solutions Ltd does not accept any liability whatsoever for its accuracy, adequacy or completeness. No express or implied warranty or representation is given relating to the information contained in this document. R.F.Solutions Ltd reserves the right to make changes and improvements to the product(s) described herein without notice. Buyers and other users should determine for themselves the suitability of any such information or products for their own particular requirements or specification(s). R.F.Solutions Ltd shall not be liable for any loss or damage caused as a result of user's own determination of how to deploy or use R.F.Solutions Ltd's products. Use of R.F.Solutions Ltd products or components in life support and/or safety applications is not authorised except with express written approval. No licences are created, implicitly or otherwise, under any of R.F.Solutions Ltd's intellectual property rights. Liability for loss or damage resulting or caused by reliance on the information contained herein or from the use of the product (including liability resulting from negligence or where R.F.Solutions Ltd was aware of the possibility of such loss or damage arising) is excluded. This will not operate to limit or restrict R.F.Solutions Ltd's liability for death or personal injury resulting from its negligence.