



Chipsmall Limited consists of a professional team with an average of over 10 year of expertise in the distribution of electronic components. Based in Hongkong, we have already established firm and mutual-benefit business relationships with customers from,Europe,America and south Asia,supplying obsolete and hard-to-find components to meet their specific needs.

With the principle of “Quality Parts,Customers Priority,Honest Operation,and Considerate Service”,our business mainly focus on the distribution of electronic components. Line cards we deal with include Microchip,ALPS,ROHM,Xilinx,Pulse,ON,Everlight and Freescale. Main products comprise IC,Modules,Potentiometer,IC Socket,Relay,Connector.Our parts cover such applications as commercial,industrial, and automotives areas.

We are looking forward to setting up business relationship with you and hope to provide you with the best service and solution. Let us make a better world for our industry!



Contact us

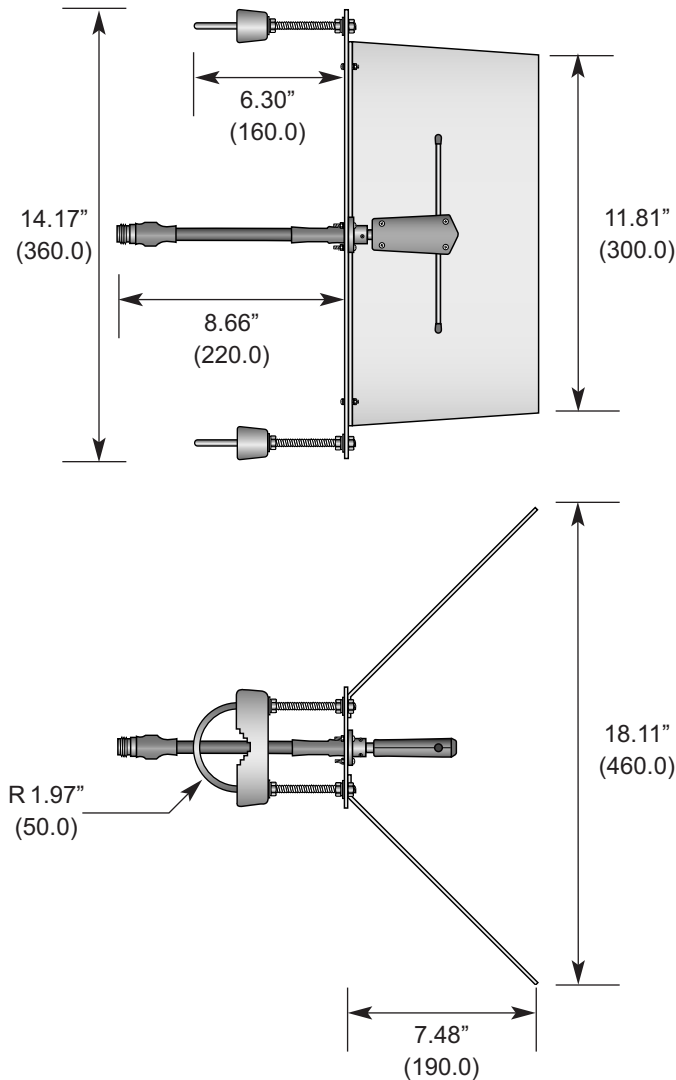
Tel: +86-755-8981 8866 Fax: +86-755-8427 6832

Email & Skype: info@chipsmall.com Web: www.chipsmall.com

Address: A1208, Overseas Decoration Building, #122 Zhenhua RD., Futian, Shenzhen, China



Product Dimensions



Description



CN Series corner antennas feature a wide >70MHz bandwidth, 25dB front-to-back ratio, high gain and a wide beamwidth. These rugged antennas are constructed to withstand the stress of long-term use. They are designed for 50-ohm system matches with a maximum input of 100W.

NOTE Use of these antennas may result in TX and RX emission levels in excess of legal limits.

Features

- High gain
- Stainless steel construction
- Fully weatherized
- Rugged & damage-resistant
- RG-8/U cable with female N connector

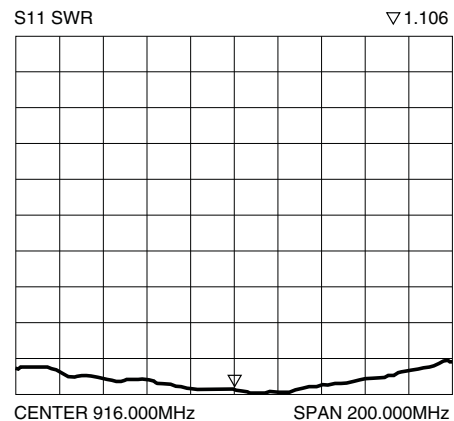
Electrical Specifications

- Center Freq. 916MHz
- Bandwidth 72MHz
- Polarization Vertical
- VSWR ≤ 1.5 typ. at center
- Impedance 50 ohms
- F/B Ratio ≥ 25 dB
- Gain 10.2dBi
- Beamwidth 58° horizontal, 52° vertical
- Max. Power 100W
- Connector N-style female
- Weight 2.6lbs (1.2kg)
- Wind Velocity 134.2mph (60m/s)

Ordering Information

- ANT-916-CN-N

VSWR Graph



Typical VSWR