



Chipsmall Limited consists of a professional team with an average of over 10 year of expertise in the distribution of electronic components. Based in Hongkong, we have already established firm and mutual-benefit business relationships with customers from,Europe,America and south Asia,supplying obsolete and hard-to-find components to meet their specific needs.

With the principle of "Quality Parts,Customers Priority,Honest Operation,and Considerate Service",our business mainly focus on the distribution of electronic components. Line cards we deal with include Microchip,ALPS,ROHM,Xilinx,Pulse,ON,Everlight and Freescale. Main products comprise IC,Modules,Potentiometer,IC Socket,Relay,Connector.Our parts cover such applications as commercial,industrial, and automotives areas.

We are looking forward to setting up business relationship with you and hope to provide you with the best service and solution. Let us make a better world for our industry!



## Contact us

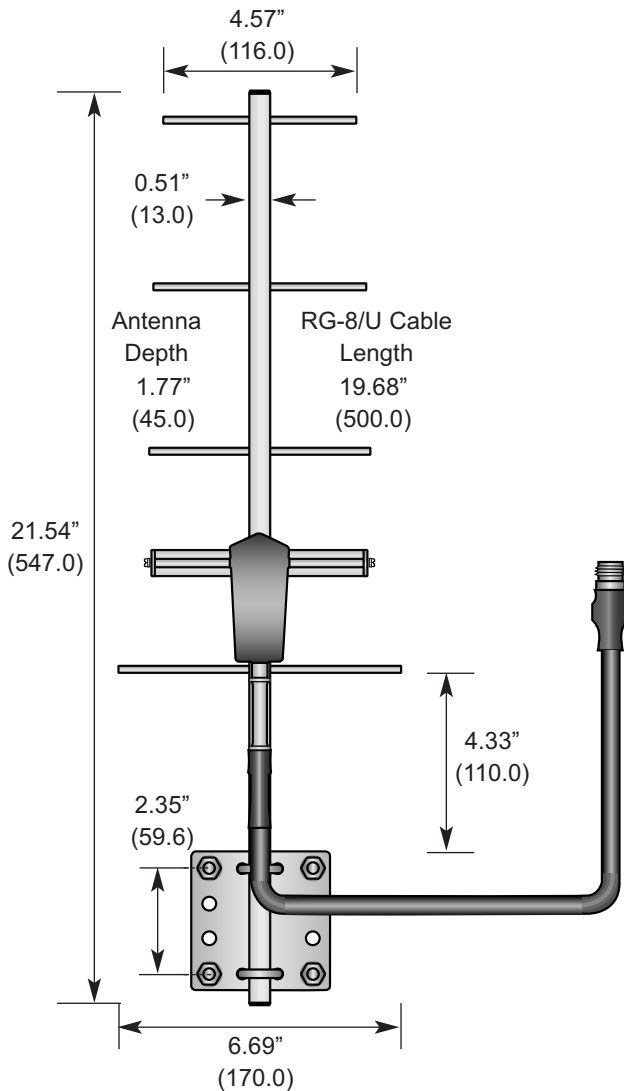
Tel: +86-755-8981 8866 Fax: +86-755-8427 6832

Email & Skype: info@chipsmall.com Web: www.chipsmall.com

Address: A1208, Overseas Decoration Building, #122 Zhenhua RD., Futian, Shenzhen, China



### Product Dimensions



### Description



The YG Series of Yagi antennas are designed for long-distance directional communication and can greatly enhance the performance of RF links. Made of stainless steel and featuring sturdy mast mounts, these rugged antennas are constructed to withstand the stress of long-term use. All antennas are designed for 50-ohm system matches with maximum inputs of 100W.

\*NOTE\* Use of these antennas may result in TX and RX emission levels in excess of legal limits.

### Features

- High gain
- Stainless steel construction
- Fully weatherized
- Rugged & damage-resistant
- RG-8/U cable with female N connector

### Electrical Specifications

- Center Freq. 916MHz
- Bandwidth 70MHz
- Polarization Vertical or horizontal
- VSWR  $\leq 1.5$  typ. at center
- Impedance 50 ohms
- F/B Ratio  $\geq 14$ dB
- Gain 9dBi
- Beamwidth  $54^\circ$  horizontal,  $48^\circ$  vertical
- Max. Power 100W
- Connector N-style female
- Weight 1.5lbs (0.7kg)
- Wind Velocity 134.2mph (60m/s)

### Ordering Information

- ANT-916-YG5-N

### VSWR Graph

