



Chipsmall Limited consists of a professional team with an average of over 10 year of expertise in the distribution of electronic components. Based in Hongkong, we have already established firm and mutual-benefit business relationships with customers from,Europe,America and south Asia,supplying obsolete and hard-to-find components to meet their specific needs.

With the principle of “Quality Parts,Customers Priority,Honest Operation,and Considerate Service”,our business mainly focus on the distribution of electronic components. Line cards we deal with include Microchip,ALPS,ROHM,Xilinx,Pulse,ON,Everlight and Freescale. Main products comprise IC,Modules,Potentiometer,IC Socket,Relay,Connector.Our parts cover such applications as commercial,industrial, and automotives areas.

We are looking forward to setting up business relationship with you and hope to provide you with the best service and solution. Let us make a better world for our industry!



Contact us

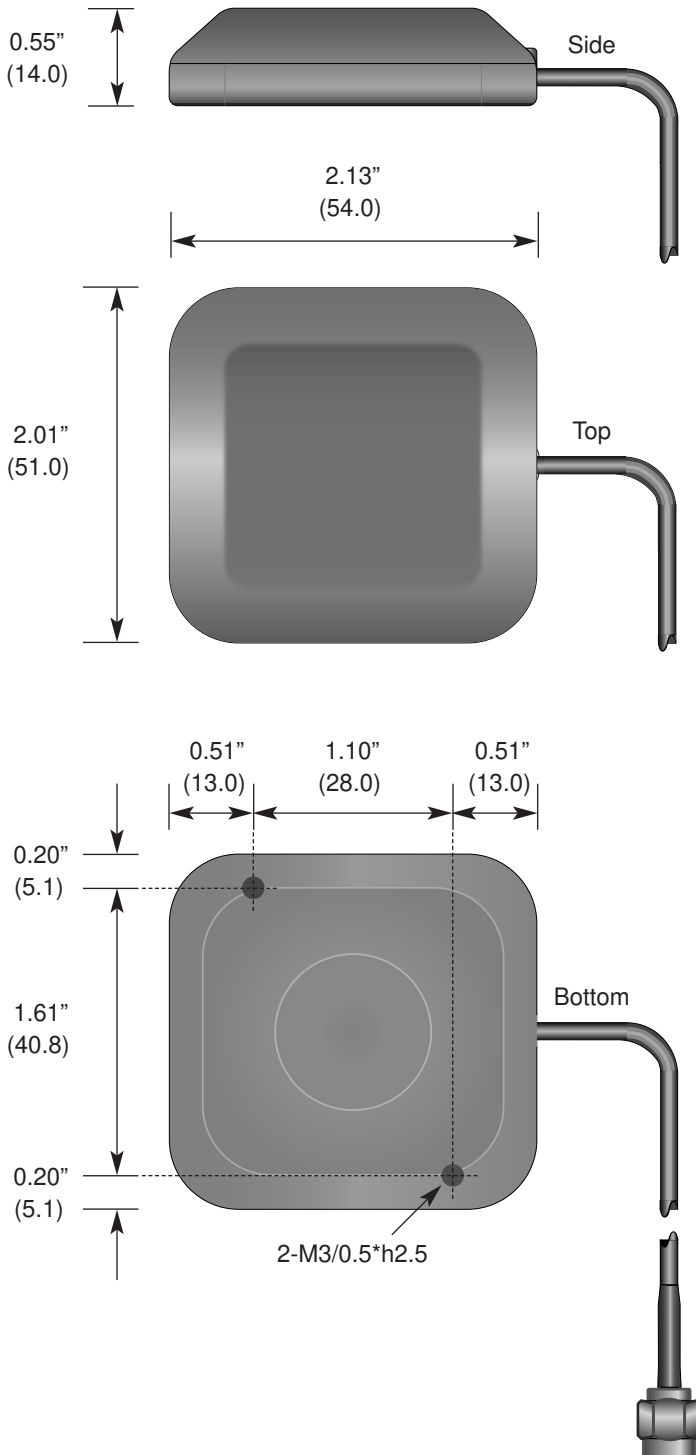
Tel: +86-755-8981 8866 Fax: +86-755-8427 6832

Email & Skype: info@chipsmall.com Web: www.chipsmall.com

Address: A1208, Overseas Decoration Building, #122 Zhenhua RD., Futian, Shenzhen, China



Product Dimensions



Description



Linx SE GPS antennas deliver high-gain and low-noise performance in a rugged and cosmetically attractive package. They feature a wide operating temperature, wide operating voltage, and very low current consumption. The antennas attach via a standard SMA, Part 15 compliant RP-SMA, or MCX connector

Features

- Compact
- High-gain, low-noise design
- Very low current consumption
- Wide operating voltage
- Wide operating temperature
- Fully weatherized
- Rugged & damage-resistant
- Magnetic or screw mount

Electrical Specifications

- Center Freq. 1575.42MHz
- Freq. Tolerance +/-1.1MHz
- Impedance 50 ohms
- VSWR 2 maximum
- Ant. Gain 90° 3.0dBi
- Polarization RHCP
- System Gain 26-33dBi
- Noise 1.8dB maximum
- Input Voltage 3.3-5.0 VDC
- Power Consum. 4-9mA
- Oper. Temp. -40°F to +185°F (-40°C to +85°C)
- Mounting Magnetic or screw
- Cable RG-174U
- Cable Length 117" +/-6" (3m)
- Connector RP-SMA, SMA, MCX

Ordering Information

- ANT-GPS-SE-RPS (with RP-SMA connector)
- ANT-GPS-SE-SMA (with SMA connector)
- ANT-GPS-SE-MCX (with MCX connector)