



Chipsmall Limited consists of a professional team with an average of over 10 year of expertise in the distribution of electronic components. Based in Hongkong, we have already established firm and mutual-benefit business relationships with customers from,Europe,America and south Asia,supplying obsolete and hard-to-find components to meet their specific needs.

With the principle of “Quality Parts,Customers Priority,Honest Operation,and Considerate Service”,our business mainly focus on the distribution of electronic components. Line cards we deal with include Microchip,ALPS,ROHM,Xilinx,Pulse,ON,Everlight and Freescale. Main products comprise IC,Modules,Potentiometer,IC Socket,Relay,Connector.Our parts cover such applications as commercial,industrial, and automotives areas.

We are looking forward to setting up business relationship with you and hope to provide you with the best service and solution. Let us make a better world for our industry!



Contact us

Tel: +86-755-8981 8866 Fax: +86-755-8427 6832

Email & Skype: info@chipsmall.com Web: www.chipsmall.com

Address: A1208, Overseas Decoration Building, #122 Zhenhua RD., Futian, Shenzhen, China



ANT-GPS-SH-xxx

Data Sheet

Product Description

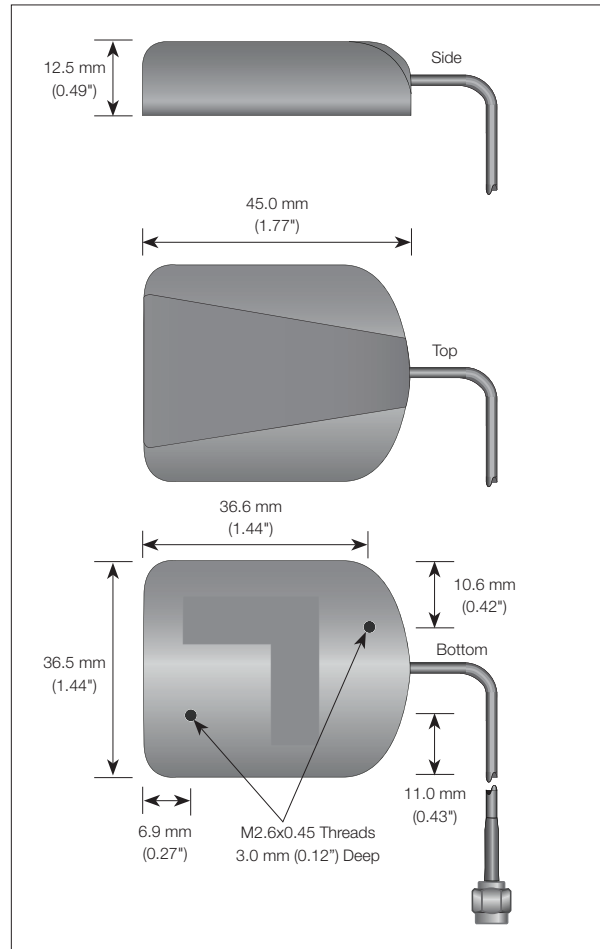
The SH Series is the flagship of the Antenna Factor GPS line. These high-performance GPS antennas combine superior performance, advanced operational and protection features, and low power consumption. This makes them ideal for telematics, fleet management, navigation, tracking and other applications that require a compact, high-performance GPS antenna. For maximum compatibility with the host receiver, the SH accepts supply voltages from +2.5VDC to +12VDC and is protected against shorts, over current, or reverse polarity situations. The antennas attach via a SMA, MCX, MMCX or customer-specified connector.

Features

- Compact
- High-gain, low-noise design
- Low current consumption
- Wide operating voltage
- Protection circuit
- Wide operating temperature
- Fully weatherized
- Waterproof
- Rugged & damage-resistant
- Magnetic mount

Electrical Specifications

Center Frequency:	1575.42MHz
Bandwidth:	10MHz @ -3dB point
Impedance:	50-ohms
VSWR:	1.5 typ.
Ant. Gain:	5.0dB min.
Axial Ratio:	1.0dB typ.
Elev. Angle Cov.:	5–90 degrees
Az. Bearing Cov.:	360 degrees
Polarization:	RHCP
System Gain:	28dB (typ. includes 4dB cable & filter loss)
Noise Figure:	<1.8dB @ fo, 2dB max.
Input Voltage:	+2.5VDC to +12VDC (Autoswitch)



Electrical Specifications Cont.

Current:	5–10mA typ. @ 5V (11–13mA max. @ 12V)
Oper. Temp. Range:	–30°C to +85°C
Mounting:	Magnetic and/or screw
Cable:	RG-174U (Low-loss, 0.7dB/m)
Cable Length:	117" +/-6" (3m)
Connector:	SMA, MCX, MMCX, other by special order
Weight:	3.32oz (94g)

Ordering Information

ANT-GPS-SH-SMA (with SMA connector)
ANT-GPS-SH-MCX (with MCX connector)
ANT-GPS-SH-MMX (with MMCX connector)