



Chipsmall Limited consists of a professional team with an average of over 10 year of expertise in the distribution of electronic components. Based in Hongkong, we have already established firm and mutual-benefit business relationships with customers from,Europe,America and south Asia,supplying obsolete and hard-to-find components to meet their specific needs.

With the principle of “Quality Parts,Customers Priority,Honest Operation,and Considerate Service”,our business mainly focus on the distribution of electronic components. Line cards we deal with include Microchip,ALPS,ROHM,Xilinx,Pulse,ON,Everlight and Freescale. Main products comprise IC,Modules,Potentiometer,IC Socket,Relay,Connector.Our parts cover such applications as commercial,industrial, and automotives areas.

We are looking forward to setting up business relationship with you and hope to provide you with the best service and solution. Let us make a better world for our industry!



Contact us

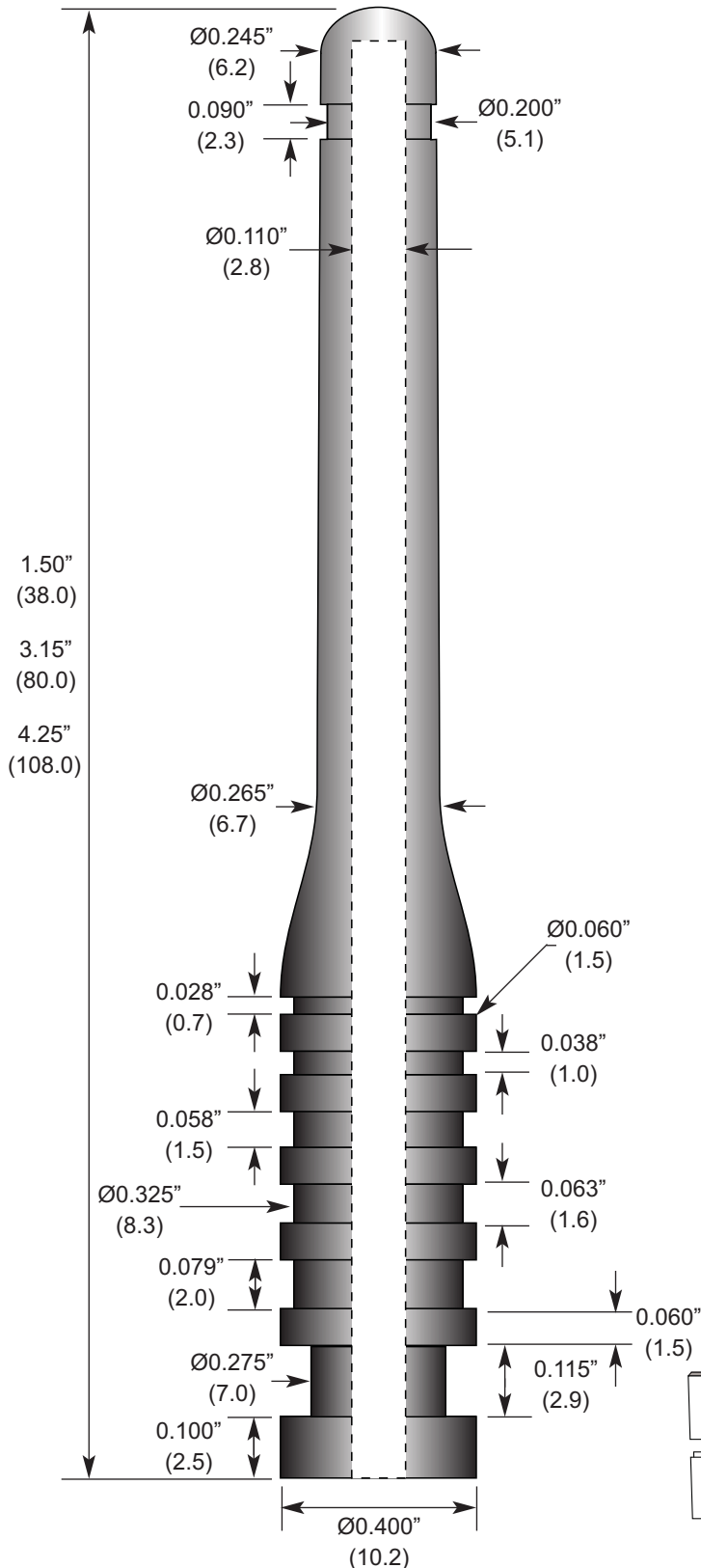
Tel: +86-755-8981 8866 Fax: +86-755-8427 6832

Email & Skype: info@chipsmall.com Web: www.chipsmall.com

Address: A1208, Overseas Decoration Building, #122 Zhenhua RD., Futian, Shenzhen, China



Product Dimensions



Description



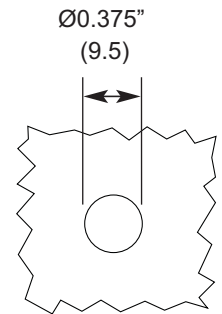
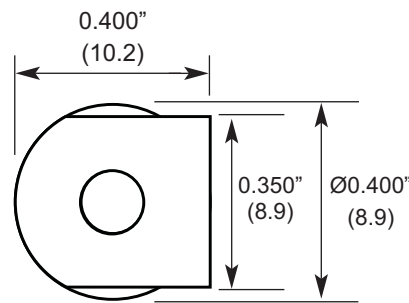
These low-cost sleeves provide your customer with the ruggedness and cosmetic appeal of expensive whip antennas, but are hollow to cover the low-cost internal element of a user's choosing, such as a wire, rod, or flexible shaft. The sleeve is designed to allow a wide range of mounting options in metal or plastic housings of various thicknesses. Ant-Skins can also reduce your parts inventory since a wide range of frequency lengths can be accommodated by a single sleeve.

Features

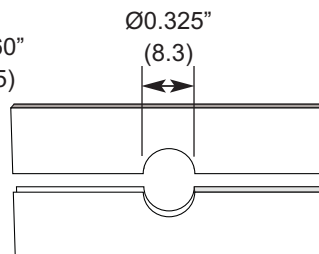
- Recesses provided to accommodate six different enclosure thicknesses by simply pulling the Ant-Skin through the case until it is in the correct position
- Generous cavity to accommodate many different elements, including flexible cable, wire, or rod
- Squared base for permanent spin-proof mounting option
- Cost-effective
- Gives cosmetically attractive, professional appearance

Ordering Information

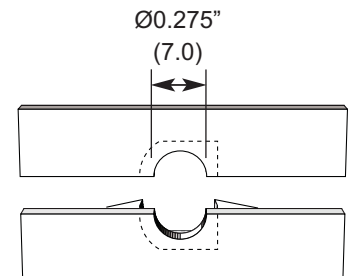
- ANT-SKN-V1-1.50 (1.5" antenna cover)
- ANT-SKN-V1-3.15 (3.15" antenna cover)
- ANT-SKN-V1-4.25 (4.25" antenna cover)



Hole



Clamp



Molded Slot