



Chipsmall Limited consists of a professional team with an average of over 10 year of expertise in the distribution of electronic components. Based in Hongkong, we have already established firm and mutual-benefit business relationships with customers from,Europe,America and south Asia,supplying obsolete and hard-to-find components to meet their specific needs.

With the principle of “Quality Parts,Customers Priority,Honest Operation,and Considerate Service”,our business mainly focus on the distribution of electronic components. Line cards we deal with include Microchip,ALPS,ROHM,Xilinx,Pulse,ON,Everlight and Freescale. Main products comprise IC,Modules,Potentiometer,IC Socket,Relay,Connector.Our parts cover such applications as commercial,industrial, and automotives areas.

We are looking forward to setting up business relationship with you and hope to provide you with the best service and solution. Let us make a better world for our industry!



Contact us

Tel: +86-755-8981 8866 Fax: +86-755-8427 6832

Email & Skype: info@chipsmall.com Web: www.chipsmall.com

Address: A1208, Overseas Decoration Building, #122 Zhenhua RD., Futian, Shenzhen, China



DATA SHEET

WIRELESS COMPONENTS

Ceramic Patch Antenna
ANT1010B00FT1575S

GPS

PIN 10 × 10 × 4 MM



FEATURES

- High radiation efficiency
- Pin-solder process
- RoHS compliant

APPLICATIONS

- Navigation device
- Telematics box
- Fleet management

ORDERING INFORMATION

All part numbers are identified by the series, packing type, material, size, antenna type, working frequency and packing quantity.

PART NUMBER

ANT 1010 B 00F T 1575S
 (1) (2) (3) (4) (5) (6)

(1) PRODUCT

ANT = Antenna

(2) SIZE

1010 = 10 × 10 mm

(3) ANTENNA TYPE

B = Bulk Antenna

(4) SERIAL NO.

00F

(5) PACKING STYLE

T = Tray

(6) WORKING FREQUENCY

1575 = 1.575 GHz

PHYCOMP CTC

CAN43934200F1581B

I2NC

43934200F158

SPECIFICATION

Table 1

DESCRIPTION	VALUE
Centre Frequency	1580 ± 3MHz
Bandwidth	5 MHz (Typ.)
Gain	-2.5 dBic (Typ.)
VSWR	2.0 Max.
Polarization	Right Hand Circular Polarization
Axis Ratio	≤ 3 dB
Impedance	50Ω
Operating Temperature	-40~105 °C

NOTE

1. Based on 30×30 mm² square ground plane.
2. Centre frequency will be offset to working frequency while changes of customer's housing and ground plane.
3. Please contact local sales if you need customized design to gain optimum antenna performance.

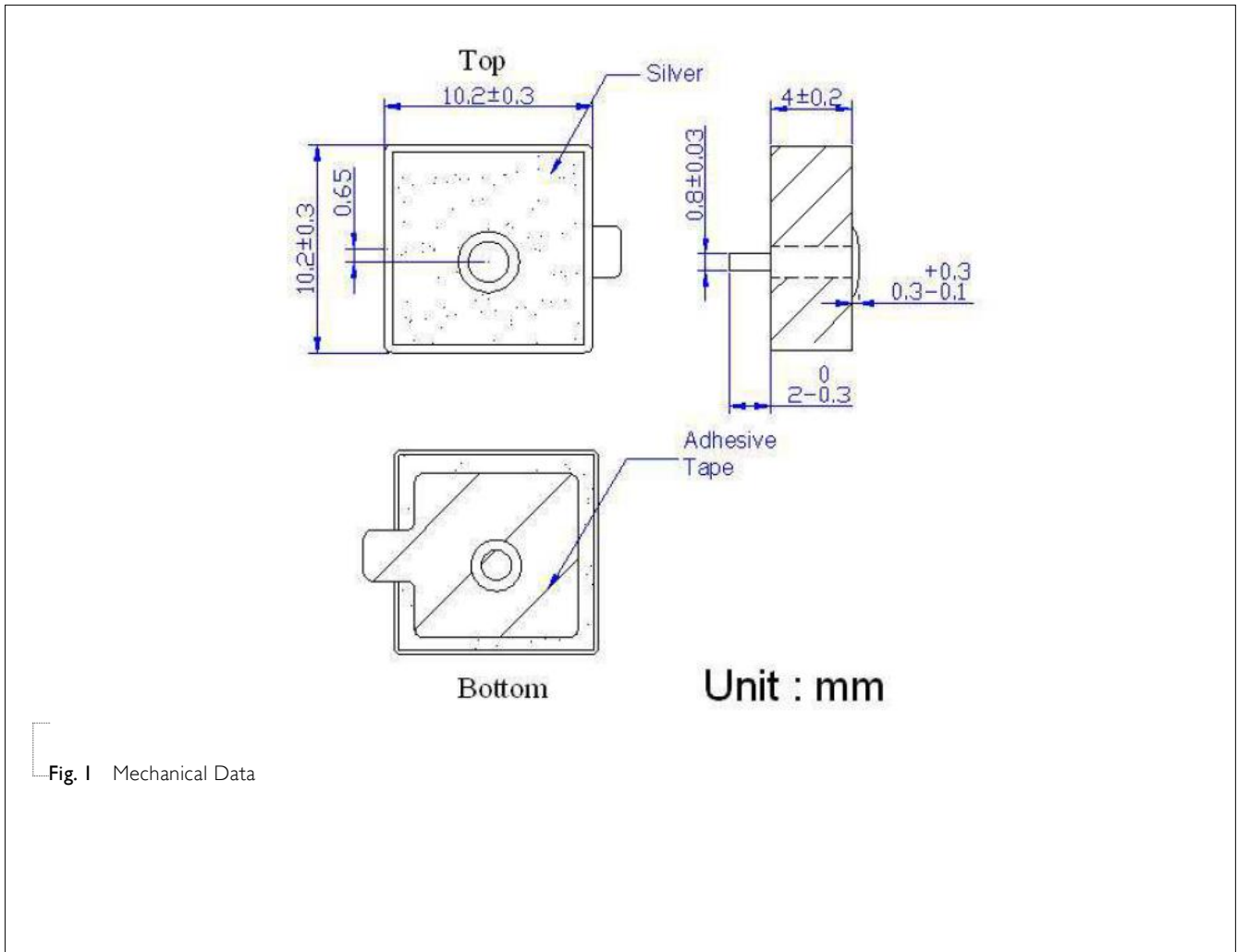
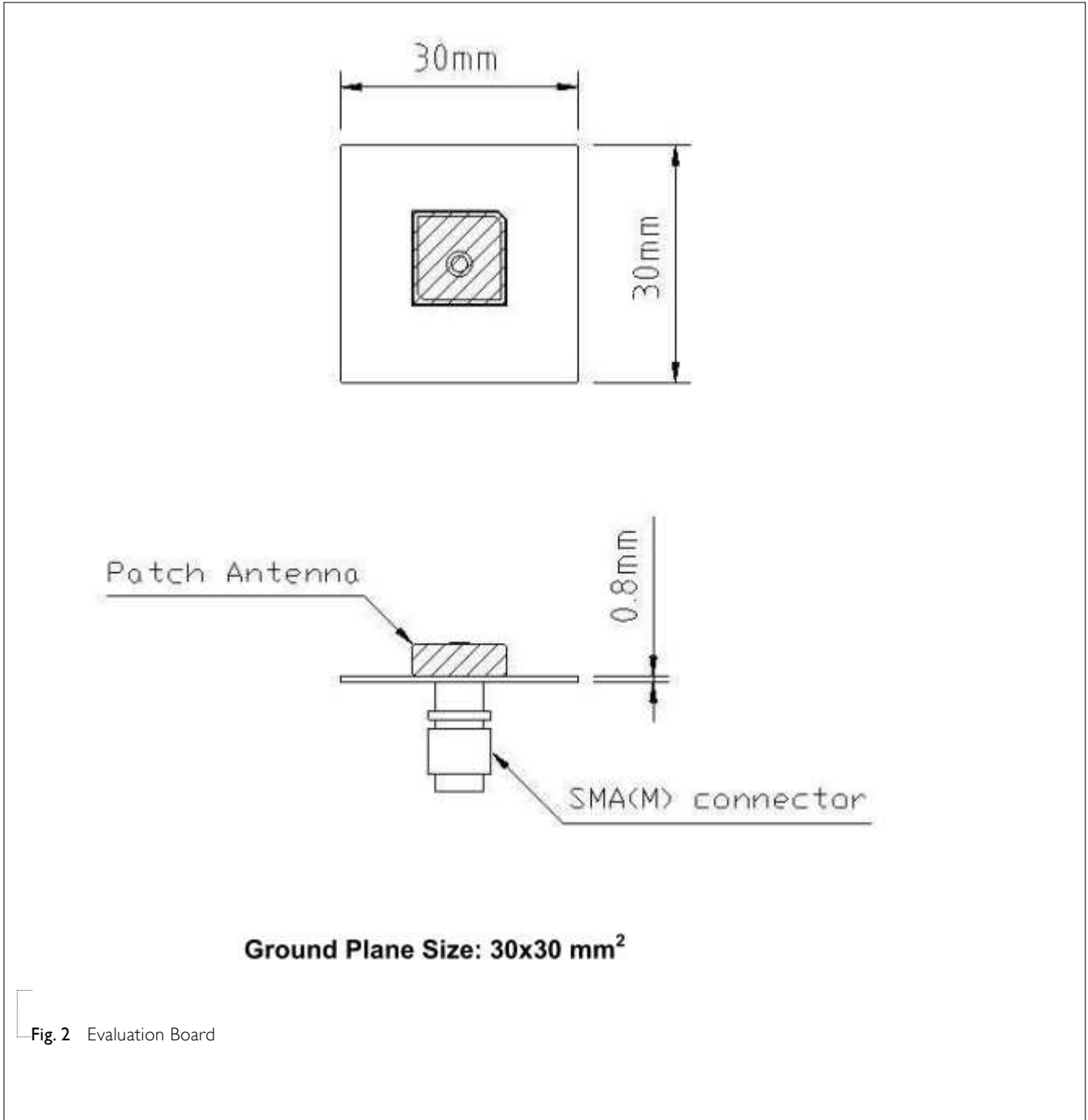
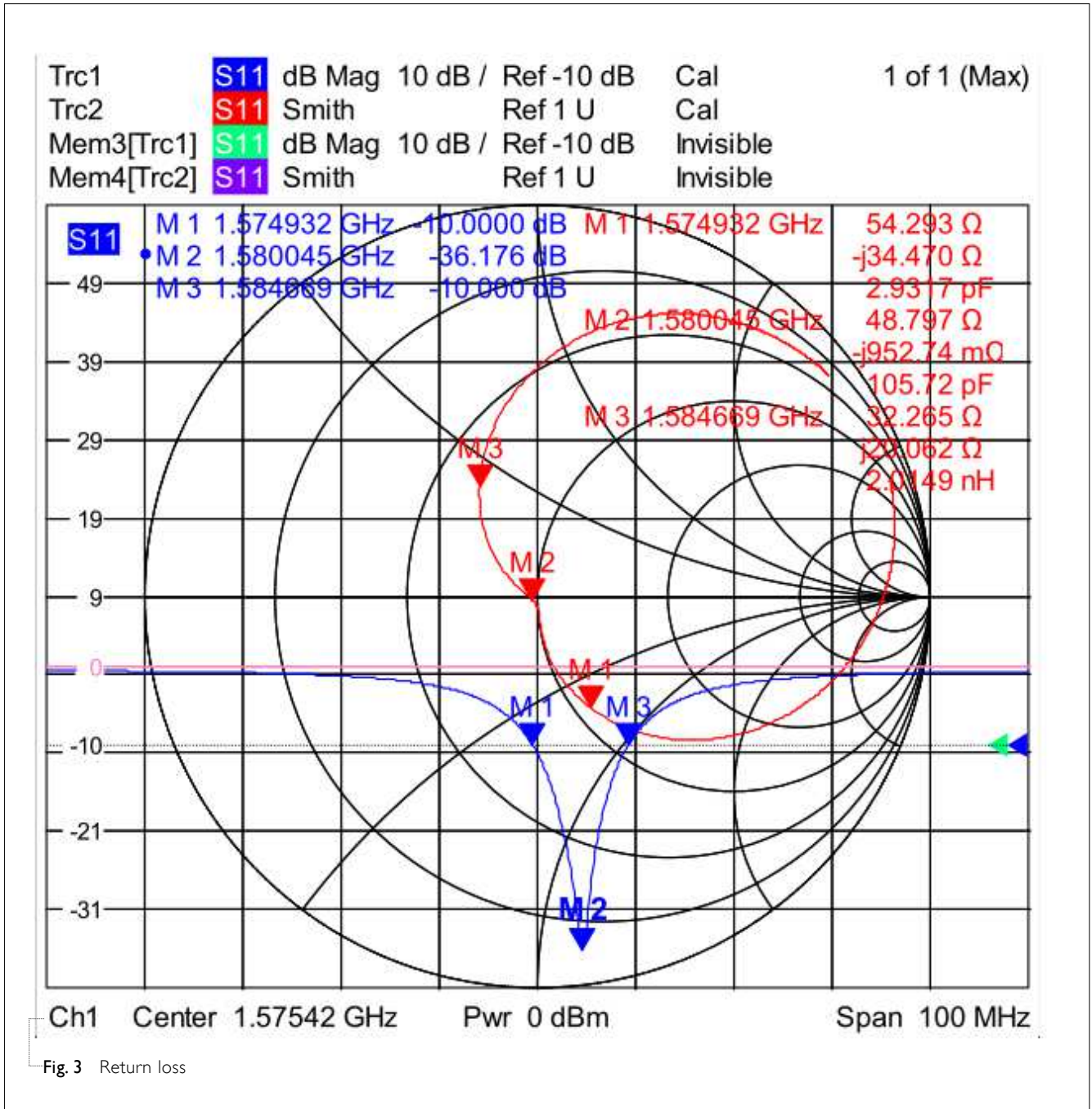
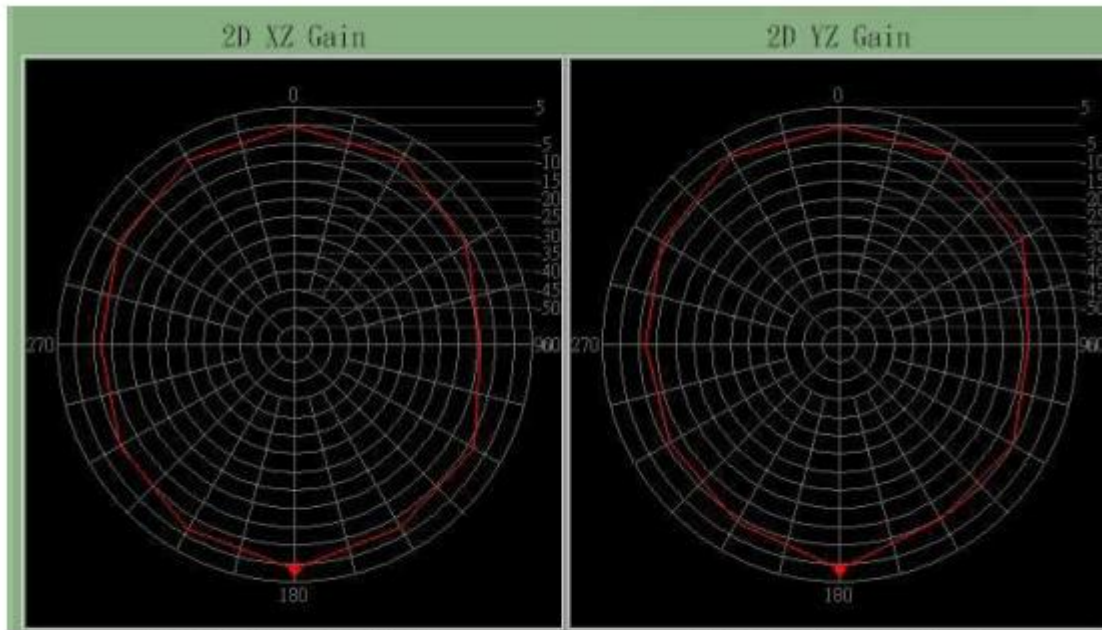


Fig. 1 Mechanical Data



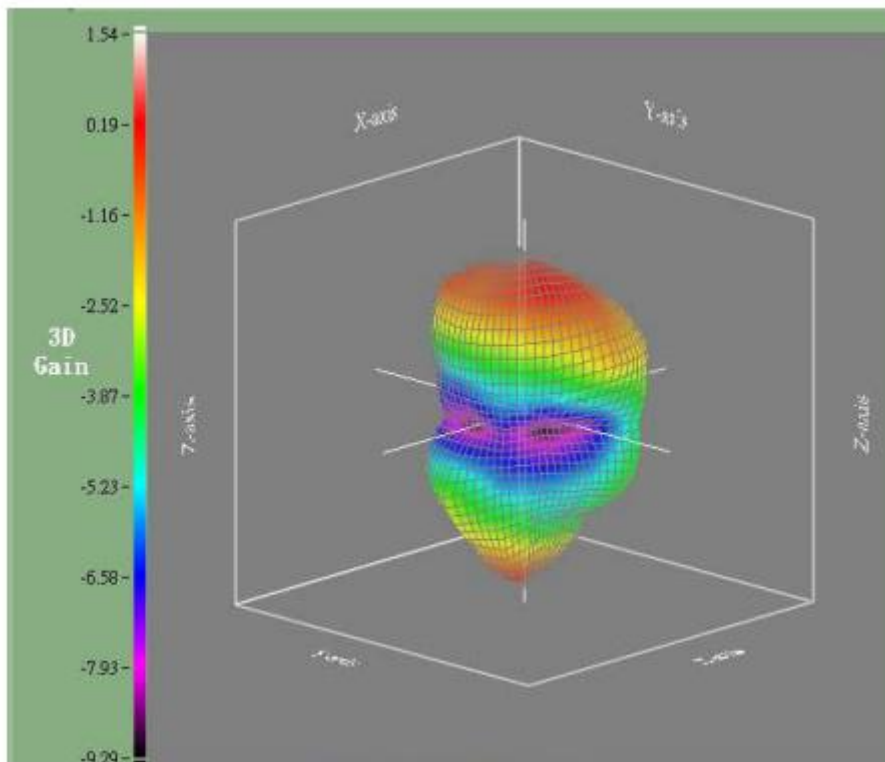
ELECTRICAL PERFORMANCES





2D x-z plane pattern

2D y-z plane pattern



3D radiation pattern

Fig. 4 Radiation Pattern (Frequency = 1580MHz)

REVISION HISTORY

<u>REVISION</u>	<u>DATE</u>	<u>CHANGE NOTIFICATION</u>	<u>DESCRIPTION</u>
-----------------	-------------	----------------------------	--------------------

Version 0	Aug. 12, 2016	-	- New data sheet for Patch antenna, PIN Feed size 10×10×4 mm
-----------	---------------	---	--