



Chipsmall Limited consists of a professional team with an average of over 10 year of expertise in the distribution of electronic components. Based in Hongkong, we have already established firm and mutual-benefit business relationships with customers from,Europe,America and south Asia,supplying obsolete and hard-to-find components to meet their specific needs.

With the principle of “Quality Parts,Customers Priority,Honest Operation,and Considerate Service”,our business mainly focus on the distribution of electronic components. Line cards we deal with include Microchip,ALPS,ROHM,Xilinx,Pulse,ON,Everlight and Freescale. Main products comprise IC,Modules,Potentiometer,IC Socket,Relay,Connector.Our parts cover such applications as commercial,industrial, and automotives areas.

We are looking forward to setting up business relationship with you and hope to provide you with the best service and solution. Let us make a better world for our industry!



## Contact us

Tel: +86-755-8981 8866 Fax: +86-755-8427 6832

Email & Skype: info@chipsmall.com Web: www.chipsmall.com

Address: A1208, Overseas Decoration Building, #122 Zhenhua RD., Futian, Shenzhen, China



# DATA SHEET

WIRELESS COMPONENTS

Ceramic Chip Antenna

ANT1204IL20R0433A

433MHZ

I204 Series



FEATURES

- Compact size
- Omni-directional Radiation
- Tape & reel automatic mounting
- Reflow process compatible
- RoHS compliant

APPLICATIONS

- Smart meter
- Industrial remote control
- ISM band equipment

ORDERING INFORMATION

All part numbers are identified by the series, packing type, material, size, antenna type, working frequency and packing quantity.

**PART NUMBER**

**ANT 1204 L L20 R 0433A**  
 (1) (2) (3) (4) (5) (6)

---

**(1) PRODUCT**

ANT = Antenna

---

**(2) SIZE**

1204=12× 4 mm

---

**(3) ANTENNA TYPE**

L, F, A=Chip antenna

---

**(4) SERIAL NO.**

L20

---

**(5) PACKING STYLE**

R = Tape and Reel

---

**(6) WORKING FREQUENCY**

0433=433 MHz

---

**PHYCOMP CTC**

CAN4311759200431K

---

**I2NC**

431175920043

---

**SPECIFICATION**

Table 1

DESCRIPTION	VALUE
Centre Frequency	433 MHz
Bandwidth	28M Hz (Typ.)
Return Loss	6.5 dB min
Polarization	Linear
Azimuth Beamwidth	Omni-directional
Peak Gain	0.83 dBi (Typ.)
Impedance	50 Ω
Operating Temperature	- 40~105 °C
Maximum Power	1 W
Termination	Ni / Sn (Environmentally-Friendly Leadless)
Resistance to Soldering Heats	260°C , 10sec.

**NOTE**

I. The specification is defined on Yageo evaluation board

**DIMENSIONS**

Table 2 Machinical Dimension

	DIMENSION
L (mm)	12.00 ±0.50
W (mm)	4.00 ±0.50
T (mm)	1.50 ±0.30
A (mm)	0.85 ±0.35

**OUTLINES**

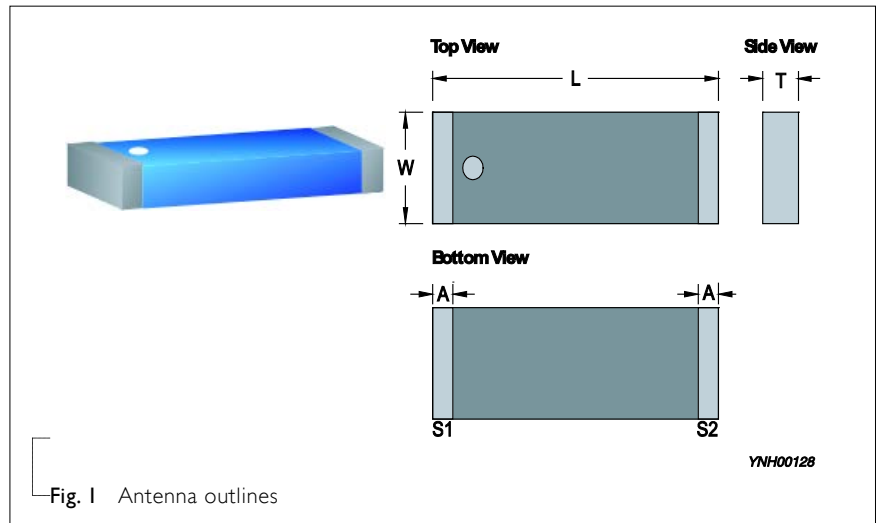
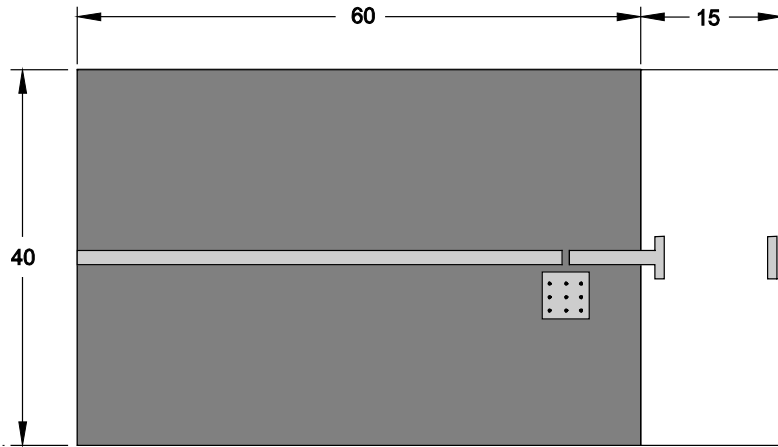


Fig. 1 Antenna outlines

Table 3 Termination configuration

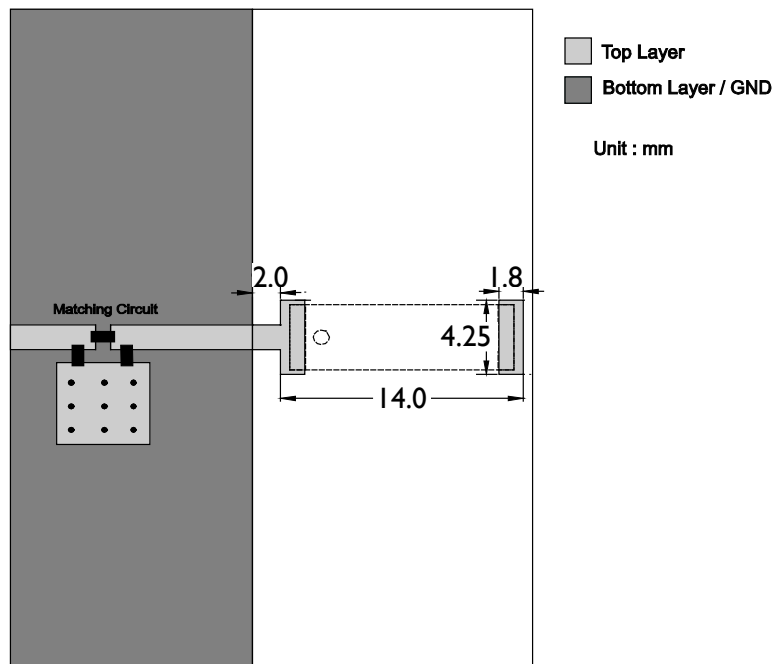
TERMINAL NAME	FUNCTION
S1	Feeding Point
S2	Soldering Point

REFERENCE DESIGN OF EVALUATION BOARD



Unit : mm

Fig. 2 Outlook and dimension of evaluation board

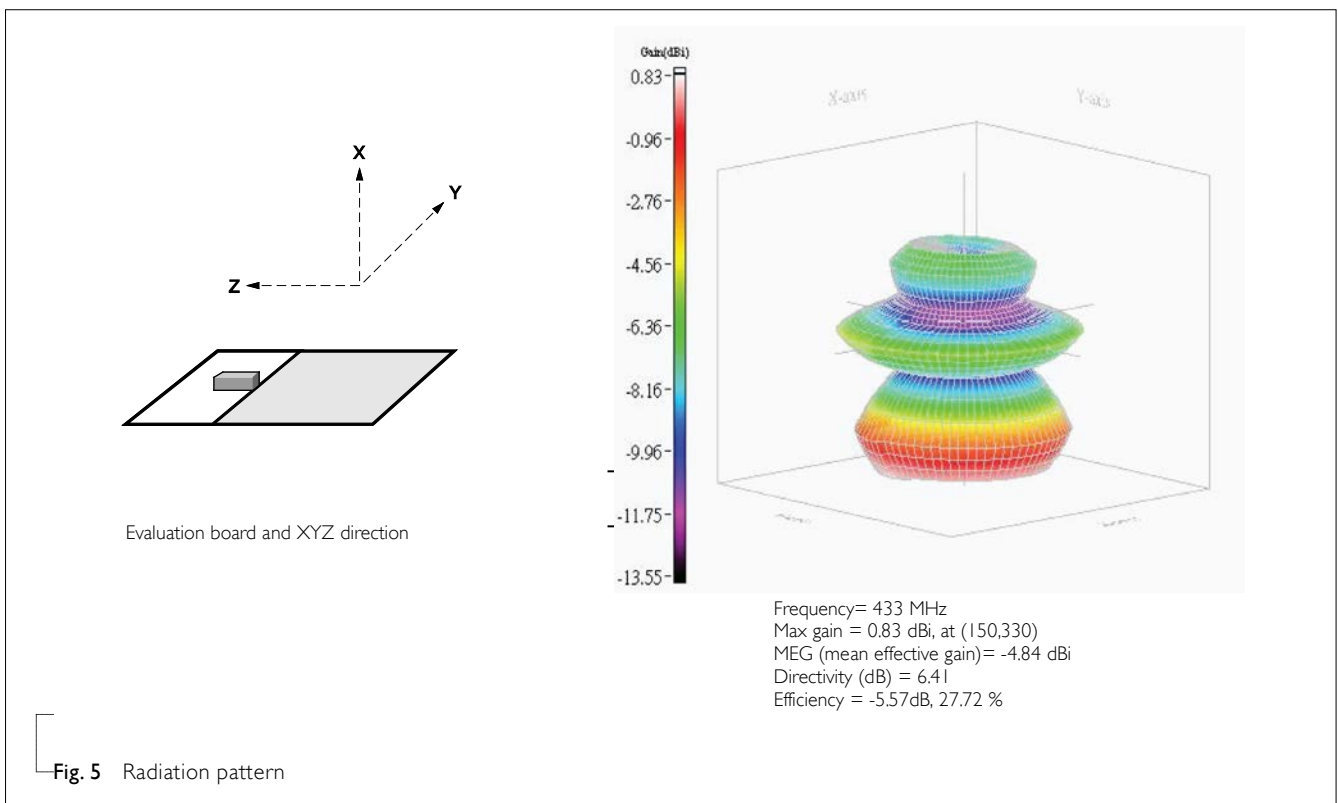
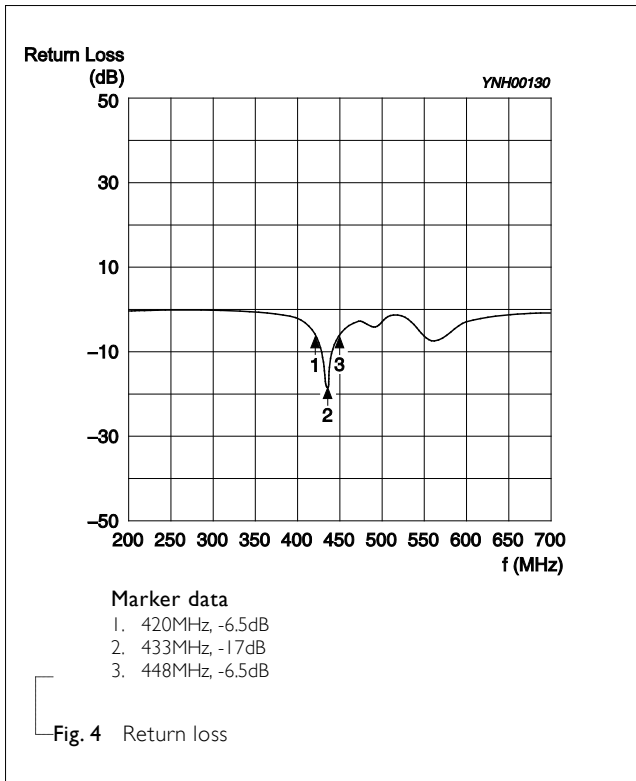


Unit : mm

YNH00129

Fig. 3 Details of soldering Pad

**ELECTRICAL PERFORMANCES**



REVISION HISTORYREVISION   DATE      CHANGE NOTIFICATION   DESCRIPTION

---

Version 0	Nov. 05, 2013	-	- New data sheet for Ceramic Chip Antenna, 433MHz application, 1204 series
-----------	---------------	---	--

---