



Chipsmall Limited consists of a professional team with an average of over 10 year of expertise in the distribution of electronic components. Based in Hongkong, we have already established firm and mutual-benefit business relationships with customers from,Europe,America and south Asia,supplying obsolete and hard-to-find components to meet their specific needs.

With the principle of “Quality Parts,Customers Priority,Honest Operation,and Considerate Service”,our business mainly focus on the distribution of electronic components. Line cards we deal with include Microchip,ALPS,ROHM,Xilinx,Pulse,ON,Everlight and Freescale. Main products comprise IC,Modules,Potentiometer,IC Socket,Relay,Connector.Our parts cover such applications as commercial,industrial, and automotives areas.

We are looking forward to setting up business relationship with you and hope to provide you with the best service and solution. Let us make a better world for our industry!



Contact us

Tel: +86-755-8981 8866 Fax: +86-755-8427 6832

Email & Skype: info@chipsmall.com Web: www.chipsmall.com

Address: A1208, Overseas Decoration Building, #122 Zhenhua RD., Futian, Shenzhen, China



DATA SHEET

WIRELESS COMPONENTS

FR4 Chip Antenna
ANT2405F001R0169A

169 MHz
2405 Series



FEATURES

- Compact size
- Omni-directional radiation
- Tape & reel automatic mounting
- Reflow process compatible
- RoHS compliant

APPLICATIONS

- Smart meter
- Industrial remote control
- ISM band equipment

ORDERING INFORMATION

All part numbers are identified by the series, packing type, material, size, antenna type, working frequency and packing quantity.

PART NUMBER**ANT 2405 F 001 R 0169A**

(1) (2) (3) (4) (5) (6)

(1) PRODUCT

ANT = Antenna

(2) SIZE

2405 = 2,4 x 5 mm

(3) ANTENNA TYPE

L,F,A = Chip Antenna

(4) SERIAL NO.

001

(5) PACKING TYPE

R = Tape and Reel

(6) WORKING FREQUENCY

0169 = 169MHz

PHYCOMP CTC

CAN4311050010162K

I2NC

431105001016

SPECIFICATION

Table 1

DESCRIPTION	VALUE
Centre Frequency	169 MHz
Bandwidth	2 MHz (Typ.)
Polarization	Linear
Azimuth Beamwidth	Omni-directional
Impedance	50 Ω
Operating Temperature	-40 °C ~ 105 °C

NOTE

I. The specification is defined on Yageo evaluation board

DIMENSIONS

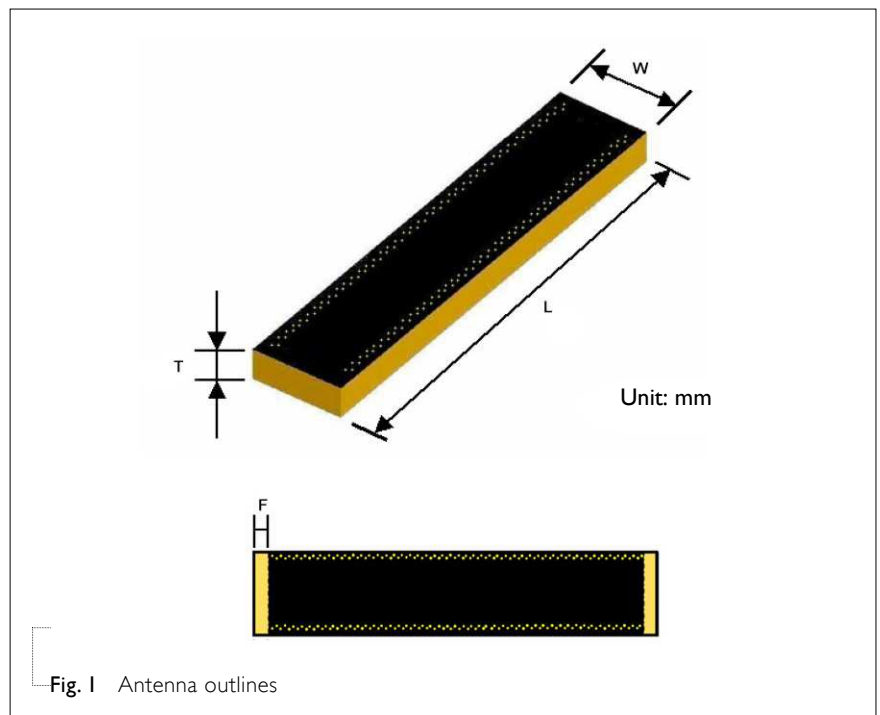
Table 2 Machinical Dimension

	DIMENSION
L (mm)	2.40 ±0.20
W (mm)	5.00 ±0.20
T (mm)	1.60 ±0.15
F (mm)	0.80 ±0.10

Table 3 Termination configuration

TERMINAL NAME	FUNCTION
F	Feeding Point

OUTLINES



REFERENCE DESIGN OF EVALUATION BOARD

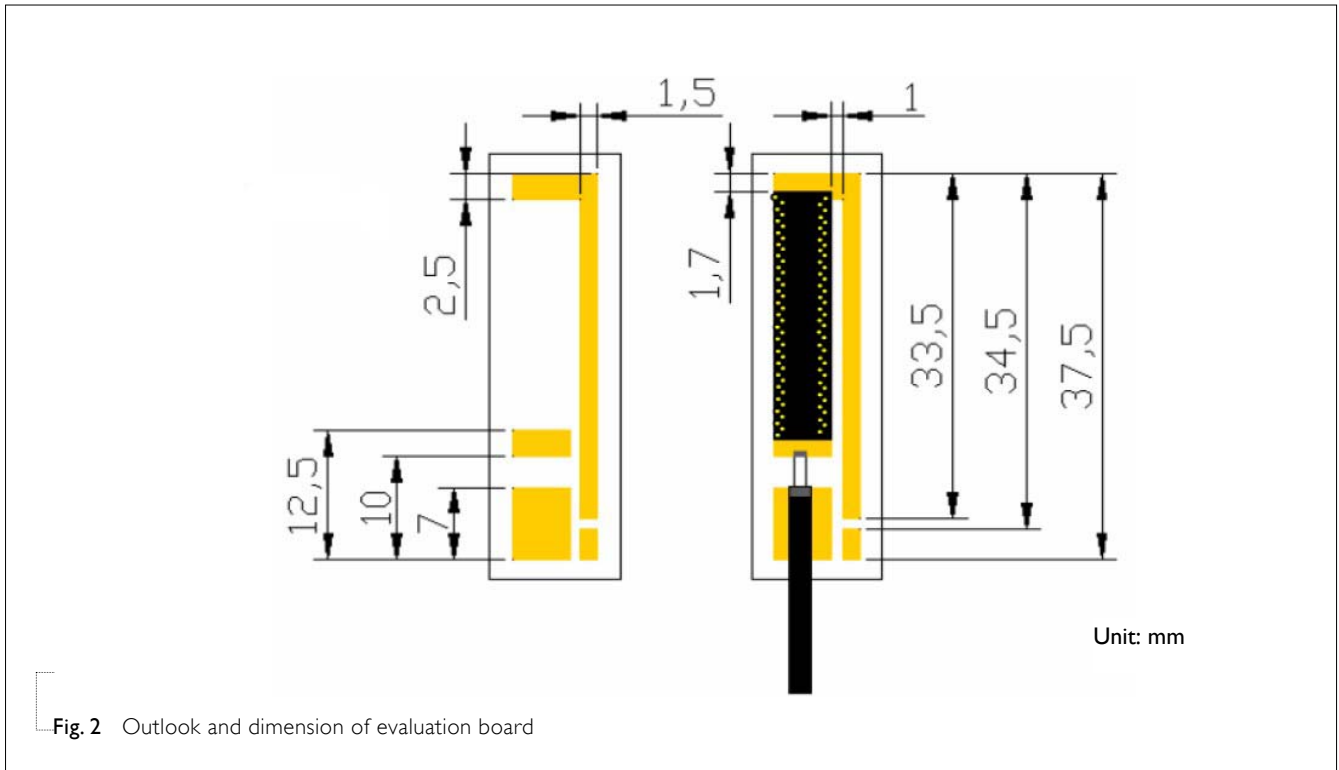


Fig. 2 Outlook and dimension of evaluation board

ELECTRICAL PERFORMANCES

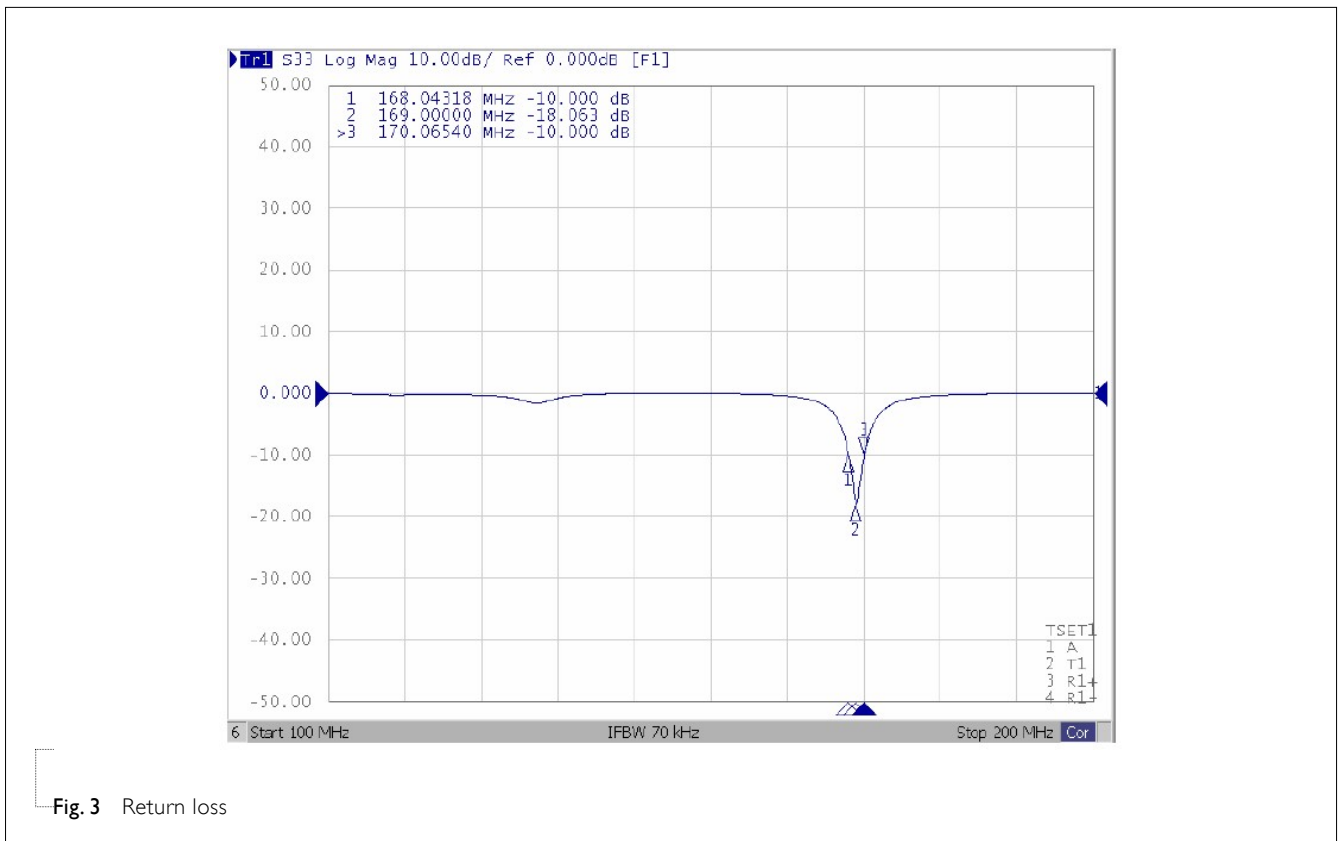


Fig. 3 Return loss

REVISION HISTORY

REVISION	DATE	CHANGE NOTIFICATION	DESCRIPTION
Version 0	Feb. 23, 2013	-	- New data sheet for SMD type antenna, 169 MHz application, 2405 series.