



Chipsmall Limited consists of a professional team with an average of over 10 year of expertise in the distribution of electronic components. Based in Hongkong, we have already established firm and mutual-benefit business relationships with customers from,Europe,America and south Asia,supplying obsolete and hard-to-find components to meet their specific needs.

With the principle of “Quality Parts,Customers Priority,Honest Operation,and Considerate Service”,our business mainly focus on the distribution of electronic components. Line cards we deal with include Microchip,ALPS,ROHM,Xilinx,Pulse,ON,Everlight and Freescale. Main products comprise IC,Modules,Potentiometer,IC Socket,Relay,Connector.Our parts cover such applications as commercial,industrial, and automotives areas.

We are looking forward to setting up business relationship with you and hope to provide you with the best service and solution. Let us make a better world for our industry!



Contact us

Tel: +86-755-8981 8866 Fax: +86-755-8427 6832

Email & Skype: info@chipsmall.com Web: www.chipsmall.com

Address: A1208, Overseas Decoration Building, #122 Zhenhua RD., Futian, Shenzhen, China



DATA SHEET

WIRELESS COMPONENTS

Ceramic Patch Antenna
ANT2525B00BT1516S

GPS & GLONASS

SMD 25 × 25 × 4 mm



FEATURES

- Support GPS & GLONASS system
- High radiation efficiency
- Reflow process compatible
- RoHS compliant

APPLICATIONS

- Navigation device
- Telematics box
- Fleet management

ORDERING INFORMATION

All part numbers are identified by the series, packing type, material, size, antenna type, working frequency and packing quantity.

PART NUMBER

ANT 2525 B 00B T 1516S
 (1) (2) (3) (4) (5) (6)

(1) PRODUCT

ANT = Antenna

(2) SIZE

2525 = 25 ×25 mm

(3) ANTENNA TYPE

B = Bulk Antenna

(4) SERIAL NO.

00B

(5) PACKING STYLE

T = Tray

(6) WORKING FREQUENCY

1516 = 1.575/1.602 GHz

PHYCOMP CTC

CAN43934250B1561B

I2NC

43934250B156

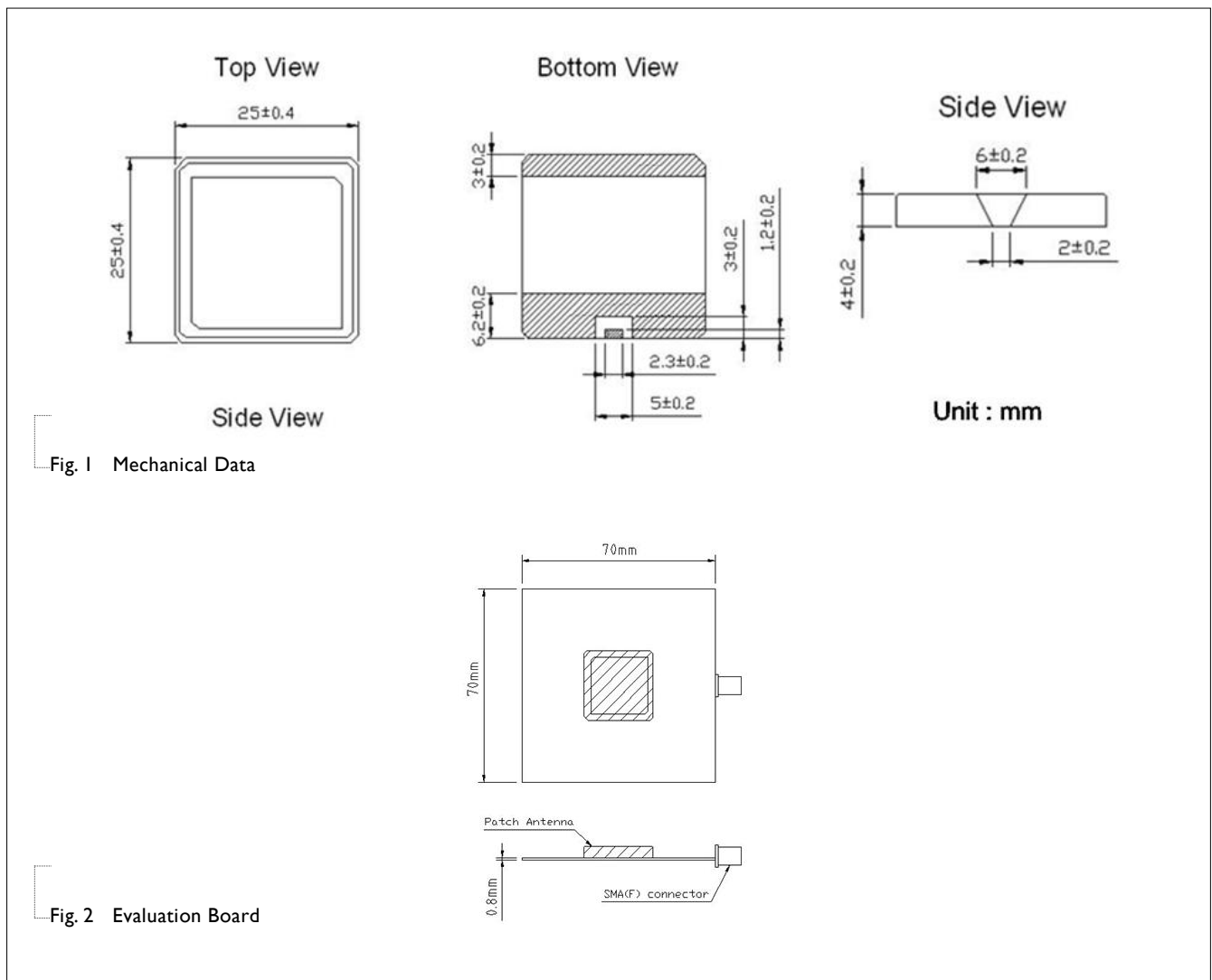
SPECIFICATION

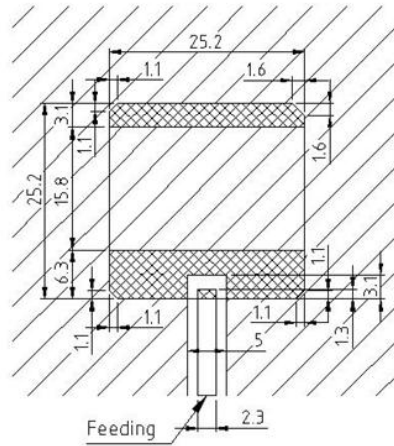
Table 1

DESCRIPTION	VALUE
Operating Frequency	1575~1606 MHz
Bandwidth	GPS: 20 MHz(Typ.) Glonass: 20 MHz(Typ.)
Gain	GPS: 4.72 dBi (Typ.) Glonass: 4.51 dBi (Typ.)
VSWR	2.0 Max.
Polarization	RHCP
Axis Ratio	≤10 dB
Impedance	50 Ω
Operating Temperature	-40~105 °C

NOTE

1. Based on 50×50mm² square ground plane.
2. Centre frequency will be offset to working frequency while changes of customer's housing and ground plane.
3. Please contact local sales if you need customized design to gain optimum antenna performance.





: Soldering Pad
 : Ground Area
 Tol. : +/- 0.1mm

Fig. 3 Footprint

ELECTRICAL PERFORMANCES

Trc1 **S11** dB Mag 10 dB / Ref-10 dB Cal 1 of 1 (Max)
 Trc2 **S11** Smith Ref1 U Cal
 Mem3[Trc1] **S11** dB Mag 10 dB / Ref-10 dB Invisible
 Mem4[Trc2] **S11** Smith Ref1 U Invisible

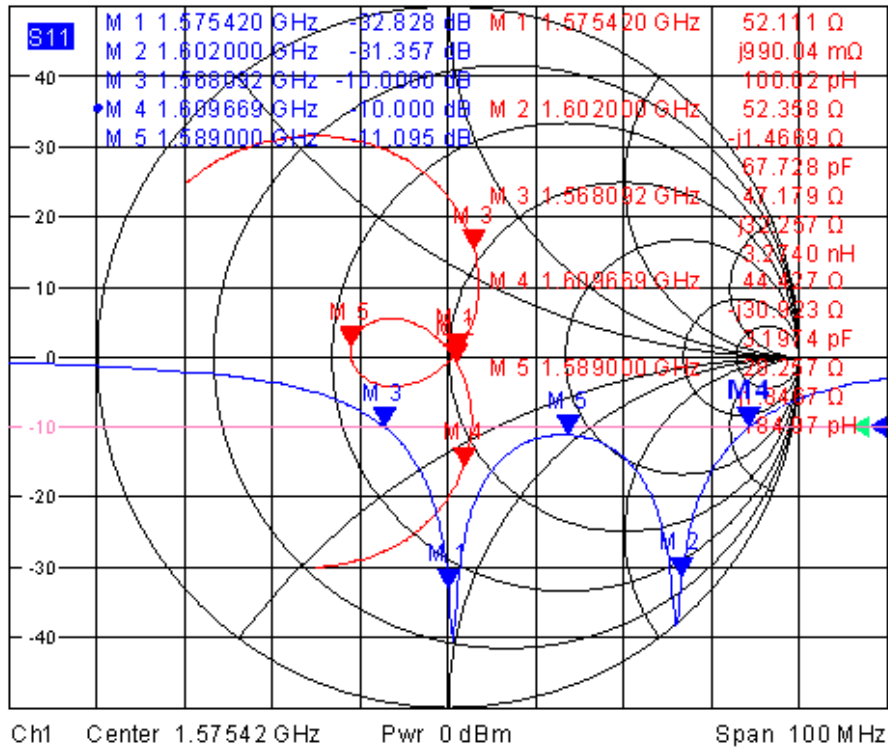


Fig. 4 Return loss

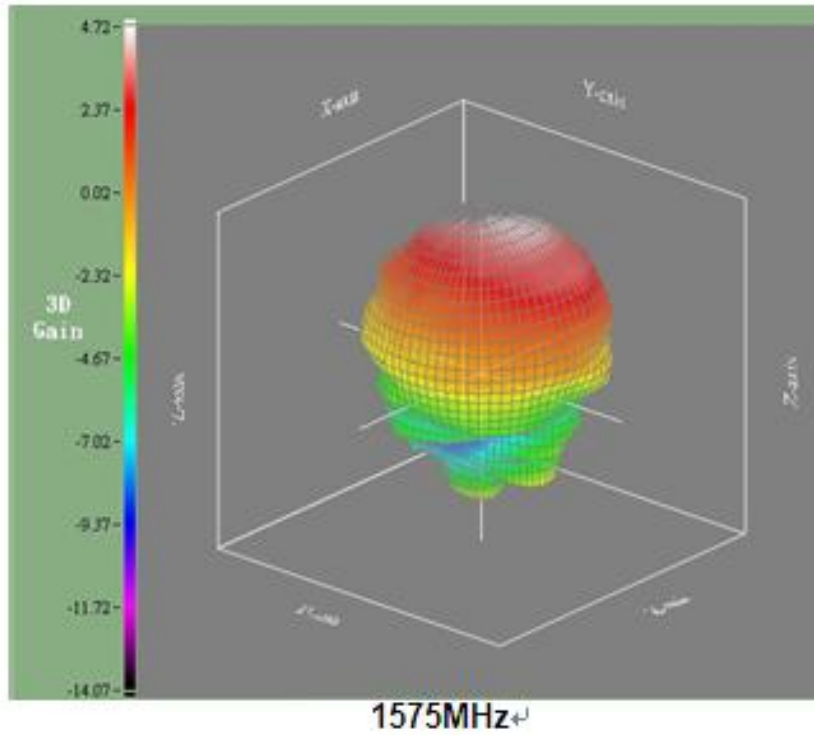


Fig. 5
Radiation Pattern (Frequency = 1575MHz)

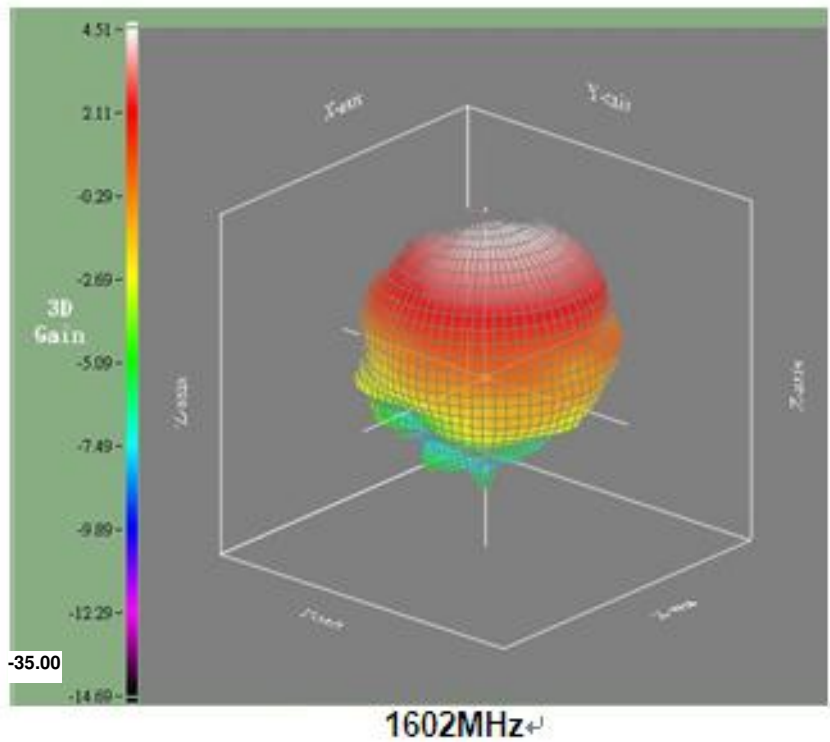


Fig. 6
Radiation Pattern (Frequency = 1602MHz)

REVISION HISTORY

REVISION	DATE	CHANGE NOTIFICATION	DESCRIPTION
----------	------	---------------------	-------------

Version 0	Oct. 05, 2015	-	- New data sheet for Patch antenna, SMD Feed size 25×25×4 mm
-----------	---------------	---	--