



Chipsmall Limited consists of a professional team with an average of over 10 year of expertise in the distribution of electronic components. Based in Hongkong, we have already established firm and mutual-benefit business relationships with customers from,Europe,America and south Asia,supplying obsolete and hard-to-find components to meet their specific needs.

With the principle of “Quality Parts,Customers Priority,Honest Operation,and Considerate Service”,our business mainly focus on the distribution of electronic components. Line cards we deal with include Microchip,ALPS,ROHM,Xilinx,Pulse,ON,Everlight and Freescale. Main products comprise IC,Modules,Potentiometer,IC Socket,Relay,Connector.Our parts cover such applications as commercial,industrial, and automotives areas.

We are looking forward to setting up business relationship with you and hope to provide you with the best service and solution. Let us make a better world for our industry!



## Contact us

Tel: +86-755-8981 8866 Fax: +86-755-8427 6832

Email & Skype: info@chipsmall.com Web: www.chipsmall.com

Address: A1208, Overseas Decoration Building, #122 Zhenhua RD., Futian, Shenzhen, China



# DATA SHEET

## WIRELESS COMPONENTS

Ceramic Patch Antenna

ANT2525B00FT1516S

GPS & GLONASS

PIN 25 × 25 × 4 mm



FEATURES

- Support GPS & GLONASS system
- High radiation efficiency
- Pin-solder process
- RoHS compliant

APPLICATIONS

- Navigation device
- Telematics box
- Fleet management

ORDERING INFORMATION

All part numbers are identified by the series, packing type, material, size, antenna type, working frequency and packing quantity.

**PART NUMBER**

**ANT 2525 B 00F T 1516S**  
 (1) (2) (3) (4) (5) (6)

---

(1) PRODUCT

ANT = Antenna

---

(2) SIZE

2525= 25 x 25 mm

---

(3) ANTENNA TYPE

B = Bulk Antenna

---

(4) SERIAL NO.

00F

---

(5) PACKING STYLE

T = Tray

---

(6) WORKING FREQUENCY

1516 =1.575 / 1.602 GHz

---

PHYCOMP CTC

CAN43934250F1561B

---

12NC

43934250F156

---



**SPECIFICATION**

Table 1

DESCRIPTION	VALUE
Operating Frequency	1575~1606 MHz
Bandwidth	GPS: 20 MHz(Typ.) Glonass:20 MHz(Typ.)
Gain	GPS: 4.97 dBi (Typ.) Glonass: 4.66 dBi (Typ.)
VSWR	2.0 Max
Polarization	RHCP
Axis Ratio	$\leq 10$ dB (Typ.)
Impedance	50 $\Omega$
Operating Temperature	-40~105 °C

**NOTE**

1. Based on 50 x 50mm<sup>2</sup> square ground plane.
2. Centre frequency will be offset to working frequency while changes of customer's housing and ground plane.
3. Please contact local sales if you need customized design to gain optimum Antenna performance.

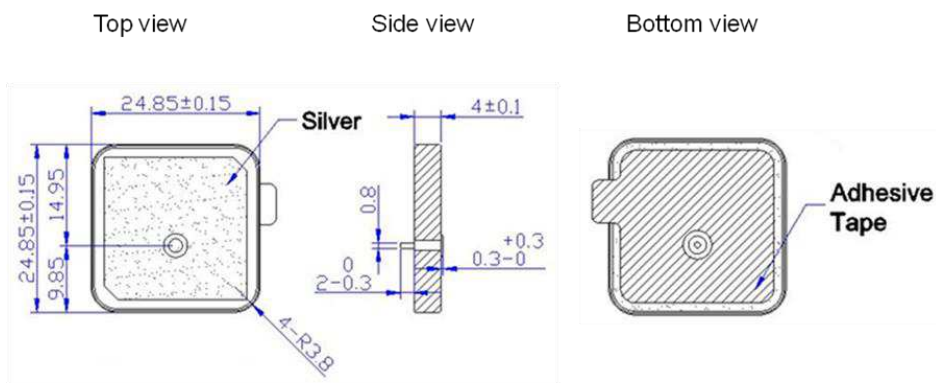


Fig. 1 Mechanical data

Unit : mm

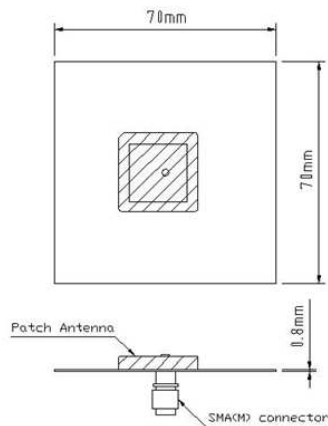
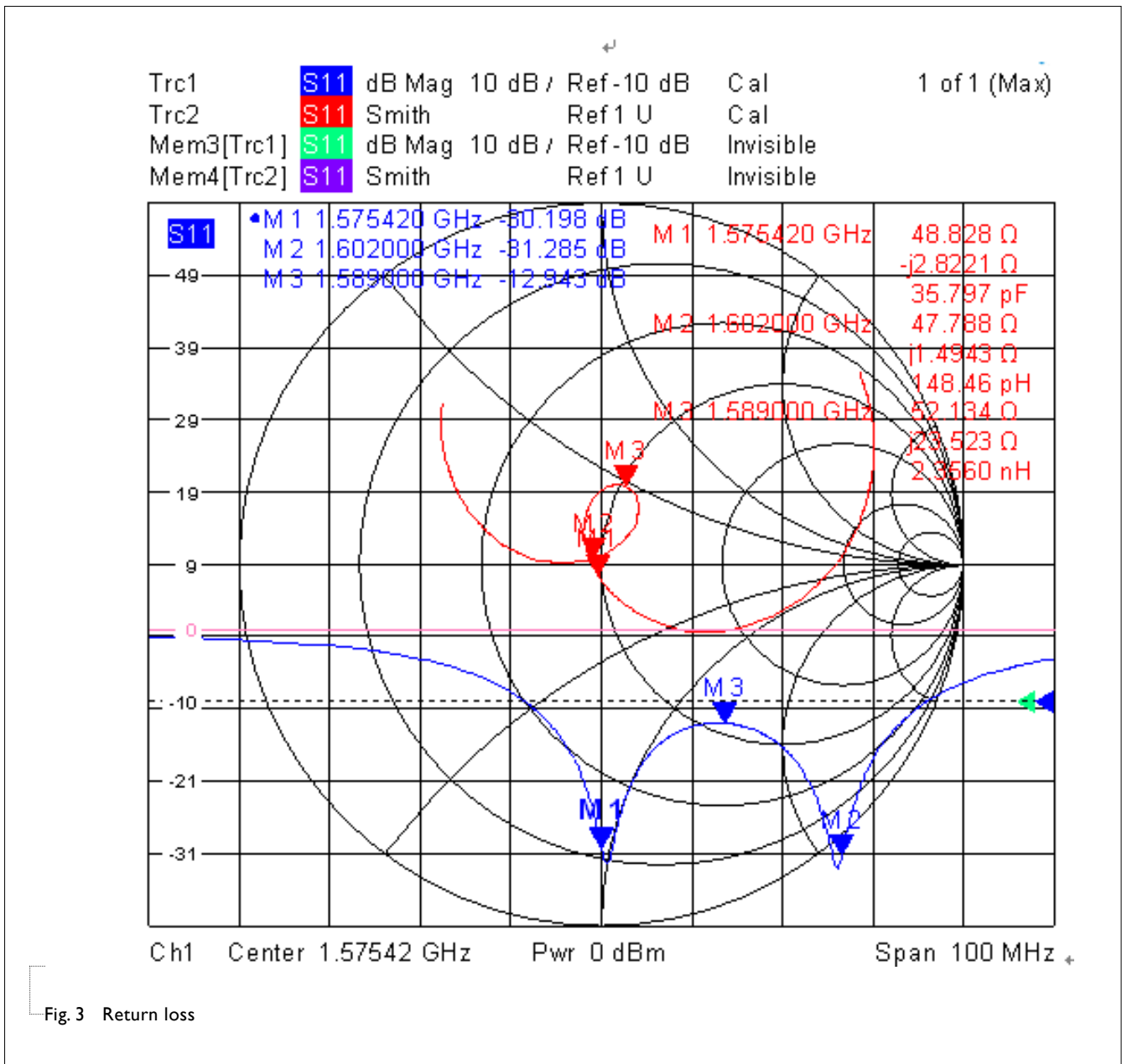


Fig. 2 Evaluation Board

**ELECTRICAL PERFORMANCES**



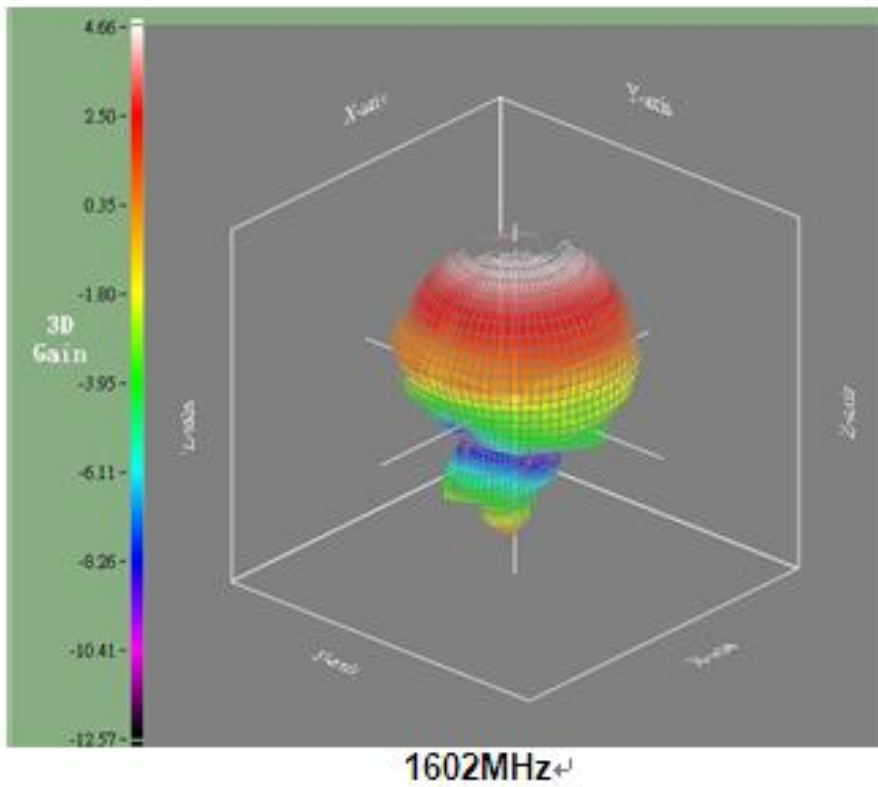
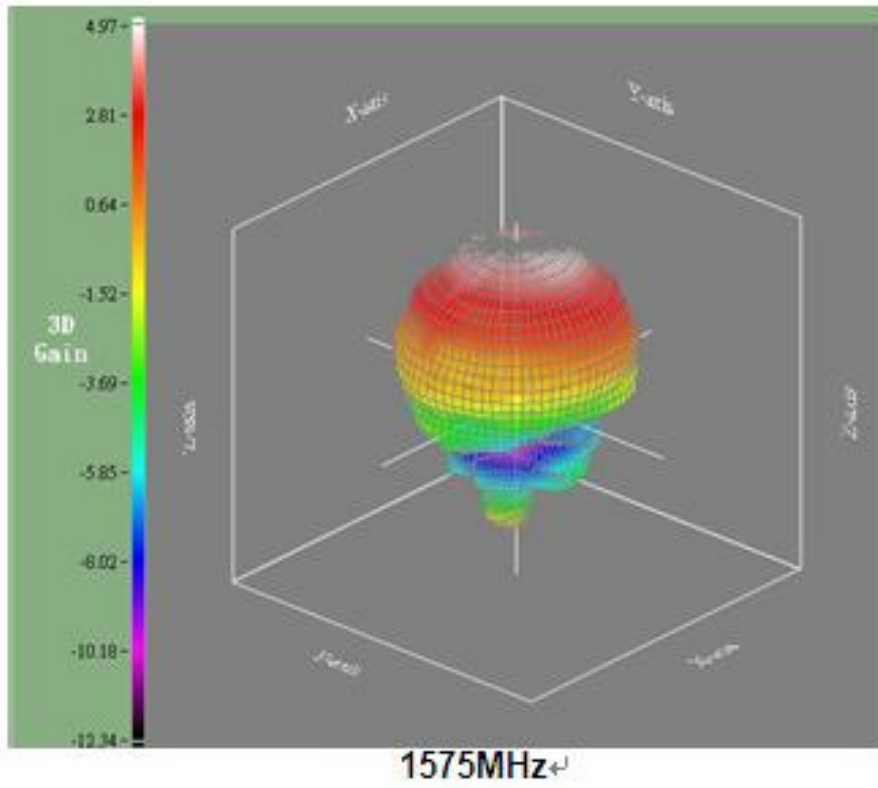


Fig. 4 Radiation Pattern

REVISION HISTORY

REVISION	DATE	CHANGE NOTIFICATION	DESCRIPTION
Version 0	Oct. 02, 2015	-	- New data sheet for Patch antenna, PIN Feed size 25*25*4 mm