



Chipsmall Limited consists of a professional team with an average of over 10 year of expertise in the distribution of electronic components. Based in Hongkong, we have already established firm and mutual-benefit business relationships with customers from,Europe,America and south Asia,supplying obsolete and hard-to-find components to meet their specific needs.

With the principle of “Quality Parts,Customers Priority,Honest Operation,and Considerate Service”,our business mainly focus on the distribution of electronic components. Line cards we deal with include Microchip,ALPS,ROHM,Xilinx,Pulse,ON,Everlight and Freescale. Main products comprise IC,Modules,Potentiometer,IC Socket,Relay,Connector.Our parts cover such applications as commercial,industrial, and automotives areas.

We are looking forward to setting up business relationship with you and hope to provide you with the best service and solution. Let us make a better world for our industry!



## Contact us

Tel: +86-755-8981 8866 Fax: +86-755-8427 6832

Email & Skype: info@chipsmall.com Web: www.chipsmall.com

Address: A1208, Overseas Decoration Building, #122 Zhenhua RD., Futian, Shenzhen, China



# DATA SHEET

## WIRELESS COMPONENTS

Ceramic Patch Antenna  
ANT2525B00FTGNSSS  
GNSS-GPS & GLONASS & BEIDOU  
PIN 25\*25\*4 MM



FEATURES

- Support BD2 & GPS & Glonass
- High radiation efficiency
- Pin-solder process
- RoHS compliant

APPLICATIONS

- Navigation device
- Telematics box
- Fleet management

ORDERING INFORMATION-

All part numbers are identified by the series, packing type, material, size, antenna type, working frequency and packing quantity.

**PART NUMBER**

**ANT 2525 B 00F T GNSS**  
 (1) (2) (3) (4) (5) (6)

---

(1) FAMILY

ANT = Antenna

---

(2) SIZE

2525 = 25 × 25

---

(3) ANTENNA TYPE

B = bulk Antenna

---

(4) SERIAL NO.

00F

---

(5) PACKING STYLE

T = Tray

---

(6) WORKING FREQUENCY

GNSS = 1559 ~ 1610 MHz

---

PHYCOMP CTC

CAN43934250FGNS1B

---

I2NC

43934250FGNS

---

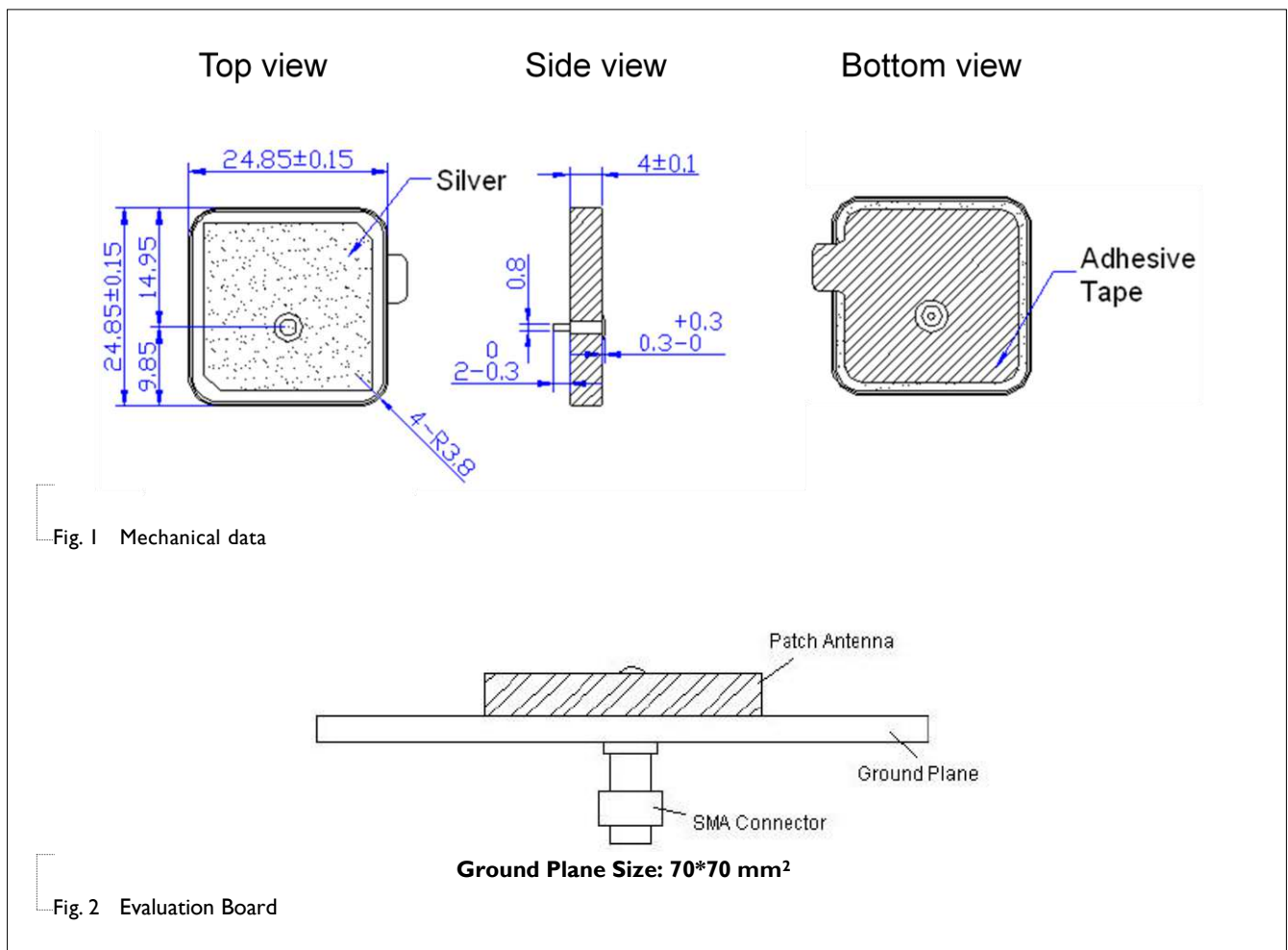
**SPECIFICATION**

Table 1

DESCRIPTION	VALUE
Operating Frequency	1559 ~ 1610 MHz
Gain	5.16 dBic (Typ.)
VSWR	2 Max
Polarization	RHCP
Axis Ratio	$\leq 12$ dB
BandWidth	52 MHz (Min)
Impedance	50 $\Omega$
Operating Temperature	-40~105 °C

**NOTE**

1. Based on 70×70 mm<sup>2</sup> square ground plane.
2. Centre frequency will be offset to working frequency while changes of customer's housing and ground plane.
3. Please contact local sales if you need customized design to gain optimum antenna performance.



**ELECTRICAL PERFORMANCES**

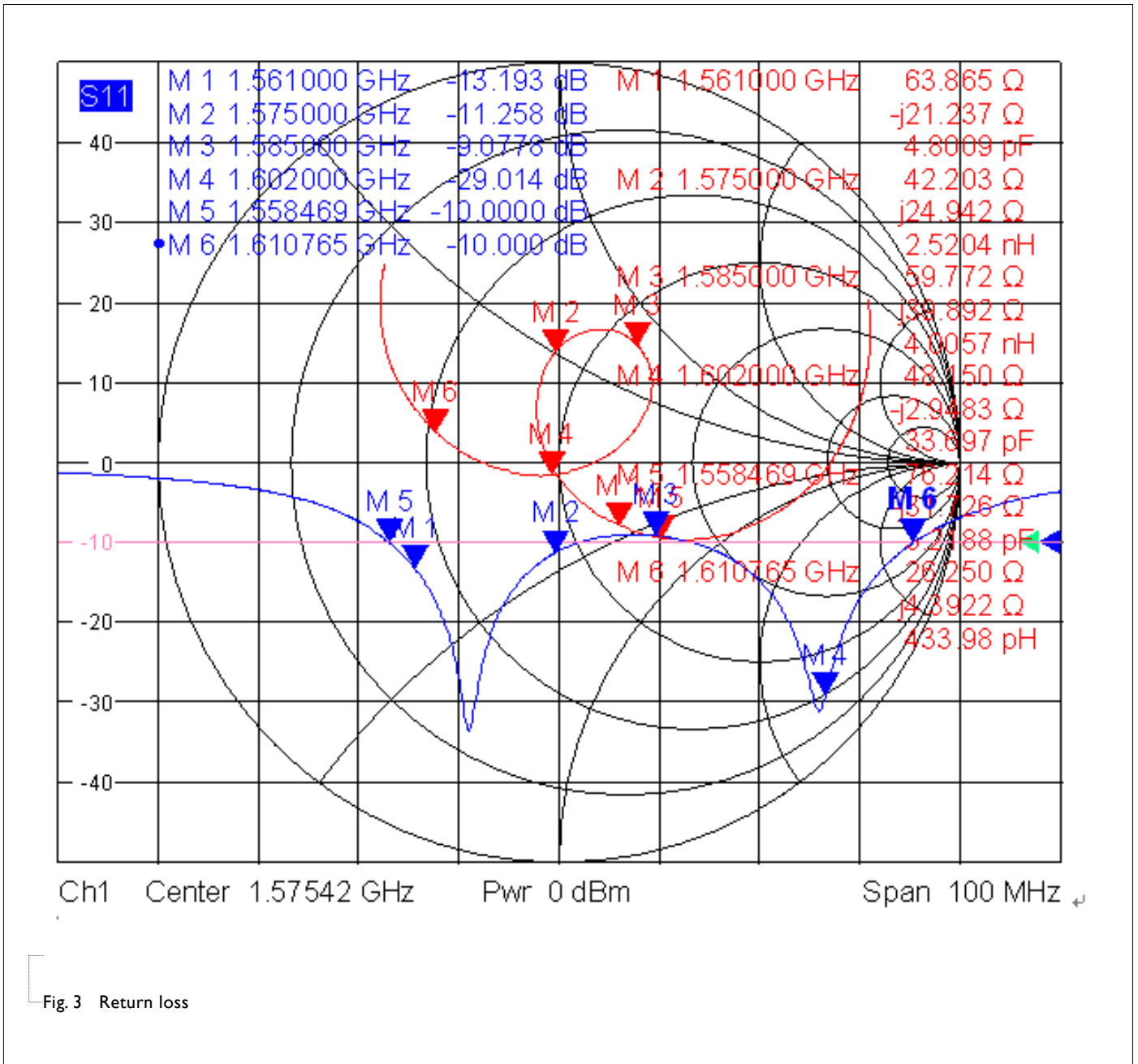


Fig. 3 Return loss

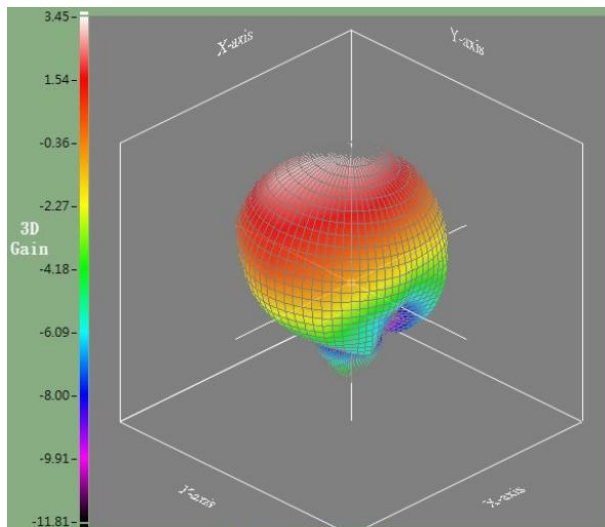


Fig. 4 Radiation Pattern (Frequency = 1559 MHz)

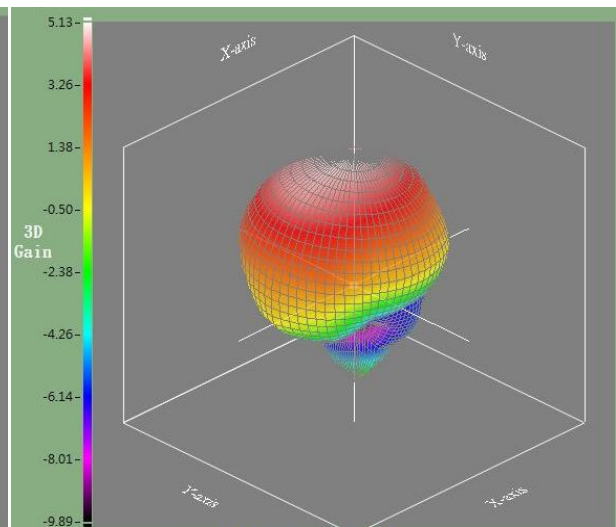


Fig 5 Radiation Pattern (Frequency = 1575 MHz)

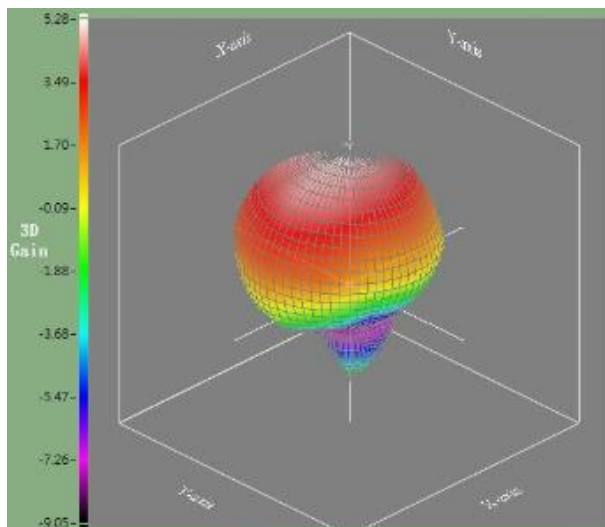


Fig. 6 Radiation Pattern (Frequency = 1585 MHz)

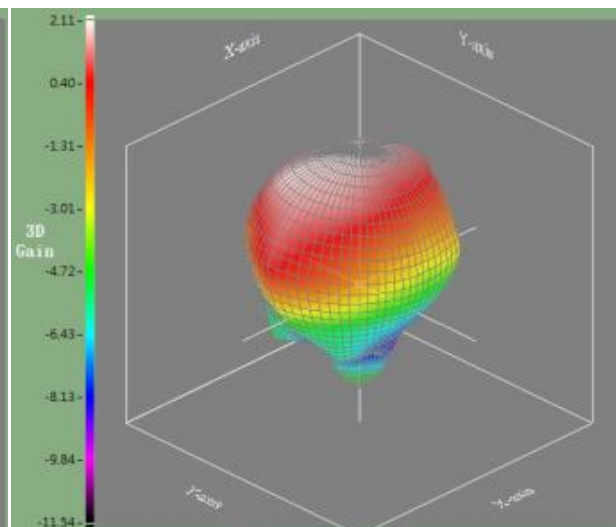


Fig. 7 Radiation Pattern (Frequency = 1602 MHz)

REVISION HISTORY

REVISION	DATE	CHANGE NOTIFICATION	DESCRIPTION
Version 0	Jul. 17, 2015	-	- New data sheet for GNSS Patch antenna, PIN Feed size 25*25*4 mm