



Chipsmall Limited consists of a professional team with an average of over 10 year of expertise in the distribution of electronic components. Based in Hongkong, we have already established firm and mutual-benefit business relationships with customers from,Europe,America and south Asia,supplying obsolete and hard-to-find components to meet their specific needs.

With the principle of "Quality Parts,Customers Priority,Honest Operation,and Considerate Service",our business mainly focus on the distribution of electronic components. Line cards we deal with include Microchip,ALPS,ROHM,Xilinx,Pulse,ON,Everlight and Freescale. Main products comprise IC,Modules,Potentiometer,IC Socket,Relay,Connector.Our parts cover such applications as commercial,industrial, and automotives areas.

We are looking forward to setting up business relationship with you and hope to provide you with the best service and solution. Let us make a better world for our industry!



## Contact us

Tel: +86-755-8981 8866 Fax: +86-755-8427 6832

Email & Skype: info@chipsmall.com Web: www.chipsmall.com

Address: A1208, Overseas Decoration Building, #122 Zhenhua RD., Futian, Shenzhen, China



# DATA SHEET

WIRELESS COMPONENTS  
Ceramic Chip Antenna  
ANT5320LL24R2400A

2.4 - 2.5 GHz  
5320 Series



FEATURES

- Compact size
- Omni-directional radiation
- Tape & reel automatic mounting
- Reflow process compatible
- RoHS compliant

APPLICATIONS

- 2.4 GHz WiFi device
- Bluetooth gadget
- Zigbee device
- ISM band equipment

ORDERING INFORMATION

All part numbers are identified by the series, packing type, material, size, antenna type, working frequency and packing quantity.

**PART NUMBER**

**ANT 5320 L L24 R 2400A**  
 (1) (2) (3) (4) (5) (6)

---

**(1) PRODUCT**

ANT = Antenna

---

**(2) SIZE**

5320= 5.3 × 2.0 mm

---

**(3) ANTENNA TYPE**

L,F,A = Chip Antenna

---

**(4) SERIAL NO.**

L24

---

**(5) PACKING STYLE**

R = Tape and Reel

---

**(6) WORKING FREQUENCY**

2400 = 2.4 GHz

---

**PHYCOMP CTC**

CAN4311753242452K

---

**I2NC**

---

431175324245

---

**SPECIFICATION**

Table 1

DESCRIPTION	VALUE
Centre Frequency	2.45 GHz
Bandwidth	84 MHz (Typ.)
Polarization	Linear
Azimuth Beamwidth	Omni-directional
Peak Gain	2.78 dBi (Typ.)
Impedance	50 Ω
Operating Temperature	- 40~105 °C
Maximum Power	1 W
Termination	Ni / Sn (Environmentally-Friendly Leadless)
Resistance to Soldering Heats	260°C , 10sec.

**NOTE**

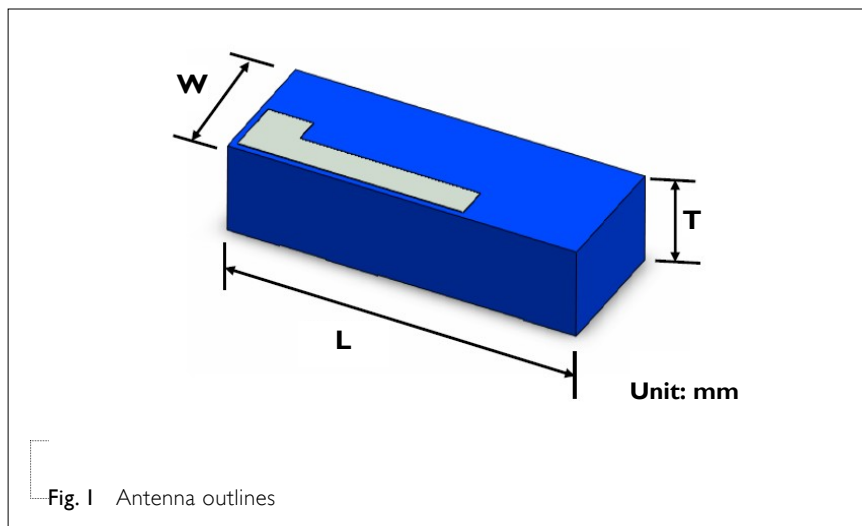
1. The specification is defined on Yageo evaluation board

**DIMENSIONS**

Table 2 Machinical Dimension

	DIMENSION
L (mm)	5.30 ±0.10
W (mm)	2.00 ±0.10
T (mm)	1.20 ±0.10

**OUTLINES**



**REFERENCE DESIGN OF EVALUATION BOARD**

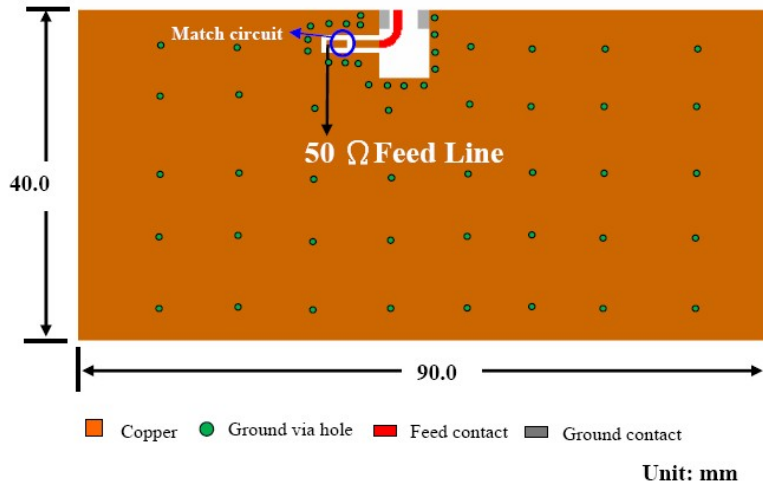


Fig. 2 Outlook and dimension of evaluation board

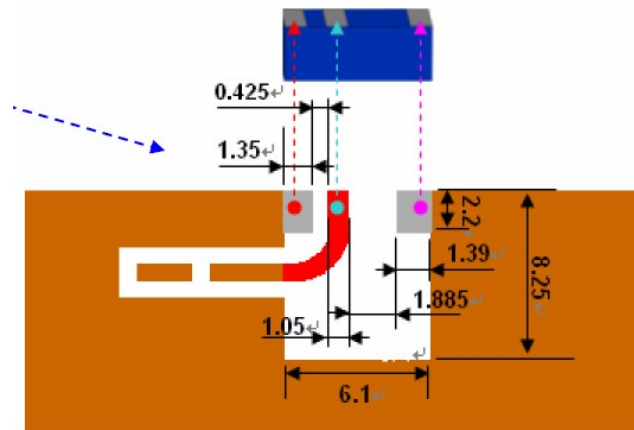


Fig. 3 Dimension of footprint

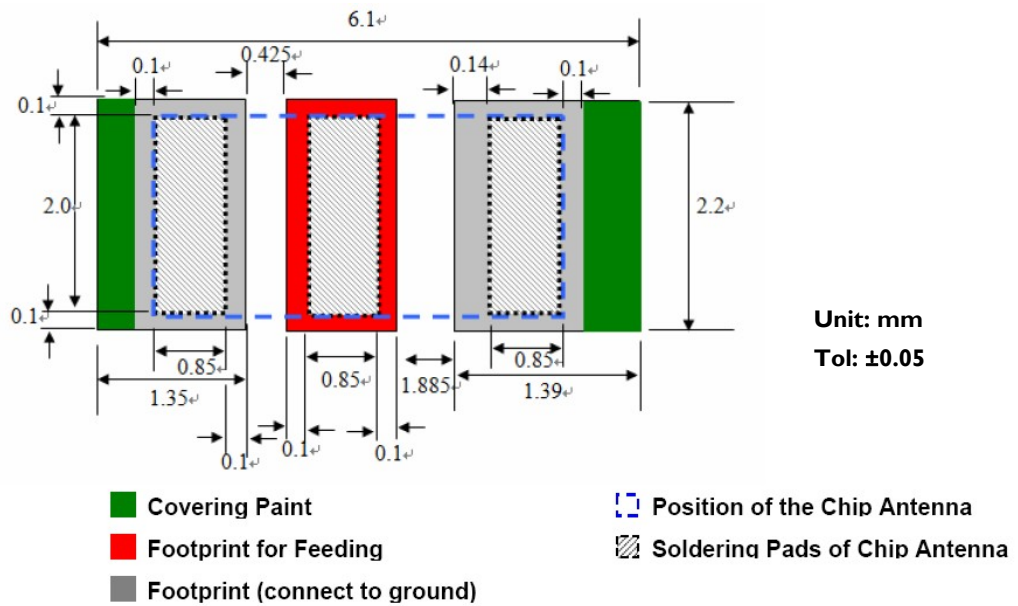
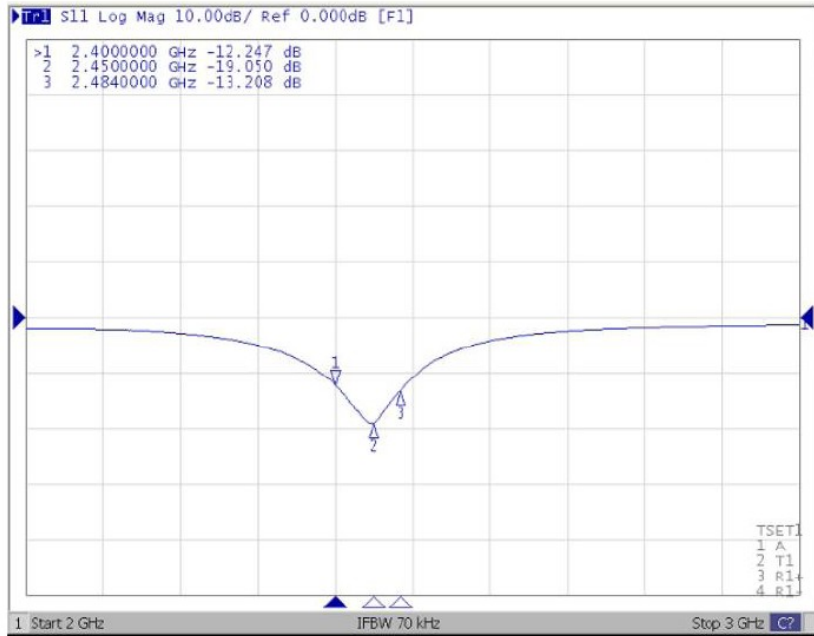
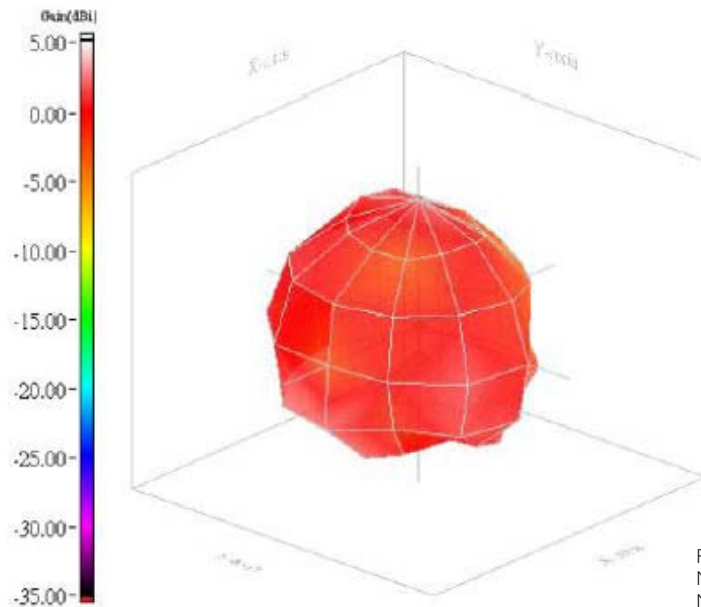


Fig. 4 Details of soldering pad

**ELECTRICAL PERFORMANCES**



**Fig. 5** Return loss



Frequency= 2.45 GHz  
 Max gain = 2.78dBi, at (150,150)  
 MEG (mean effective gain)= -0.76 dBi  
 Directivity (dB) = 3.61  
 Efficiency = -0.83dB, 82.66 %

**Fig. 6** Radiation pattern

REVISION HISTORY

REVISION	DATE	CHANGE NOTIFICATION	DESCRIPTION
Version 0	Jan. 23, 2013	-	- New data sheet for SMD type antenna, 2.45GHz application, 5320 series.