



Chipsmall Limited consists of a professional team with an average of over 10 year of expertise in the distribution of electronic components. Based in Hongkong, we have already established firm and mutual-benefit business relationships with customers from,Europe,America and south Asia,supplying obsolete and hard-to-find components to meet their specific needs.

With the principle of “Quality Parts,Customers Priority,Honest Operation,and Considerate Service”,our business mainly focus on the distribution of electronic components. Line cards we deal with include Microchip,ALPS,ROHM,Xilinx,Pulse,ON,Everlight and Freescale. Main products comprise IC,Modules,Potentiometer,IC Socket,Relay,Connector.Our parts cover such applications as commercial,industrial, and automotives areas.

We are looking forward to setting up business relationship with you and hope to provide you with the best service and solution. Let us make a better world for our industry!



## Contact us

Tel: +86-755-8981 8866 Fax: +86-755-8427 6832

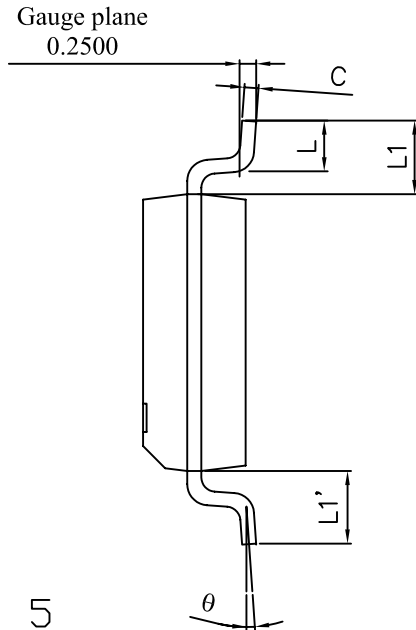
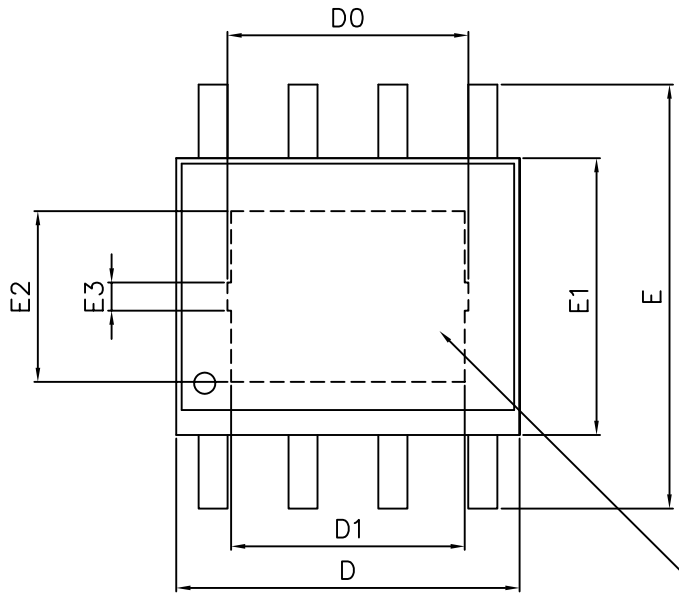
Email & Skype: info@chipsmall.com Web: www.chipsmall.com

Address: A1208, Overseas Decoration Building, #122 Zhenhua RD., Futian, Shenzhen, China

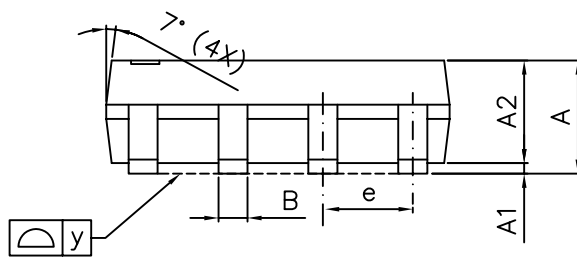




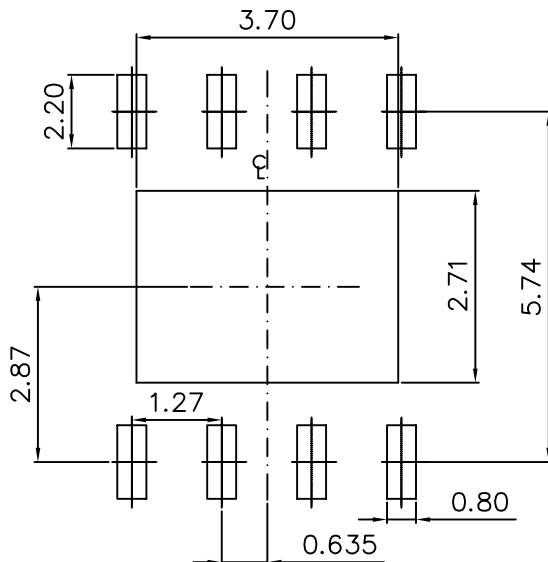
S08\_EP1 PACKAGE OUTLINE



NOTE 5



RECOMMENDED LAND PATTERN



SYMBOLS	DIMENSIONS IN MILLIMETERS			DIMENSIONS IN INCHES		
	MIN	NOM	MAX	MIN	NOM	MAX
A	1.40	1.55	1.70	0.055	0.061	0.067
A1	0.00	0.05	0.10	0.000	0.002	0.004
A2	1.40	1.50	1.60	0.055	0.059	0.063
B	0.31	0.406	0.51	0.012	0.016	0.020
C	0.17	—	0.25	0.007	—	0.010
D	4.80	4.96	5.00	0.189	0.195	0.197
D0	3.20	3.40	3.60	0.126	0.134	0.142
D1	3.10	3.30	3.50	0.122	0.130	0.138
E	5.80	6.00	6.20	0.228	0.236	0.244
e	—	1.27	—	—	0.050	—
E1	3.80	3.90	4.00	0.150	0.153	0.157
E2	2.21	2.41	2.61	0.087	0.095	0.103
E3	0.40 REF			0.016 REF		
L	0.40	0.95	1.27	0.016	0.037	0.050
y	—	—	0.10	—	—	0.004
θ	0°	3°	8°	0°	3°	8°
[L1-L1']	—	0.04	0.12	—	0.002	0.005
L1	1.04REF			0.041REF		

NOTE

UNIT: mm

1. PACKAGE BODY SIZES EXCLUDE MOLD FLASH AND GATE BURRS
2. DIMENSION L IS MEASURED IN GAGE PLANE
3. TOLERANCE 0.10 mm UNLESS OTHERWISE SPECIFIED
4. CONTROLLING DIMENSION IS MILLIMETER. CONVERTED INCH DIMENSIONS ARE NOT NECESSARILY EXACT.
5. DIE PAD EXPOSURE SIZE IS ACCORDING TO LEAD FRAME DESIGN.
6. FOLLOWED FROM JEDEC MS-012