



Chipsmall Limited consists of a professional team with an average of over 10 year of expertise in the distribution of electronic components. Based in Hongkong, we have already established firm and mutual-benefit business relationships with customers from,Europe,America and south Asia,supplying obsolete and hard-to-find components to meet their specific needs.

With the principle of “Quality Parts,Customers Priority,Honest Operation,and Considerate Service”,our business mainly focus on the distribution of electronic components. Line cards we deal with include Microchip,ALPS,ROHM,Xilinx,Pulse,ON,Everlight and Freescale. Main products comprise IC,Modules,Potentiometer,IC Socket,Relay,Connector.Our parts cover such applications as commercial,industrial, and automotives areas.

We are looking forward to setting up business relationship with you and hope to provide you with the best service and solution. Let us make a better world for our industry!



Contact us

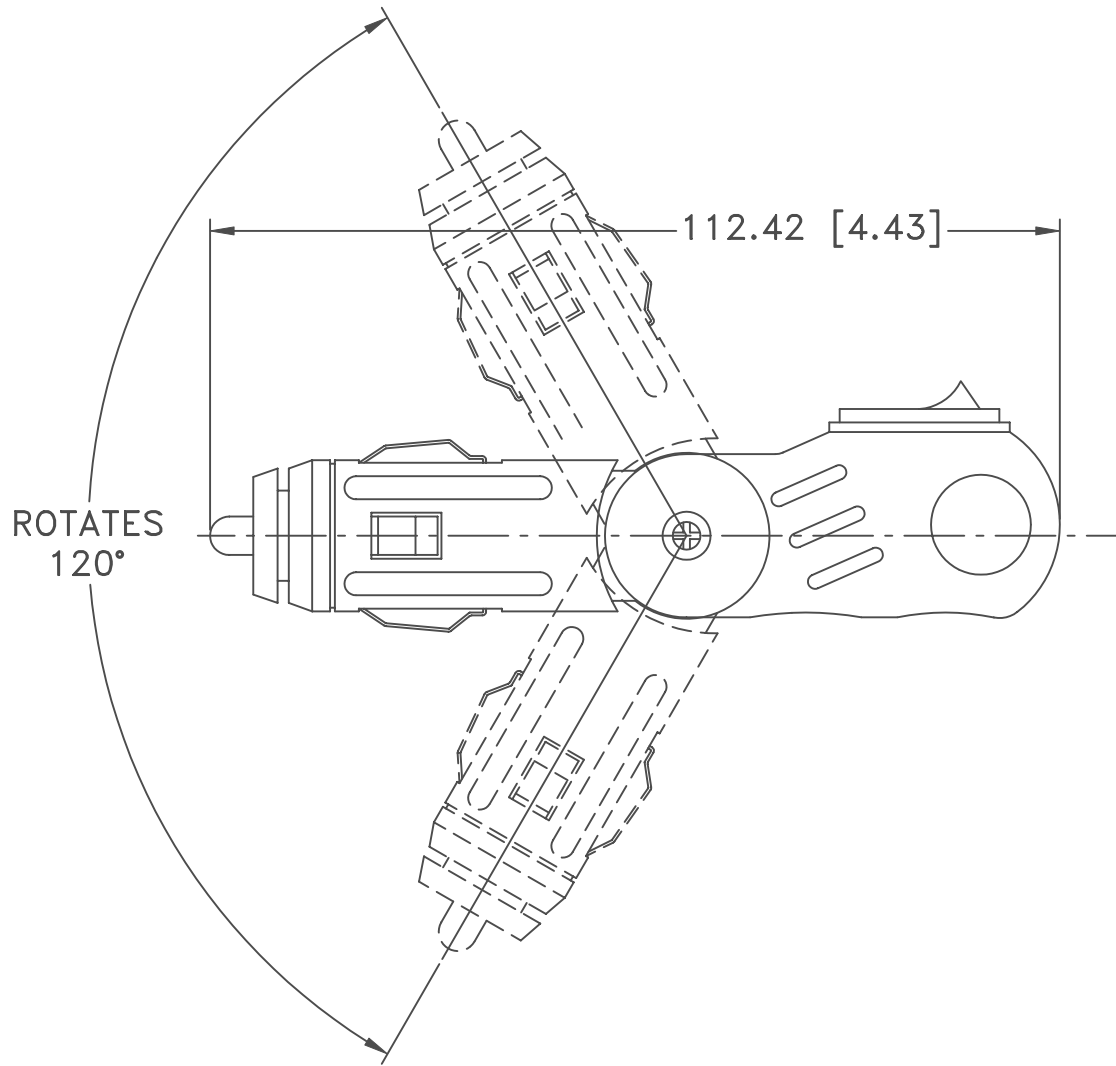
Tel: +86-755-8981 8866 Fax: +86-755-8427 6832

Email & Skype: info@chipsmall.com Web: www.chipsmall.com

Address: A1208, Overseas Decoration Building, #122 Zhenhua RD., Futian, Shenzhen, China




Date	SYM	REVISION RECORD	AUTH	DR.	CK.
11/15/03	A	ADDED SWITCH SPECIFICATION REVISED TITLE	T.B.	B.S.	



SPECIFICATION:

BODY: HIGH IMPACT ABS, UL94V-0, FILE NO. E56070(S)
COLOR: BLACK
CENTER CONTACT: BRASS, NICKEL PLATED
SLIDING CONTACTS: PHOS. BRONZE, NICKEL PLATED
SPRING: SW70C, ZINC PLATED
FUSE: 250V, 5 AMP, 3AG 6.35mm x 30mm (1/4" X 1 1/4")
RATED AT 18 HOURS, CONTINUOUS DUTY
10 AMP'S MAX WITH CORRECT FUSE.
SWITCH: RED LED, 10 AMPS - 125 VOLTS
OR 5 AMPS - 250 VOLTS

Tolerance (Except as noted)	 Memory Protection Devices, Inc 200 Broad Hollow Road, Farmingdale, New York 11735	
decimal ±.5 (.020)		
Fractional ± .8 (.030)	Title LIGHTED ROTARY CIGARETTE PLUG WITH 10AMP SWITCH AND 5AMP FUSE	
Angular ± 3°	Date 11/15/03	Drawing Number AP120
	Approved By T.B.	