



Chipsmall Limited consists of a professional team with an average of over 10 year of expertise in the distribution of electronic components. Based in Hongkong, we have already established firm and mutual-benefit business relationships with customers from,Europe,America and south Asia,supplying obsolete and hard-to-find components to meet their specific needs.

With the principle of “Quality Parts,Customers Priority,Honest Operation,and Considerate Service”,our business mainly focus on the distribution of electronic components. Line cards we deal with include Microchip,ALPS,ROHM,Xilinx,Pulse,ON,Everlight and Freescale. Main products comprise IC,Modules,Potentiometer,IC Socket,Relay,Connector.Our parts cover such applications as commercial,industrial, and automotives areas.

We are looking forward to setting up business relationship with you and hope to provide you with the best service and solution. Let us make a better world for our industry!



Contact us

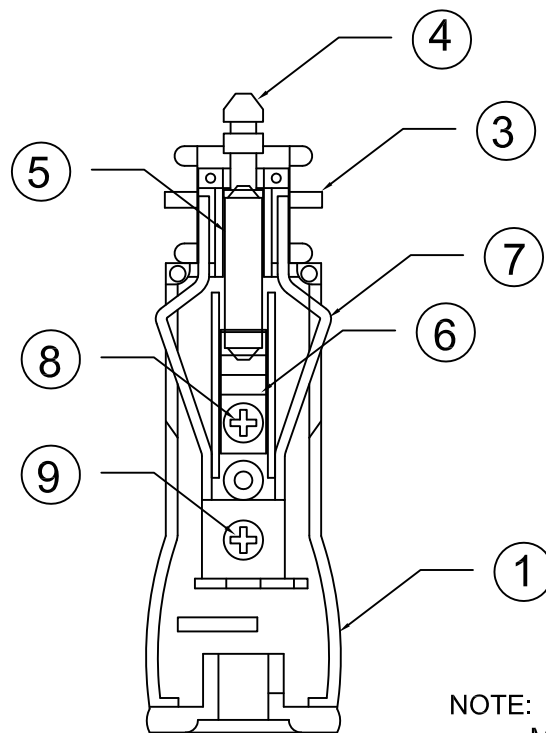
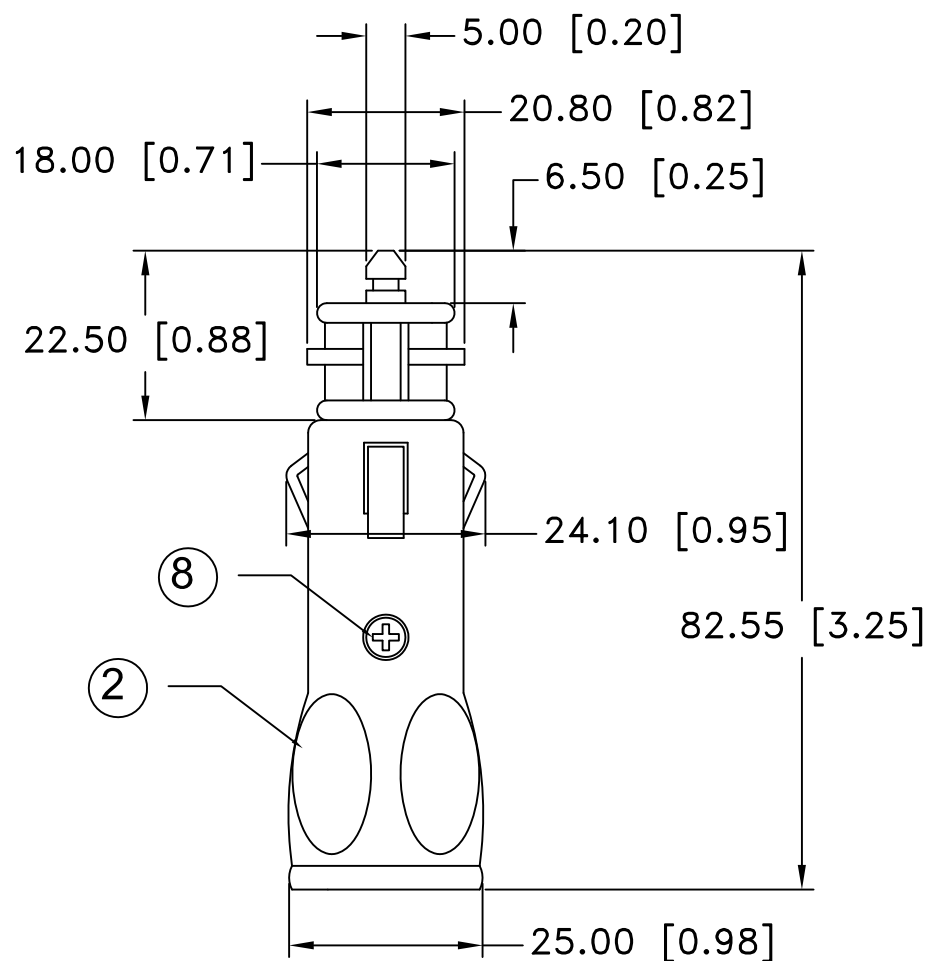
Tel: +86-755-8981 8866 Fax: +86-755-8427 6832

Email & Skype: info@chipsmall.com Web: www.chipsmall.com

Address: A1208, Overseas Decoration Building, #122 Zhenhua RD., Futian, Shenzhen, China



Date	SYM	REVISION RECORD	AUTH	DR.	CK.
03/15/03	A	5 AMP. FUSE WAS 8AMP.	T.B.	B.S.	
04/05/03	B	CHANGED TITLE	T.B.	B.S.	
10/28/06	C	ADDED "ROHS COMPLIANT"	T.B.	B.S.	
05/04/12	D	ADDED NOTE TO REMOVE RED CAP	T.B.	B.S.	



NOTE:
 MAXIMUM RATING: 5AMP.
 ROHS COMPLIANT
 REMOVE THE RED CAP FOR DIN 4165 APPLICATION

ITEM NO.	PART NAME	MATL. SPECIFICATION	Tolerance (Except as noted)	MPD Memory Protection Devices, Inc 200 Broad Hollow Road, Farmingdale, New York 11735		
1	BOTTOM COVER	ABS, UL94-HB, FILE NO. E56070(S)	decimal		Scale	Drawn By B.S.
2	TOP COVER	ABS, UL94-HB, FILE NO. E56070(S)	±.020 (.5)			Approved By T.B.
3	JOINT	NYLON 66	Fractional	Title CIGARETTE LIGHTER PLUG FOR 21 OR 22.2 mm DIA. SOCKETS OR DIN 4165		
4	COPPER WIRE	BRASS, NICKEL PLATED	± .030 (.8)	Date	Drawing Number	
5	FUSE	5 AMP	Angular	05/04/12	AP-124	
6	+VE SPRING	PHOSPH. COPPER, NICKEL PLTD	± 3°			
7	-VE SPRING	BRASS, NICKEL PLATED				
8	SELF TAPPING SCREW	STEEL				
9	SELF TAPPING SCREW	STEEL				