



Chipsmall Limited consists of a professional team with an average of over 10 year of expertise in the distribution of electronic components. Based in Hongkong, we have already established firm and mutual-benefit business relationships with customers from,Europe,America and south Asia,supplying obsolete and hard-to-find components to meet their specific needs.

With the principle of “Quality Parts,Customers Priority,Honest Operation,and Considerate Service”,our business mainly focus on the distribution of electronic components. Line cards we deal with include Microchip,ALPS,ROHM,Xilinx,Pulse,ON,Everlight and Freescale. Main products comprise IC,Modules,Potentiometer,IC Socket,Relay,Connector.Our parts cover such applications as commercial,industrial, and automotives areas.

We are looking forward to setting up business relationship with you and hope to provide you with the best service and solution. Let us make a better world for our industry!



Contact us

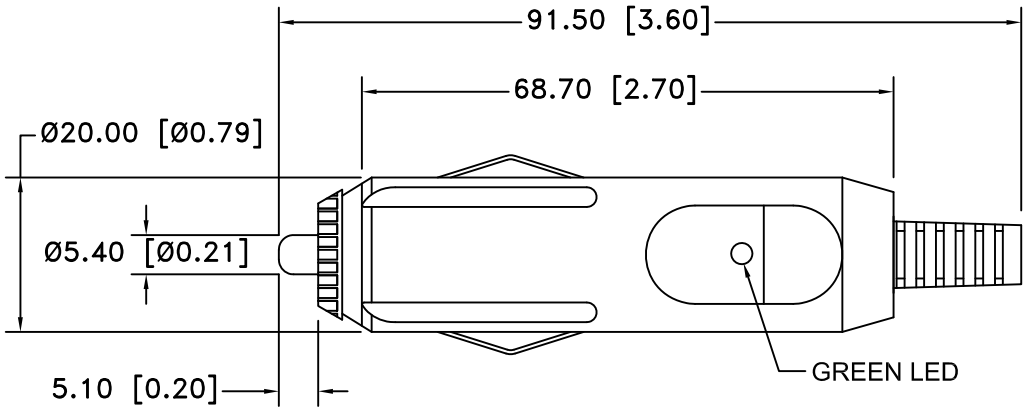
Tel: +86-755-8981 8866 Fax: +86-755-8427 6832

Email & Skype: info@chipsmall.com Web: www.chipsmall.com


Address: A1208, Overseas Decoration Building, #122 Zhenhua RD., Futian, Shenzhen, China



Date	SYM	REVISION RECORD	AUTH	DR.	CK.
02/24/12	A	UPDATED NOTES AND TITLE	T.B.	B.S.	
07/20/12	B	UPDATED NOTES TO ADD ABS GRADE AND TEMP. RANGE	T.B.	B.S.	



NOTE:
 CASING: ABS PA765
 CAP: ABS PA765
 TEMPERATURE RANGE: -30°C TO +85°C
 TERMINALS: STEEL, NICKEL PLATED
 TIP: BRASS, NICKEL PLATED
 FUSE: 3AMP., 250V, GLASS
 LED: GREEN, T-1, 3mm
 SPRING: SWG, ZINC PLATED
 ROHS COMPLIANT
 CE LISTED

Tolerance (Except as noted)	 Memory Protection Devices, Inc 200 Broad Hollow Road, Farmingdale, New York 11735	Scale	Drawn By B.S.
			Approved By T.B.
decimal $\pm .5$ (.020)	Title AUTO PLUG FOR 21mm AND 22.2mm SOCKETS WITH FUSE AND GREEN LED		
Fractional $\pm .8$ (.030)		Date 07/20/12	Drawing Number AP-129-GRN
Angular $\pm 3^\circ$			