



Chipsmall Limited consists of a professional team with an average of over 10 year of expertise in the distribution of electronic components. Based in Hongkong, we have already established firm and mutual-benefit business relationships with customers from,Europe,America and south Asia,supplying obsolete and hard-to-find components to meet their specific needs.

With the principle of “Quality Parts,Customers Priority,Honest Operation,and Considerate Service”,our business mainly focus on the distribution of electronic components. Line cards we deal with include Microchip,ALPS,ROHM,Xilinx,Pulse,ON,Everlight and Freescale. Main products comprise IC,Modules,Potentiometer,IC Socket,Relay,Connector.Our parts cover such applications as commercial,industrial, and automotives areas.

We are looking forward to setting up business relationship with you and hope to provide you with the best service and solution. Let us make a better world for our industry!



Contact us

Tel: +86-755-8981 8866 Fax: +86-755-8427 6832

Email & Skype: info@chipsmall.com Web: www.chipsmall.com

Address: A1208, Overseas Decoration Building, #122 Zhenhua RD., Futian, Shenzhen, China



RoHS Compliant

Micro SATA Disk Chip

μSDC-M Plus Product Specifications (Toshiba 15nm)

February 15, 2016

Version 1.4



Apacer Technology Inc.

1F, No.32, Zhongcheng Rd., Tucheng Dist., New Taipei City, Taiwan, R.O.C

Tel: +886-2-2267-8000 Fax: +886-2-2267-2261

www.apacer.com

Features:

- **Standard Serial ATA Interface**
 - SATA 6.0 Gbps interface compliance
 - ATA-compatible command set
- **Capacity**
 - 8, 16, 32, 64, 128 GB
- **Performance***
 - Sustained read: up to 495 MB/sec
 - Sustained write: up to 175 MB/sec
- **Flash Management**
 - Supports ECC up to 72 bit correction per 1K Byte data
 - Wear leveling
 - Flash bad-block management
 - S.M.A.R.T.
 - Power Failure Management
 - ATA Secure Erase
 - TRIM
- **NAND Flash Type: MLC**
- **Temperature Range**
 - Operating:
 - Standard: 0°C to 70°C
 - Extended: -40°C to 85°C
 - Storage: -40°C to 85°C
- **Supply Voltage**
 - 3.3V ± 5%
 - 1.8V ± 5%
 - 1.2V ± 5%
- **Power Consumption* @3.3V**
 - Active mode : 440 mA
 - Idle mode : 135 mA
- **SATA Power Management**
 - Partial mode
 - Slumber mode
 - Device Sleep mode
- **Package**
 - 16 x 20 x 1.4, unit : mm
 - 156 Ball
- **Form Factor**
 - JEDEC MO-276
- **Write Protect**
- **RoHS Compliant**

*Varies from capacities. The values for performances and power consumptions presented are typical and may vary depending on flash configurations or platform settings.

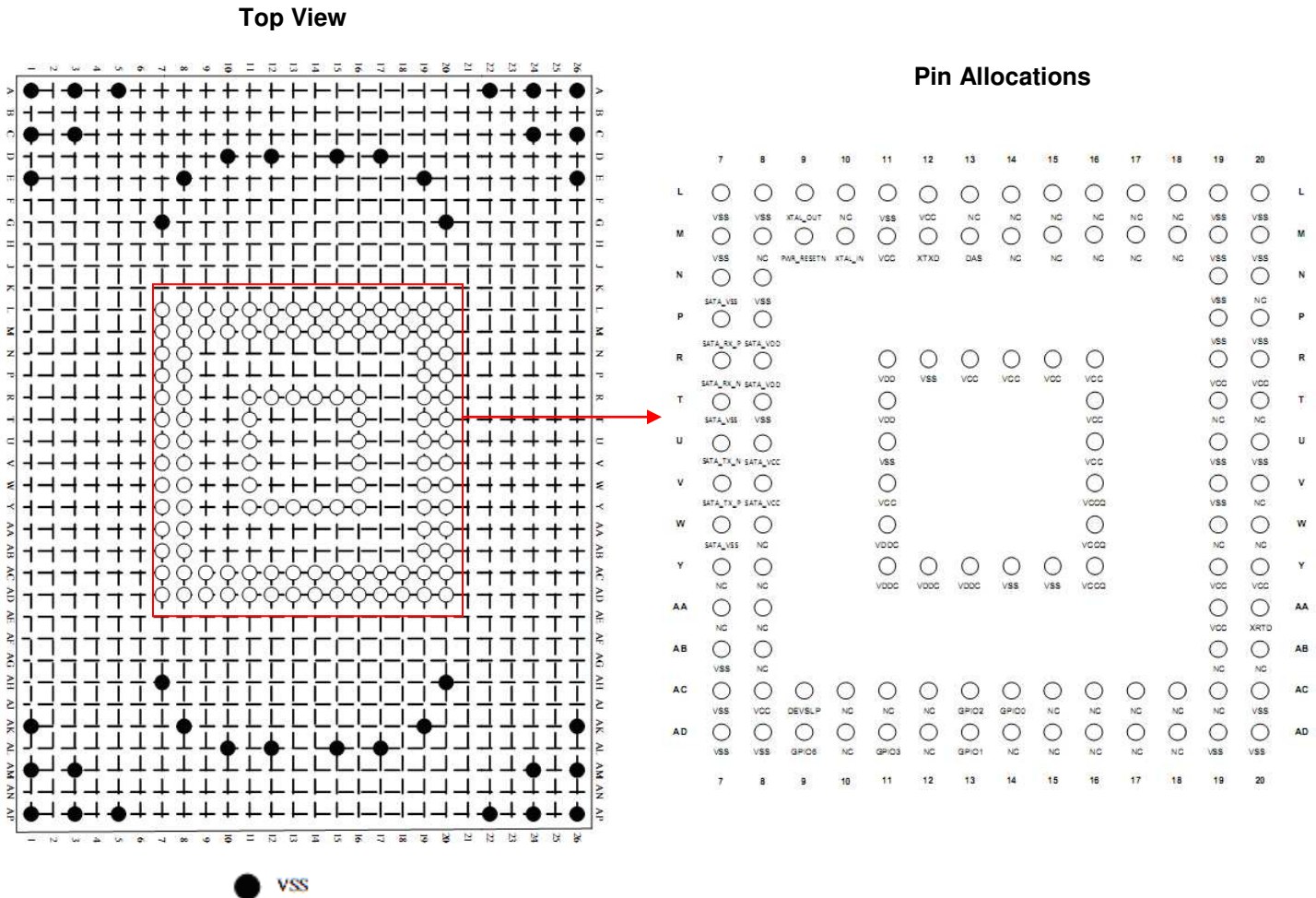
Table of Contents

1. GENERAL DESCRIPTION	3
2. PIN ASSIGNMENTS	3
3. PRODUCT SPECIFICATIONS.....	8
3.1 CAPACITY	8
3.2 PERFORMANCE	8
3.3 ENVIRONMENTAL SPECIFICATIONS	9
3.4 CERTIFICATION AND COMPLIANCE	9
4. FLASH MANAGEMENT	10
4.1 ERROR CORRECTION/DETECTION	10
4.2 FLASH BLOCK MANAGEMENT	10
4.3 WEAR LEVELING	10
4.4 POWER FAILURE MANAGEMENT.....	10
4.5 ATA SECURE ERASE	11
4.6 S.M.A.R.T.....	11
4.7 TRIM	11
4.8 SATA POWER MANAGEMENT	11
5. SOFTWARE INTERFACE	12
5.1 COMMAND SET	12
6. ELECTRICAL SPECIFICATIONS	13
6.1 OPERATING VOLTAGE	13
6.2 POWER CONSUMPTION	13
6.3 μSDC POWER CURRENT & CIRCUIT	14
7. MECHANICAL SPECIFICATIONS	16
8. PRODUCT ORDERING INFORMATION	19
8.1 PRODUCT CODE DESIGNATION	19
8.2 VALID COMBINATIONS	20

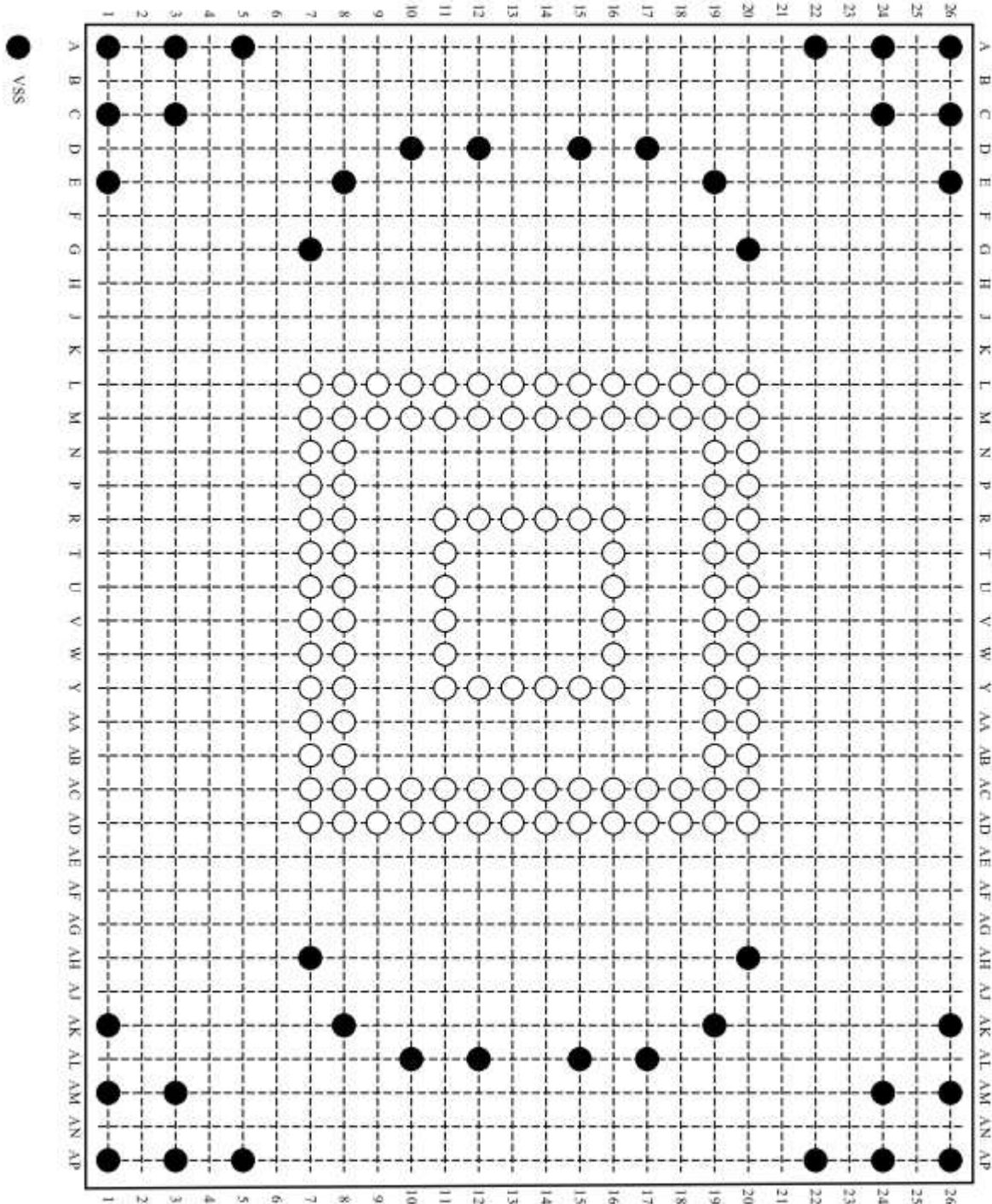
1. General Description

Apacer Micro SDC (Micro SATA Disk Chip, μSDC) presents a revolutionary breakthrough of NAND flash storage technology. This micro sized SSD delivers all the technological benefits in NAND based storage solution with ultra speed SATA 6.0 Gbps interface in an embedded BGA form factor, compatible with JEDEC MO-276. Formed in a size of an IC chip, the speedy μSDC can offer up to 128GB in capacity and the performance level can reach up to 495 MB/s for read and 175 MB/s for write. With its micro-size and ultra speed, the μSDC is definitely the ideal storage solution for high performance demand mobile devices.

2. Pin Assignments



Top View (enlarged image)



μSDC Plus AP-USDCxxxXX49-XTM1

Pin Allocations (enlarged image)

	7	8	9	10	11	12	13	14	15	16	17	18	19	20	
L	○	○	○	○	○	○	○	○	○	○	○	○	○	○	L
	VSS	VSS	XTAL_OUT	NC	VSS	VCC	NC	NC	NC	NC	NC	NC	VSS	VSS	
M	○	○	○	○	○	○	○	○	○	○	○	○	○	○	M
	VSS	NC	PWR_RESETN	XTAL_IN	VCC	XTXD	DAS	NC	NC	NC	NC	NC	VSS	VSS	
N	○	○											○	○	N
	SATA_VSS	VSS											VSS	NC	
P	○	○											○	○	P
	SATA_RX_P	SATA_VDD											VSS	VSS	
R	○	○			○	○	○	○	○	○	○		○	○	R
	SATA_RX_N	SATA_VDD			VDD	VSS	VCC	VCC	VCC	VCC			VCC	VCC	
T	○	○			○					○			○	○	T
	SATA_VSS	VSS			VDD					VCC			NC	NC	
U	○	○			○					○			○	○	U
	SATA_TX_N	SATA_VCC			VSS					VCC			VSS	VSS	
V	○	○			○					○			○	○	V
	SATA_TX_P	SATA_VCC			VCC					VCCQ			VSS	NC	
W	○	○			○					○			○	○	W
	SATA_VSS	NC			VDDC					VCCQ			NC	NC	
Y	○	○			○	○	○	○	○	○			○	○	Y
	NC	NC			VDDC	VDDC	VDDC	VSS	VSS	VCCQ			VCC	VCC	
AA	○	○											○	○	AA
	NC	NC											VCC	XRTD	
AB	○	○											○	○	AB
	VSS	NC											NC	NC	
AC	○	○	○	○	○	○	○	○	○	○	○	○	○	○	AC
	VSS	VCC	DEVSLP	NC	NC	NC	GPIO2	GPIO0	NC	NC	NC	NC	NC	VSS	
AD	○	○	○	○	○	○	○	○	○	○	○	○	○	○	AD
	VSS	VSS	GPIO6	NC	GPIO3	NC	GPIO1	NC	NC	NC	NC	NC	VSS	VSS	
	7	8	9	10	11	12	13	14	15	16	17	18	19	20	

Pin Description

Name (Bottom view)	BGA156 (Top view)	Type (I/O)	Description
UART/GPIO			
XTXD	M12	O	UART transmit/receive port (For Apacer internal debug use)
XRXD	AA20	I	
GPIO0*	AC14	IO	General purpose input/output pins
GPIO1*	AD13		
GPIO2*	AC13		
GPIO3*	AD11		
GPIO6*	AD9		
SATA_RX_N SATA_RX_P	R7 P7	I	Differential signal pair A. SATA device receive signal differential pair
SATA_TX_N SATA_TX_P	U7 V7	O	Differential signal pair B. SATA device transmit signal differential pair
DAS	M13	O	Device activity signal
SATA_VCC	U8, V8		+3.3V
SATA_VDD	P8, R8		+1.2V
SATA_VSS	N7, T7, W7		Ground
Control Signals			
XTAL_IN XTAL_OUT	M10 L9	I O	Crystal input/output pin (40MHz)
PWR_RESETN	M9	I	Hardware reset, low active
Power Supply Signals			
VCC	L12, M11, R13, R14, R15, R16, R19, R20, T16, U16, V11, Y19, Y20, AA19, AC8		+3.3V
VDDC	W11, Y11, Y12, Y13		+1.2V
VCCQ	V16, W16, Y16		+1.8V
VDD	R11, T11		+1.2V for PLL
GND Signals			
VSS	R12, U11, L7, L8, M7, L11, L19, L20, M19, M20, N19, P19, AC20, AD20, AD19, AD8, T8, Y14, Y15, U19, P20, U20, V19, AC7, AB7, N8, A1, C1, E1, AK1, AM1		Ground
VSS	AP1, A3, C3, AM3, AP3, A5,		Ground

μSDC Plus
AP-USDCxxxXX49-XTM1

	AP5, G7, AH7, E8, AK8, D10, AL10, D12, AL12, D15, AL15, D17, AL17, E19, AK19, G20, AH20, A22, AP22, A24, C24, AM24, AP24, A26, C26, E26, AK26, AM26, AP26		
Other Signals			
DEVSLP	AC9	I	Device Sleep
NC	AA7, AB19, AB20, AB8, AC10, AC11, AC15, AC16, AC17, AC18, AC19, AD10, AD12, AD14, AD15, AD16, AD17, AD18, L10, M16, M17, M8, T19, T20, W19, W8, Y7, Y8, L13, L14, M14, M15, M18, N20, V20, W20, AC12		DNU
DEBUG	L15, L16, L17, L18, AA8, AD7		For Apacer internal debug use (AD7- Standard definition : VSS Apacer definition : for debug)

*The GPIO pins are non-connected by default. For specific configurations for the GPIO pins, such as Apacer Security Features, please consult with Apacer product managers or sales representatives for further details.

3. Product Specifications

3.1 Capacity

Table 3-1 Capacity Specifications

Capacity	Total bytes*	Cylinders	Heads	Sectors	Max LBA
8 GB	8,012,390,400	15,525	16	63	15,649,200
16 GB	16,013,942,784	16,383	16	63	31,277,232
32 GB	32,017,047,552	16,383	16	63	62,533,296
64 GB	64,023,257,088	16,383	16	63	125,045,424
128 GB	128,035,676,160	16,383	16	63	250,069,680

*Display of total bytes varies from file systems.

**Cylinders, heads or sectors are not applicable for these capacities. Only LBA addressing applies.

LBA count addressed in the table above indicates total user storage capacity and will remain the same throughout the lifespan of the device. However, the total usable capacity of the SSD is most likely to be less than the total physical capacity because a small portion of the capacity is reserved for device maintenance usages.

3.2 Performance

Table 3-2 Performance

Capacity	8 GB	16 GB	32 GB	64 GB	128 GB
Performance					
Sustained read (MB/s)	140	245	420	450	495
Sustained write (MB/s)	105	170	155	165	175

Note:

Results may differ from various flash configurations or host system settings.

IOPS results were measured on 8GB span (16777216 sectors Disk Size), 32 Outstanding I/Os (QD=32), Full Random Data pattern, 4KB Align I/Os and test time duration was 15 minutes.

3.3 Environmental Specifications

Table 3-3 Environmental Specifications

Item	Specifications
Operating temperature (Standard)	0°C to 70°C
Operating temperature (Extended)	-40°C to 85°C
Storage temperature	-40°C to 85°C
ESD (Electrostatic Discharge)*	23°C, 49% (RH)
Acoustic	0dB

*Device functions are affected, but EUT will be back to its normal or operational state automatically.

3.4 Certification and Compliance

- CE
- FCC
- RoHS
- BSMI

4. Flash Management

4.1 Error Correction/Detection

The ECC engine in this device can detect and correct up to 72 bits error in 1K bytes.

4.2 Flash Block Management

Bad blocks are blocks that include one or more invalid bits, and their reliability is not guaranteed. Blocks that are identified and marked as bad by the manufacturer are referred to as “Initial Bad Blocks”. Bad blocks that are developed during the lifespan of the flash are named “Later Bad Blocks”. Thus, this device implements an efficient bad block management algorithm to detect the factory-produced bad blocks and manages any bad blocks that appear with use. This practice further prevents data being stored into bad blocks and improves the data reliability.

4.3 Wear Leveling

NAND Flash devices can only undergo a limited number of program/erase cycles, and in most cases, the flash media are not used evenly. If some area get updated more frequently than others, the lifetime of the device would be reduced significantly. Thus, Wear Leveling technique is applied to extend the lifespan of NAND Flash by evenly distributing write and erase cycles across the media. Apacer provides advanced Wear Leveling algorithm, which can efficiently spread out the flash usage through the whole flash media area. Moreover, by implementing both dynamic and static Wear Leveling algorithms, the life expectancy of the NAND Flash is greatly improved.

4.4 Power Failure Management

Power Loss Protection is a mechanism to prevent data loss during unexpected power failure. DRAM is a volatile memory and frequently used as temporary cache or buffer between the controller and the NAND flash to improve the SSD performance. However, one major concern of the DRAM is that it is not able to keep data during power failure. Accordingly, the μSDC applies the flushing mechanism which requests the controller to transfer data to the cache. For this μSDC, SDR performs as a cache, and its sizes include 8MB or 32MB. Only when the data is fully committed to the NAND flash will the controller send acknowledgement to the host. Such implementation can prevent false-positive performance and the risk of power cycling issues.

Additionally, it is critical for a controller to shorten the time the in-flight data stays in the cache. Thus, the μSDC applies an algorithm to reduce the amount of data resides in the cache to provide a better performance by allowing incoming data to only have a “pit stop” in the cache and then move to the NAND flash at once. If the flash is jammed due to particular file sizes (random 4K), the cache will be treated as an “organizer”, consolidating incoming data into groups before written into the flash to improve write amplification.

In sum, with this power failure management, μSDC proves to provide the reliability required by consumer, industrial, and enterprise-level application.

4.5 ATA Secure Erase

ATA Secure Erase is an ATA disk purging command currently embedded in most of the storage drives. Defined in ATA specifications, (ATA) Secure Erase is part of Security Feature Set that allows storage drives to erase all user data areas. The erase process usually runs on the firmware level as most of the ATA-based storage media currently in the market are built-in with this command. ATA Secure Erase can securely wipe out the user data in the drive and protects it from malicious attack.

4.6 S.M.A.R.T.

SMART, an acronym for Self-Monitoring, Analysis and Reporting Technology, is an open standard that allows a hard disk drive to automatically detect its health and report potential failures. When a failure is recorded by SMART, users can choose to replace the drive to prevent unexpected outage or data loss. Moreover, SMART can inform users of impending failures while there is still time to perform proactive actions, such as copy data to another device.

4.7 TRIM

TRIM is a feature which helps improve the read/write performance and speed of solid-state drives (SSD). Unlike hard disk drives (HDD), SSDs are not able to overwrite existing data, so the available space gradually becomes smaller with each use. With the TRIM command, the operating system can inform the SSD which blocks of data are no longer in use and can be removed permanently. Thus, the SSD will perform the erase action, which prevents unused data from occupying blocks all the time.

4.8 SATA Power Management

By complying with SATA 6.0 Gb/s specifications, the SSD supports the following SATA power saving modes:

- ACTIVE: PHY ready, full power, Tx & Rx operational
- PARTIAL: Reduces power, resumes in under 10 μs (microseconds)
- SLUMBER: Reduces power, resumes in under 10 ms (milliseconds)
- DEVSLP (Device Sleep): triggered by interface signal, PHY might be powered down, the device in a almost shut down state, consuming less power than Slumber mode, host support required for this mode

Note: the behaviors of power management features would depend on host/device settings.

5. Software Interface

5.1 Command Set

Code	Command	Code	Command
00h	NOP	97h	Idle
06h	Data Set Management	98h	Check Power Mode
10h-1Fh	Recalibrate	99h	Sleep
20h	Read Sectors	B0h	SMART
21	Read Sectors without Retry	B1h	Device Configurations
24h	Read Sectors EXT	C4h	Read Multiple
25h	Read DMA EXT	C5h	Write Multiple
27h	Read Native Max Address EXT	C6h	Set Multiple Mode
29h	Read Multiple EXT	C8h	Read DMA
2Fh	Read Log EXT	C9h	Read DMA without Retry
30h	Write Sectors	CAh	Write DMA
31h	Write Sectors without Retry	CBh	Write DMA without Retry
34h	Write Sectors EXT	CEh	Write Multiple FUA EXT
35h	Write DMA EXT	E0h	Standby Immediate
37h	Set Native Max Address EXT	E1h	Idle Immediate
38h	CFA Write Sectors without Erase	E2h	Standby
39h	Write Multiple EXT	E3h	Idle
3Dh	Write DMA FUA EXT	E4h	Read Buffer
3Fh	Write Long EXT	E5h	Check Power Mode
40h	Read Verify Sectors	E6h	Sleep
41h	Read Verify Sectors without Retry	E7h	Flush Cache
42h	Read Verify Sectors EXT	E8h	Write Buffer
45h	Write Uncorrectable EXT	EAh	Flush Cache EXT
60h	Read FPDMA Queued	ECh	Identify Device
61h	Write FPDMA Queued	EFh	Set Features
70h-7Fh	Seek	F1h	Security Set Password
90h	Execute Device Diagnostic	F2h	Security Unlock
91h	Initialize Device Parameters	F3h	Security Erase Prepare
92h	Download Microcode	F4h	Security Erase Unit
93h	Download Microcode DMA	F5h	Security Freeze Lock
94h	Standby Immediate	F6h	Security Disable Password
95h	Idle Immediate	F8h	Read Native Max Address
96h	Standby	F9h	Set Max Address

6. Electrical Specifications

6.1 Operating Voltage

Table 6-1 lists the supply voltage for μSDC.

Table 6-1 Operating Voltage

Parameter	Voltage	Range
VCC	3.3V	3.135V ~ 3.465V
VCCQ	1.8V	1.71V ~ 1.89V
VDDC	1.2V	1.14V ~ 1.26V
VDD	1.2V	1.14V ~ 1.26V

6.2 Power Consumption

Table 6-2 lists the power consumption for μSDC.

Table 6-2 Power Consumption Based on 3.3V (typical)

Capacity	8 GB	16 GB	32 GB	64 GB	128 GB
Modes					
Active (mA)	300	355	400	410	440
Idle (mA)	135	135	135	135	135

Note: Results may differ from various flash configurations or platforms.

6.3 μSDC Power Current & Circuit

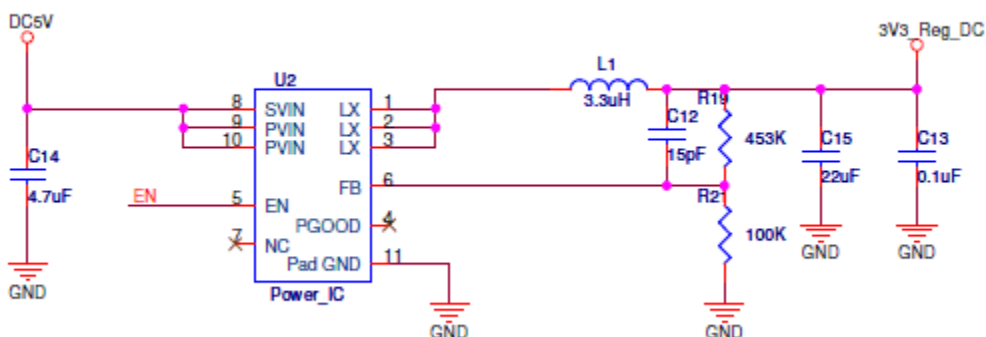
Since the μSDC operates on 3 levels of voltage requirements: 3.3V, 1.8V and 1.2V, the power current measurements were conducted respectively.

Table 6-3 Typical Power Consumption (Unit: mA)

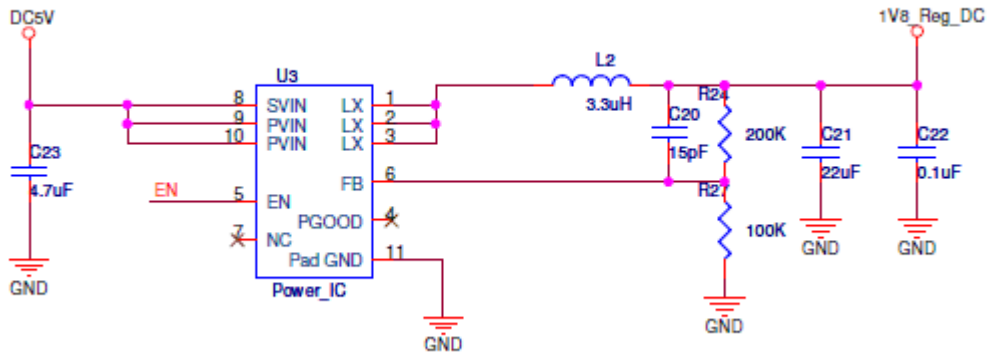
8GB	3.3v	1.8v	1.2v	16GB	3.3v	1.8v	1.2v
Power-on	220	80	300	Power-on	240	80	300
Idle	80	0.05	145	Idle	80	0.05	150
Active	100	70	360	Active	150	90	380
32GB	3.3v	1.8v	1.2v	64GB	3.3v	1.8v	1.2v
Power-on	280	80	300	Power-on	300	150	330
Idle	80	0.05	150	Idle	80	0.3	150
Active	190	120	470	Active	130	135	480
128GB	3.3v	1.8v	1.2v	(Data for 128GB is not explicitly provided in the table)			
Power-on	300	150	350				
Idle	80	0.3	150				
Active	150	145	470				

Notes: The results of “typical” power consumption were based on the maximum value measured from the experiment.

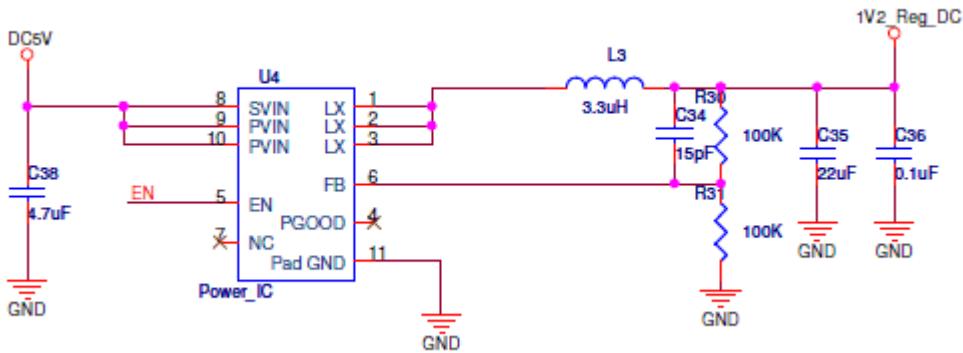
+3V3 Circuit



+1V8 Circuit

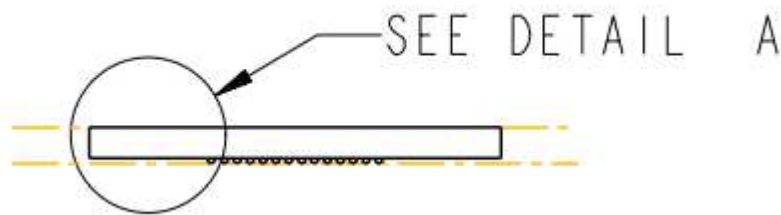
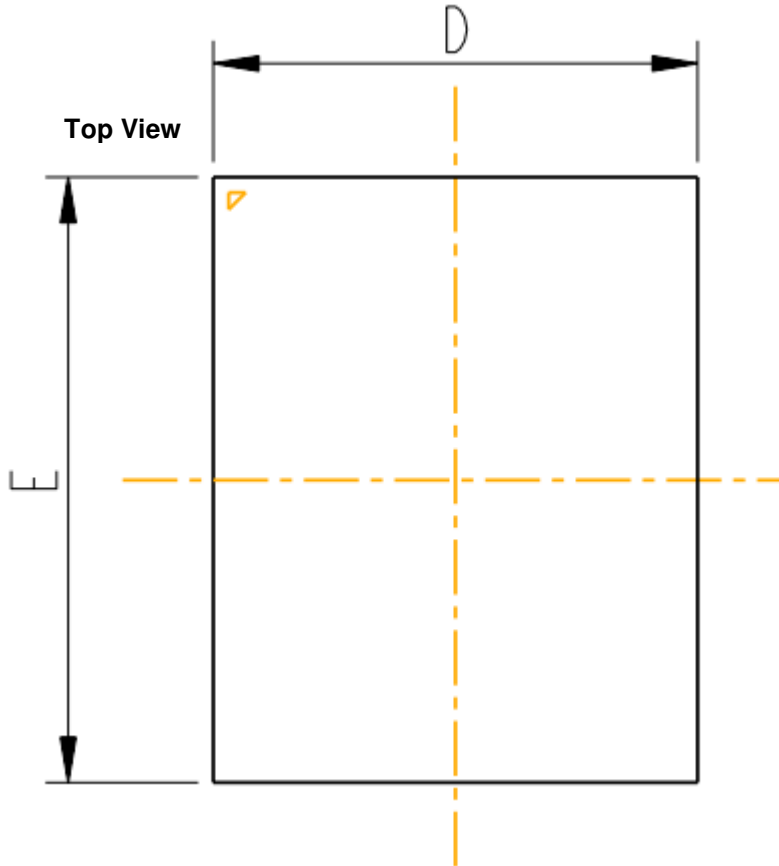


+1V2 Circuit



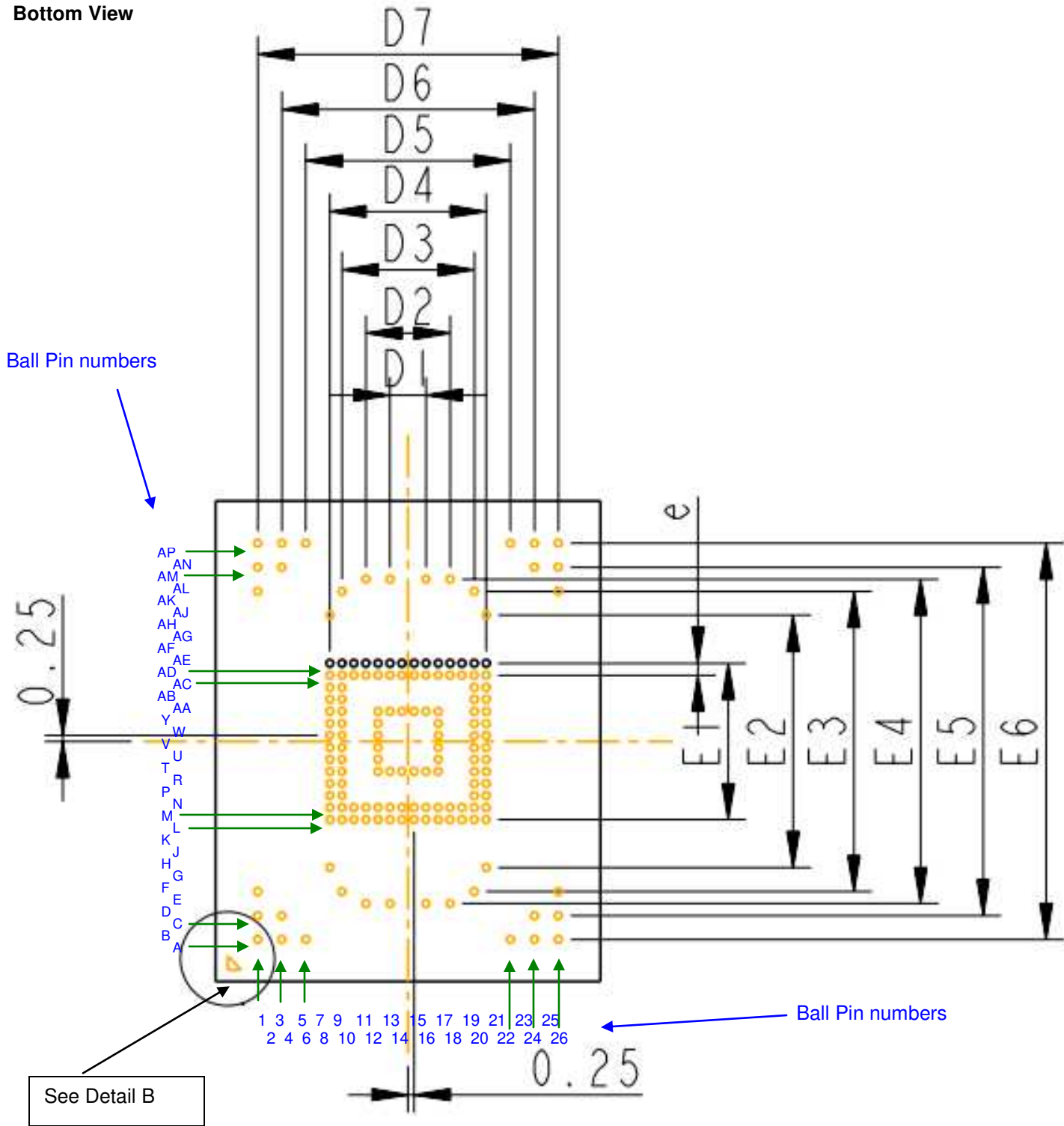
Notes: the Power IC used in the diagrams above is able to deliver up to 3A output current in case of changes or replacement in NAND Flash memories.

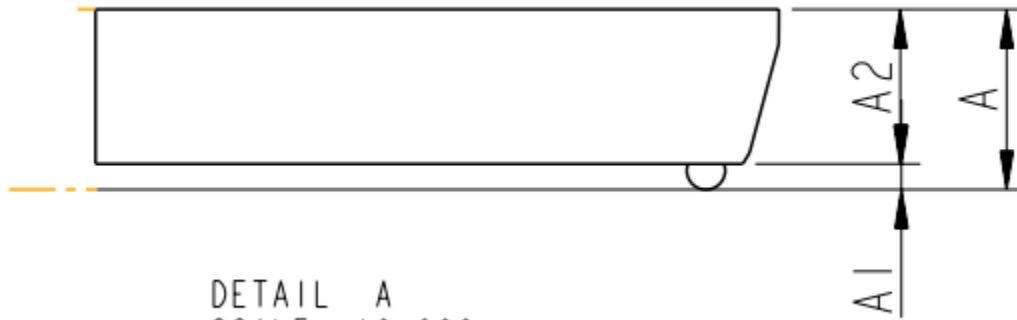
7. Mechanical Specifications



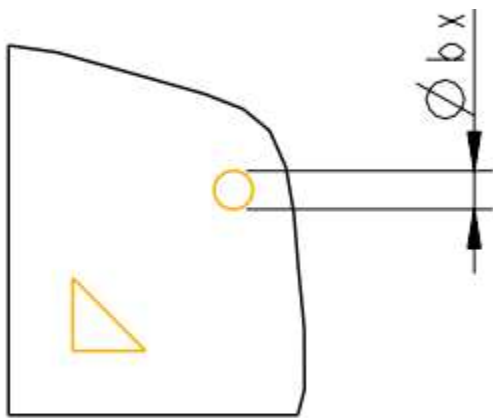
μSDC Plus
AP-USDCxxxXX49-XTM1

Bottom View





DETAIL A
 SCALE 10.000

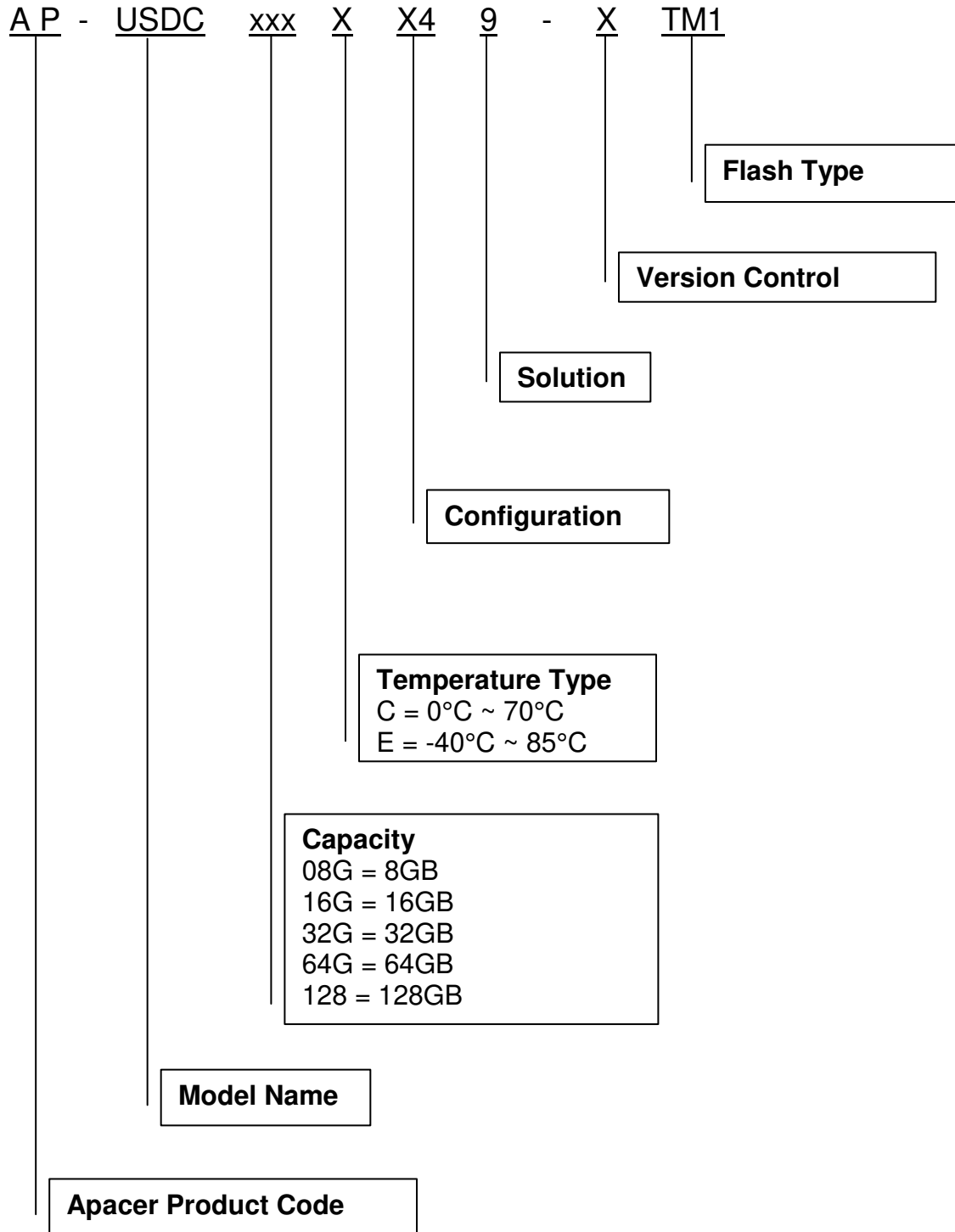


DETAIL B
 SCALE 10.000

Symbol	Dimension		
	MIN	NOM	MAX
A	---	---	1.40
A1	0.15	---	---
A2	---	---	1.20
D	15.85	16	16.15
E	19.85	20	20.15
D1	---	1.5	---
D2	---	3.5	---
D3	---	5.5	---
D4	---	6.5	---
D5	---	8.5	---
D6	---	10.5	---
D7	---	12.5	---
E1	---	6.5	---
E2	---	10.5	---
E3	---	12.5	---
E4	---	13.5	---
E5	---	14.5	---
E6	---	16.5	---
e	---	0.50	---
b	0.25	0.30	0.35

8. Product Ordering Information

8.1 Product Code Designation



8.2 Valid Combinations

8.2.1 Without Write Protect

8.2.1.1 Standard Temperature (0°C ~ 70°C)

Capacity	Part Number	Top Side Marking
8GB	AP-USDC08GC149-KTM1	SH9B-8GDCA110B
16GB	AP-USDC16GC249-KTM1	SH9B-16GDCA220B
32GB	AP-USDC32GC449-KTM1	SH9B-32GDCA440B
64GB	AP-USDC64GC449-KTM1	SH9B-64GDCA440B
128GB	AP-USDC128C849-KTM1	SH9B-128DCB480B

8.2.1.2 Extended Temperature (-40°C ~ 85°C)

Capacity	Part Number	Top Side Marking
8GB	AP-USDC08GE149-KTM1	SH9B-8GDEA110B
16GB	AP-USDC16GE249-KTM1	SH9B-16GDEA220B
32GB	AP-USDC32GE449-KTM1	SH9B-32GDEA440B
64GB	AP-USDC64GE449-KTM1	SH9B-64GDEB440B
128GB	AP-USDC128E849-KTM1	SH9B-128DEB480B

8.2.2 With Write Protect

8.2.2.1 Standard Temperature (0°C ~ 70°C)

Capacity	Part Number	Top Side Marking
8GB	AP-USDC08GC149-MTM1	SH9B-8GDCA11MB
16GB	AP-USDC16GC249-MTM1	SH9B-16GDCA22MB
32GB	AP-USDC32GC449-MTM1	SH9B-32GDCA44MB
64GB	AP-USDC64GC449-MTM1	SH9B-64GDCA44MB
128GB	AP-USDC128C849-MTM1	SH9B-128DCB48MB

8.2.2.2 Extended Temperature (-40°C ~ 85°C)

Capacity	Part Number	Top Side Marking
8GB	AP-USDC08GE149-MTM1	SH9B-8GDEA11MB
16GB	AP-USDC16GE249-MTM1	SH9B-16GDEA22MB
32GB	AP-USDC32GE449-MTM1	SH9B-32GDEA44MB
64GB	AP-USDC64GE449-MTM1	SH9B-64GDEB44MB
128GB	AP-USDC128E849-MTM1	SH9B-128DEB48MB

Note: Valid combinations are those products in mass production or will be in mass production. Consult your Apacer sales representative to confirm availability of valid combinations and to determine availability of new combinations.

Revision History

Revision	Date	Description	Remark
1.0	11/6/2015	Official release	
1.1	12/16/2015	Revised power consumption values.	
1.2	1/15/2016	Revised product ordering information	
1.3	1/26/2016	- Added write protect support - Revised product ordering information	
1.4	2/15/2016	Separated MLC and SLC-lite models into two different spec sheets	

Global Presence

Taiwan (Headquarters)	Apacer Technology Inc. 1F., No.32, Zhongcheng Rd., Tucheng Dist., New Taipei City 236, Taiwan R.O.C. Tel: 886-2-2267-8000 Fax: 886-2-2267-2261 amtsales@apacer.com
U.S.A.	Apacer Memory America, Inc. 46732 Lakeview Blvd., Fremont, CA 94538 Tel: 1-408-518-8699 Fax: 1-510-249-9568 sa@apacerus.com
Japan	Apacer Technology Corp. 5F, Matsura Bldg., Shiba, Minato-Ku Tokyo, 105-0014, Japan Tel: 81-3-5419-2668 Fax: 81-3-5419-0018 jpservices@apacer.com
Europe	Apacer Technology B.V. Science Park Eindhoven 5051 5692 EB Son, The Netherlands Tel: 31-40-267-0000 Fax: 31-40-267-0000#6199 sales@apacer.nl
China	Apacer Electronic (Shanghai) Co., Ltd Room D, 22/FL, No.2, Lane 600, JieyunPlaza, Tianshan RD, Shanghai, 200051, China Tel: 86-21-6228-9939 Fax: 86-21-6228-9936 sales@apacer.com.cn
India	Apacer Technologies Pvt Ltd, Unit No.201, "Brigade Corner", 7 th Block Jayanagar, Yediyur Circle, Bangalore – 560082, India Tel: 91-80-4152-9061 Fax: 91-80-4170-0215 sales_india@apacer.com