



Chipsmall Limited consists of a professional team with an average of over 10 year of expertise in the distribution of electronic components. Based in Hongkong, we have already established firm and mutual-benefit business relationships with customers from,Europe,America and south Asia,supplying obsolete and hard-to-find components to meet their specific needs.

With the principle of "Quality Parts,Customers Priority,Honest Operation,and Considerate Service",our business mainly focus on the distribution of electronic components. Line cards we deal with include Microchip,ALPS,ROHM,Xilinx,Pulse,ON,Everlight and Freescale. Main products comprise IC,Modules,Potentiometer,IC Socket,Relay,Connector.Our parts cover such applications as commercial,industrial, and automotives areas.

We are looking forward to setting up business relationship with you and hope to provide you with the best service and solution. Let us make a better world for our industry!



## Contact us

Tel: +86-755-8981 8866 Fax: +86-755-8427 6832

Email & Skype: info@chipsmall.com Web: www.chipsmall.com

Address: A1208, Overseas Decoration Building, #122 Zhenhua RD., Futian, Shenzhen, China





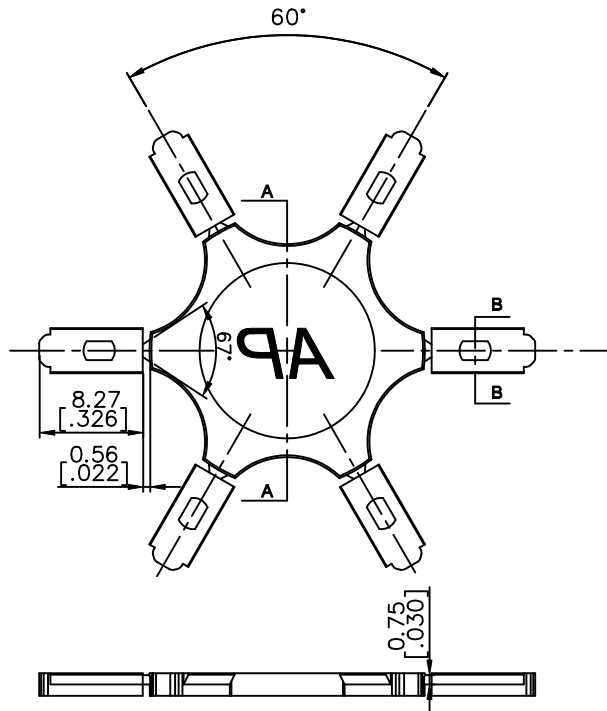
PRODUCT NUMBER  
20020802-001LF

NOTES:

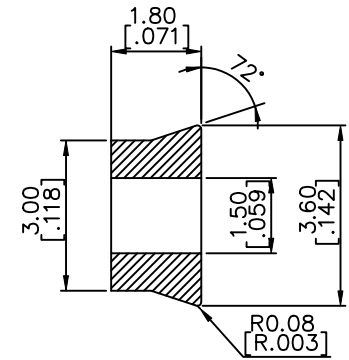
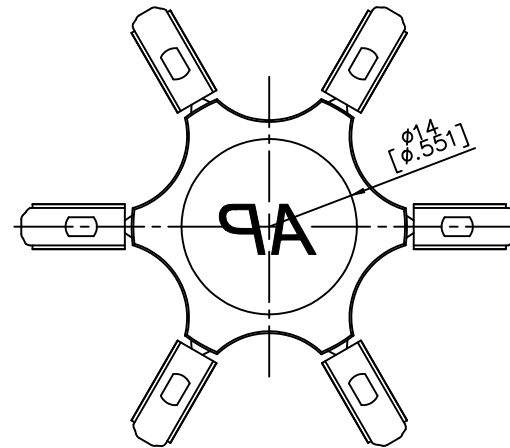
- 1. MATERIALS  
HOUSING: THERMALPLASTIC RESIN, UL 94V-0 RATED.
- 2. PRODUCT PACKING SPECIFICATION REFER TO FCI GS-14-1394.
- 3. THE PRODUCTS WHERE THE PART NUMBER END IN "LF" MEET THE EUROPEAN UNION DIRECTIVE AND OTHER COUNTRY REGULATIONS AS DESCRIBED IN GS-22-008.

20020802-001LF CAN BE USED FOR BELOW LIST:

FCI series name	P/N	FCI series name	P/N
27-762	20020518-MXXXXXXLF	28-1016	20020520-UXXXXXXLF
	20020519-MXXXXXXLF		20020521-UXXXXXXLF
07-762	20020618-MXXXXXXLF	29-1016	20020623-UXXXXXXLF
	20020619-MXXXXXXLF		20020624-UXXXXXXLF
	20020620-MXXXXXXLF		20020625-UXXXXXXLF
	20020621-MXXXXXXLF		20020626-UXXXXXXLF
20020622-MXXXXXXLF	20020627-UXXXXXXLF		
20020516-MXXXXXXLF	20020628-UXXXXXXLF		
04-762	20020517-MXXXXXXLF		



Sec. A-A



Section B-B

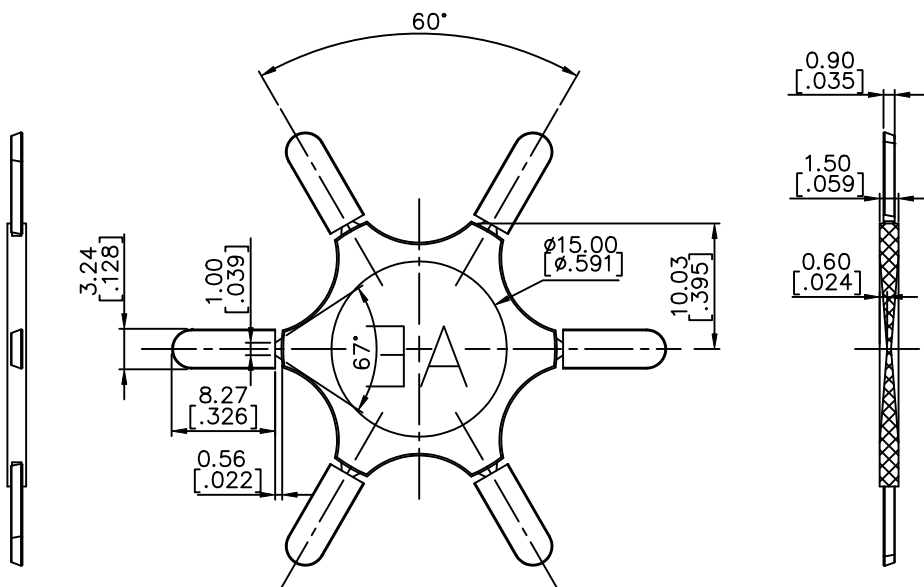
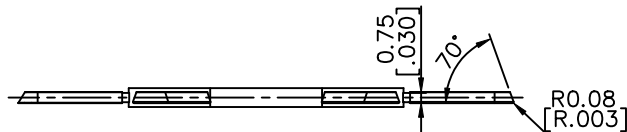
mat'l. code		surface ASME Y14.5		tolerance ASME Y14.5		projection		product family TERMINAL BLOCK			
ltr	ecn no	dr	date	tolerances unless otherwise specified		MM [INCH]		title TERMINAL BLOCK CODING KEY (AP SERIES)			
A	T10-0126	WL	080910	angles	X.±0.5	scale		dwg no		sheet 1 of 5	size
B	T10-0182	WL	112910	X'±1"	X.X±0.3			20020802			A4
C	T11-0009	WL	021411	X.XX±0.1				type		CUSTOMER Drawing	
D	T-006380	WL	092911	dr	WENDY CHEN	071410					
				enr	JASON HSU	071410					
				chr	GARY HSIEH	071410					
				appd	JOSEPH HSIA	071410					
sheet index	revision sheet	D	D	D	D	D	D				
		1	2	3	4	5					



PRODUCT NUMBER  
20020802-002LF

NOTES:

- MATERIALS  
HOUSING: THERMALPLASTIC RESIN, UL 94V-0 RATED.
- PRODUCT PACKING SPECIFICATION REFER TO FCI GS-14-1394.
- THE PRODUCTS WHERE THE PART NUMBER END IN "LF" MEET THE EUROPEAN UNION DIRECTIVE AND OTHER COUNTRY REGULATIONS AS DESCRIBED IN GS-22-008.



20020802-002LF CAN BE USED FOR BELOW LIST:

FCI series name	P/N	FCI series name	P/N	
01-500	20020001-GXXXXXXLF	03-508	20020012-HXXXXXXLF	
	20020002-GXXXXXXLF		20020013-HXXXXXXLF	
	20020004-GXXXXXXLF		20020014-HXXXXXXLF	
	20020005-GXXXXXXLF		20020015-HXXXXXXLF	
01-508	20020007-GXXXXXXLF	03-750	20020514-LXXXXXXLF	
	20020001-HXXXXXXLF	03-762	20020515-LXXXXXXLF	
	20020002-HXXXXXXLF		20020514-MXXXXXXLF	
	20020004-HXXXXXXLF	20020515-MXXXXXXLF		
01-750	20020005-HXXXXXXLF	32-508	20020022-HXXXXXXLF	
	20020007-HXXXXXXLF		20020023-HXXXXXXLF	
01-762	20020500-LXXXXXXLF		20020024-HXXXXXXLF	20020025-HXXXXXXLF
	20020501-LXXXXXXLF		20020026-HXXXXXXLF	20020027-HXXXXXXLF
02-500	20020500-MXXXXXXLF	35-500	20020035-GXXXXXXLF	
	20020501-MXXXXXXLF		20020036-GXXXXXXLF	
	20020008-GXXXXXXLF		20020038-GXXXXXXLF	
	20020009-GXXXXXXLF		20020039-GXXXXXXLF	
02-508	20020010-GXXXXXXLF	35-508	20020035-HXXXXXXLF	
	20020011-GXXXXXXLF		20020038-HXXXXXXLF	
	20020008-HXXXXXXLF	35-750	20020534-LXXXXXXLF	
	20020009-HXXXXXXLF		20020535-LXXXXXXLF	
20020010-HXXXXXXLF	20020536-LXXXXXXLF			
20020011-HXXXXXXLF	20020537-LXXXXXXLF			
02-750	20020508-LXXXXXXLF	35-762	20020538-LXXXXXXLF	
	20020509-LXXXXXXLF		20020539-LXXXXXXLF	
	20020510-LXXXXXXLF		20020534-MXXXXXXLF	
	20020511-LXXXXXXLF		20020535-MXXXXXXLF	
02-762	20020508-MXXXXXXLF	35-762	20020536-MXXXXXXLF	
	20020509-MXXXXXXLF		20020537-MXXXXXXLF	
	20020510-MXXXXXXLF		20020538-MXXXXXXLF	
	20020511-MXXXXXXLF		20020539-MXXXXXXLF	
03-500	20020012-GXXXXXXLF		20020539-MXXXXXXLF	
	20020013-GXXXXXXLF			

mat'l. code		surface ASME Y14.5	tolerance ASME Y14.5	projection	product family TERMINAL BLOCK	
ltr	ecn no	dr	date	title		
tolerances unless otherwise specified				 MM [INCH]	TERMINAL BLOCK CODING KEY (AE SERIES)	
angles		X.±0.5			dwg no	
X°±1'		X.X±0.3			sheet 2 of 5	
		X.XX±0.1		scale		size A4
		dr	WENDY CHEN	071410	FCI	
		enr	JASON HSU	071410	type	
		chr	GARY HSIEH	071410	CUSTOMER Drawing	
		appd	JOSEPH HSIA	071410		
sheet index	revision sheet					



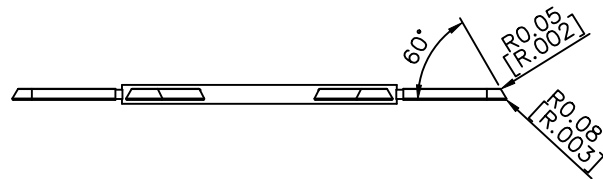
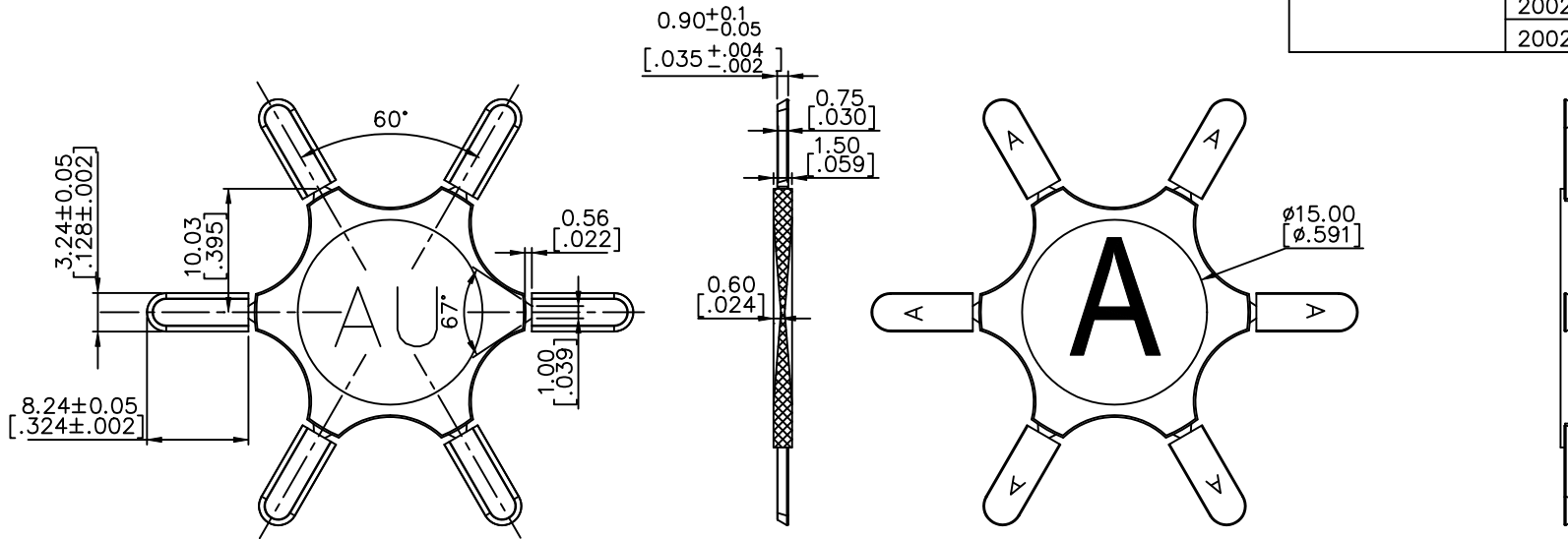
PRODUCT NUMBER  
20020802-003LF

NOTES:

- 1. MATERIALS  
HOUSING: THERMALPLASTIC RESIN, UL 94V-0 RATED.
- 2. PRODUCT PACKING SPECIFICATION REFER TO FCI GS-14-1394.
- 3. THE PRODUCTS WHERE THE PART NUMBER END IN "LF" MEET THE EUROPEAN UNION DIRECTIVE AND OTHER COUNTRY REGULATIONS AS DESCRIBED IN GS-22-008.

20020802-003LF CAN BE USED FOR BELOW LIST:

FCI series name	P/N
01-500	20020003-GXXXXXXLF
	20020006-GXXXXXXLF
01-508	20020003-HXXXXXXLF
	20020006-HXXXXXXLF
35-500	20020034-GXXXXXXLF
	20020037-GXXXXXXLF
35-508	20020034-HXXXXXXLF
	20020036-HXXXXXXLF
	20020037-HXXXXXXLF
	20020039-HXXXXXXLF



mat'l. code		surface ASME Y14.5	tolerance ASME Y14.5	projection MM INCH	product family TERMINAL BLOCK	
ltr	ecn no	dr	date	title		
tolerances unless otherwise specified				TERMINAL BLOCK CODING KEY (AE SERIES)		
angles		X±0.5		scale		
X°±1'		X.X±0.3		MM INCH		
		X.XX±0.1		type		
dr		WENDY CHEN	071410	dwg no		sheet 3 of 5
enr		JASON HSU	071410	20020802		A4
chr		GARY HSIEH	071410	CUSTOMER Drawing		
appd		JOSEPH HSIA	071410			
sheet index	revision sheet					



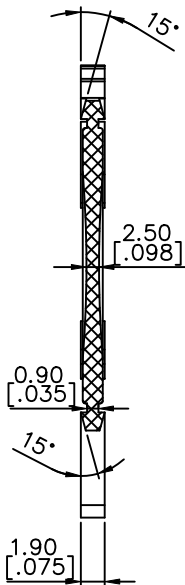
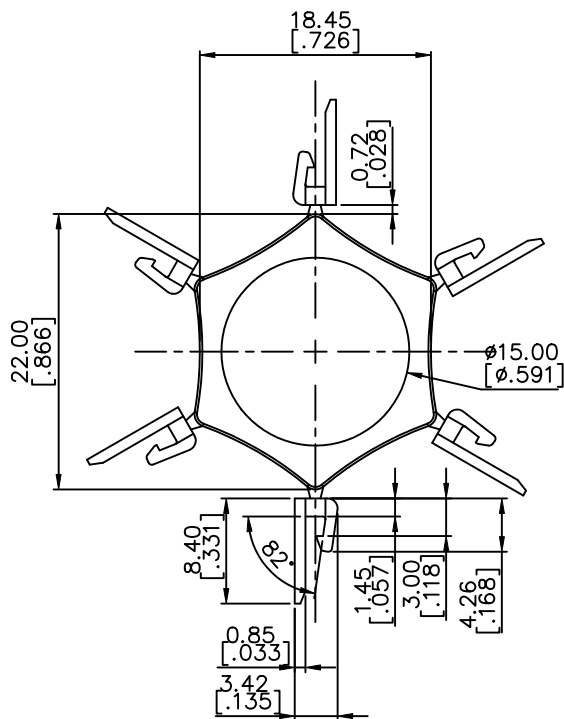
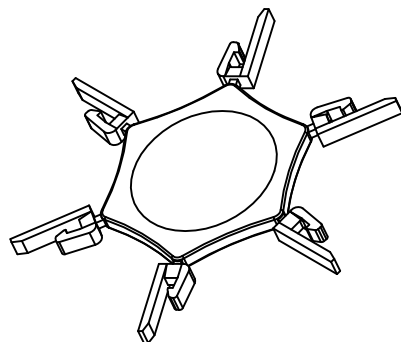
PRODUCT NUMBER
20020802-004LF

NOTES:

- MATERIALS  
HOUSING: THERMALPLASTIC RESIN, UL 94V-0 RATED.
- PRODUCT PACKING SPECIFICATION REFER TO FCI GS-14-1394.
- THE PRODUCTS WHERE THE PART NUMBER END IN "LF" MEET THE EUROPEAN UNION DIRECTIVE AND OTHER COUNTRY REGULATIONS AS DESCRIBED IN GS-22-008.

20020802-004LF CAN BE USED FOR BELOW LIST:

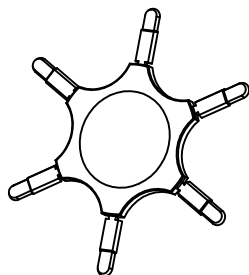
FCI series name	P/N	FCI series name	P/N	
06-500	20020106-GXXXXXXLF	06-762	20020606-MXXXXXXLF	
	20020107-GXXXXXXLF		20020607-MXXXXXXLF	
	20020108-GXXXXXXLF		20020608-MXXXXXXLF	
	20020109-GXXXXXXLF		20020609-MXXXXXXLF	
	20020110-GXXXXXXLF		20020610-MXXXXXXLF	
	20020111-GXXXXXXLF		20020611-MXXXXXXLF	
06-508	20020106-HXXXXXXLF	30-500	20020129-GXXXXXXLF	
	20020107-HXXXXXXLF		20020130-GXXXXXXLF	
	20020108-HXXXXXXLF		20020131-GXXXXXXLF	
	06-750	20020109-HXXXXXXLF	30-508	20020129-HXXXXXXLF
		20020110-HXXXXXXLF		20020130-HXXXXXXLF
		20020111-HXXXXXXLF		20020131-HXXXXXXLF
20020141-HXXXXXXLF				
20020606-LXXXXXXLF				
	20020607-LXXXXXXLF			
	20020608-LXXXXXXLF			
	20020609-LXXXXXXLF			
	20020610-LXXXXXXLF			
	20020611-LXXXXXXLF			



mat'l. code		surface ASME Y14.5 ✓	tolerance ASME Y14.5	projection ⊕	product family TERMINAL BLOCK	
ltr	ecn no	dr	date	title		
tolerances unless otherwise specified				MM [INCH]	TERMINAL BLOCK CODING KEY (AF SERIES)	
angles		X.±0.5				
X°±1'		X.X±0.3				
scale		X.XX±0.1		dwg no		sheet 4 of 5
dr		WENDY CHEN	071410	20020802		A4
enr		JASON HSU	071410	type		CUSTOMER Drawing
chr		GARY HSIEH	071410			
appd		JOSEPH HSIA	071410			
sheet index	revision sheet					



PRODUCT NUMBER  
20020802-005LF

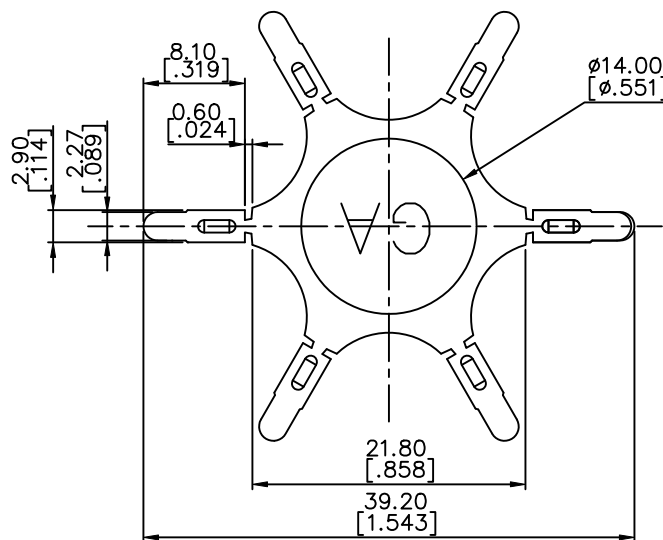
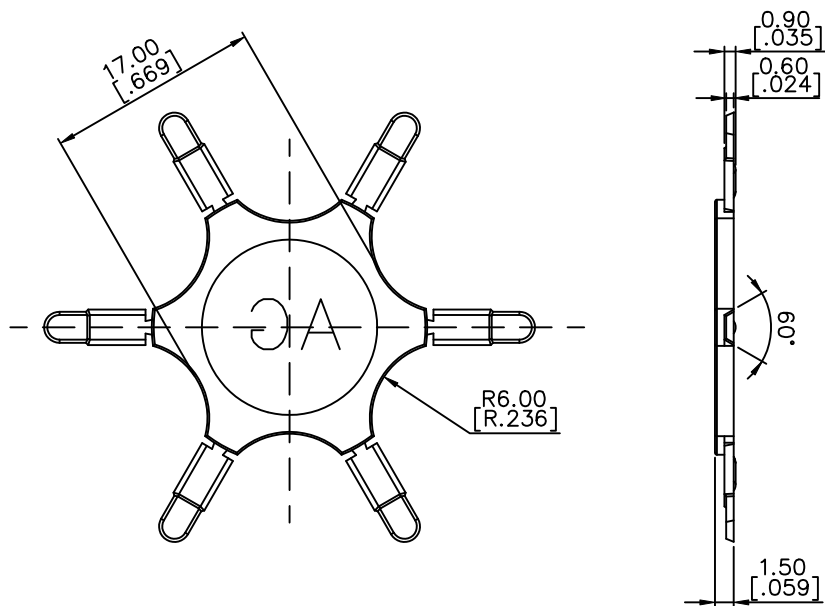


NOTES:

- 1. MATERIALS  
HOUSING: THERMALPLASTIC RESIN, UL 94V-0 RATED.
- 2. PRODUCT PACKING SPECIFICATION REFER TO FCI GS-14-1394.
- 3. THE PRODUCTS WHERE THE PART NUMBER END IN "LF" MEET THE EUROPEAN UNION DIRECTIVE AND OTHER COUNTRY REGULATIONS AS DESCRIBED IN GS-22-008.

20020802-005LF CAN BE USED FOR BELOW LIST:

FCI series name	P/N
06-350	20020106-CXXXXXXLF
	20020107-CXXXXXXLF
	20020108-CXXXXXXLF
	20020109-CXXXXXXLF
	20020110-CXXXXXXLF
	20020142-CXXXXXXLF
06-381	20020106-DXXXXXXLF
	20020107-DXXXXXXLF
	20020108-DXXXXXXLF
	20020109-DXXXXXXLF
	20020110-DXXXXXXLF
	20020111-DXXXXXXLF
30-350	20020129-CXXXXXXLF
	20020130-CXXXXXXLF
	20020131-CXXXXXXLF
30-381	20020129-DXXXXXXLF
	20020130-DXXXXXXLF
	20020131-DXXXXXXLF
37-381	20020132-DXXXXXXLF
	20020133-DXXXXXXLF
	20020134-DXXXXXXLF
	20020135-DXXXXXXLF
	20020136-DXXXXXXLF
	20020137-DXXXXXXLF
	20020138-DXXXXXXLF
20020139-DXXXXXXLF	
39-381	20020140-DXXXXXXLF



mat'l. code		surface ASME Y14.5 ✓	tolerance ASME Y14.5	projection 	product family TERMINAL BLOCK	
ltr	ecn no	dr	date	tolerances unless otherwise specified		title
D				angles X.±0.5	MM INCH	TERMINAL BLOCK CODING KEY (AG SERIES)
				X.X±0.3		
				X.XX±0.1		
		dr	WENDY CHEN 071410	scale		FCI type CUSTOMER Drawing
		enr	JASON HSU 071410			
		chr	GARY HSIEH 071410			
		appd	JOSEPH HSIA 071410			
sheet index	revision sheet					dwg no 20020802 sheet 5 of 5 size A4