



Chipsmall Limited consists of a professional team with an average of over 10 year of expertise in the distribution of electronic components. Based in Hongkong, we have already established firm and mutual-benefit business relationships with customers from,Europe,America and south Asia,supplying obsolete and hard-to-find components to meet their specific needs.

With the principle of “Quality Parts,Customers Priority,Honest Operation,and Considerate Service”,our business mainly focus on the distribution of electronic components. Line cards we deal with include Microchip,ALPS,ROHM,Xilinx,Pulse,ON,Everlight and Freescale. Main products comprise IC,Modules,Potentiometer,IC Socket,Relay,Connector.Our parts cover such applications as commercial,industrial, and automotives areas.

We are looking forward to setting up business relationship with you and hope to provide you with the best service and solution. Let us make a better world for our industry!



## Contact us

Tel: +86-755-8981 8866 Fax: +86-755-8427 6832

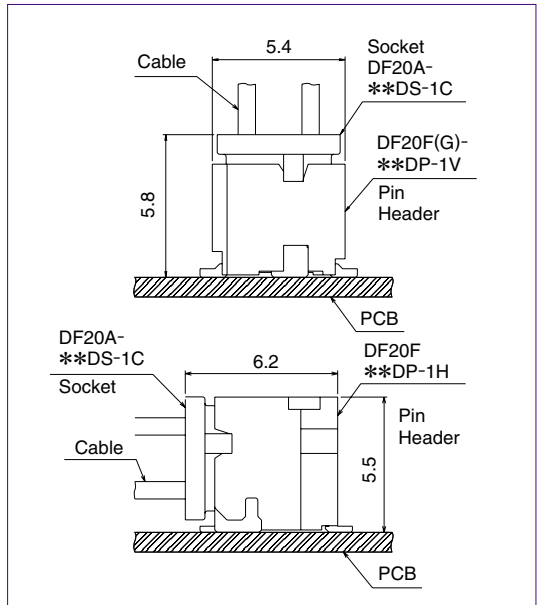
Email & Skype: info@chipsmall.com Web: www.chipsmall.com

Address: A1208, Overseas Decoration Building, #122 Zhenhua RD., Futian, Shenzhen, China



# 1 mm Pitch Double Rows Low Profile Board-to-Cable Connectors

## DF20 series



### ■ Features

#### 1. Contact Pitch

1 mm contact pitch allows reliable solder and cable termination.

#### 2. Low profile

Total mating height above the board is 5.8 mm for the straight type and 5.5 mm for the right angle type.

#### 3. Reliable electrical connection wipe

Effective electrical connection is assured with a 1mm wipe of mating contacts.

#### 4. Narrower external width and length

Redesigned metal fittings decreased the overall length of the board-mount receptacle and permit end-to-end mounting of several connectors.

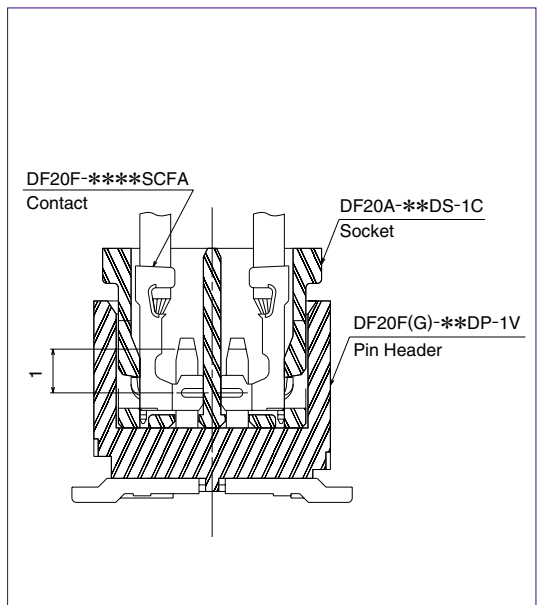
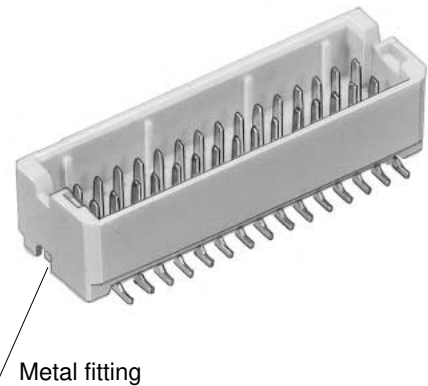
#### 5. Automatic equipment board placement

Straight type pin headers are supplied with a 5.4 mm X 4.6mm flat platform to allow vacuum pick-up and placement on the board.

#### 6. Product variations

- (1) Available with 10, 20, 30, 40, and 50 contacts.
- (2) Pin headers are available in two types: with or without board positioning bosses.
- (3) Depending on specific application pin headers can be ordered in straight or right angle types.

### Narrower external width and length



### ■ Applications

Notebook PC, small office automation equipment, small consumer devices, portable devices.

Any application requiring low profile reliable board-to-cable connection with a AWG #28, AWG#30, AWG#32 conductors.

#### 1mm Pitch, Double Rows



## Product Specifications

|        |               |   |                             |                          |                           |                        |
|--------|---------------|---|-----------------------------|--------------------------|---------------------------|------------------------|
| Rating | Rated current | AWG#28 : 1A<br>AWG#30 : 0.9A<br>AWG#32 : 0.7A | Operating temperature range | -35°C to 85°C (Note 1,2) | Storage temperature range | -10°C to 60°C (Note 2) |
|        | Rated voltage | 100V AC                                       | Operating humidity range    | 20% to 80%               | Storage humidity range    | 40% to 70%             |

| Item  | Specifications   | Conditions   |
|---|--|--|
| 1. Insulation resistance                    | 500MΩ min.   | Measured at 100V DC  |
| 2. Withstanding voltage                     | No flashover or insulation breakdown                                 | Conduction of 300V AC applied for 1 minute   |
| 3. Contact resistance                       | 30mΩ max.  | Measure at 100mA.  |
| 4. Insertion-Extraction force (per contact) | Min. 0.2 N (20 gf), Max. 2 N (200 gf)                                | Measured with a steel pin of 0.2 ±0.005 thickness  |
| 5. Vibration                                | No electrical discontinuity of 1μs min.                              | Frequency of 10 to 55 Hz, single amplitude of 0.75 mm, in 3 directions for 2hours                                |
| 6. Humidity                                 | Contact resistance of 30mΩ max., insulation resistance of 100MΩ min. | Temperature of 40±2°C, humidity of 90% to 95%, left standing for 96 hours  |
| 7. Temperature cycle                        | Contact resistance of 30mΩ max., insulation resistance of 500MΩ min. | (-55°C:30min → 5°C to 35°C: 2 to 3min → 85°C:30min → 5°C to 35°C:2 to 3min) for 5 cycles                         |
| 8. Mechanical operation                     | Contact resistance of 30mΩ max.                                      | 50 cycles  |
| 9. Resistance to Soldering heat             | No deformation of the insulator parts that will affect performance   | Reflow: At the recommended temperature profile, manual solder: Soldering iron temperature of 300°C for 3 seconds |

Note1: Includes temperature rise caused by current flow.

Note2: The term "storage" refers to products stored for long periods of time prior to mounting and use.

Operating temperature range and Humidity range covers non-conducting conditions of installed connectors in storage, shipment or transportation.

## Materials

| Item           | Part          | Material        | Finish   | Remarks |
|----------------|---------------|-----------------|--|---------|
| Socket         | Insulator     | Polyamide       | Color : Beige  | UL94V-0 |
| Socket contact | Contact       | Phosphor bronze | Gold plating   | —       |
| Pin header     | Insulator     | Polyamide       | Color : Beige  | UL94V-0 |
|                | Contact       | Phosphor bronze | Gold plating   | —       |
|                | Metal Fitting | Brass           | V type: Solder plating<br>H type: Tin-Copper plating (Pb free) |         |

## Ordering Information

### Connectors

**DF 20 # - \* DS - 1 C**

① ② ③ ④ ⑤ ⑥ ⑦

|   |  |
|---|--|
| ① Series name : DF  | ⑤ Connector type<br>DS: Double-row socket<br>DP: Double-row pin header                               |
| ② Series No. : 20   | ⑥ Contact pitch: 1 mm  |
| ③ Boss Type<br>■ Pin header<br>F: Without boss<br>G: With boss<br>■ Crimp socket: A | ⑦ Type of housing, header<br>C: Crimp housing<br>V: Straight SMT header<br>H: Right angle SMT header |
| ④ Number of contacts: 10, 20, 30, 40, 50  |  |

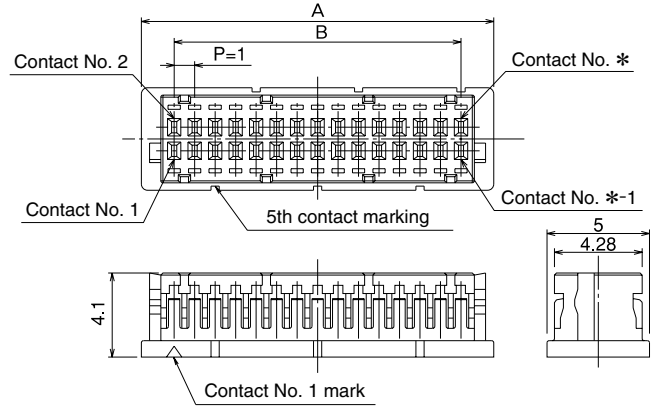
### Contacts

**DF20 F - 2830 SCF A (\* \*)**

① ② ③ ④ ⑤

|  |  |   |
|--|--|---|
| ① F  | ③ Contact & packaging type<br>SCF: Socket contact reel | ⑤ Packaging Specifications<br>Blank: 1 reel = 10,000 pieces<br>41: 1 reel = 20,000 pieces |
| ② Applicable wire size<br>2830: AWG #28 to 30<br>3032: AWG #30 to 32 | ④ Plating type<br>A: Gold plating                      |   |

## Double Row Socket



Unit: mm

| Product No.   | CL No.     | Number of Contacts | A    | B    |
|---------------|------------|--------------------|------|------|
| DF20A-10DS-1C | 686-0020-3 | 10                 | 7.2  | 4.0  |
| DF20A-20DS-1C | 686-0021-6 | 20                 | 12.2 | 9.0  |
| DF20A-30DS-1C | 686-0022-9 | 30                 | 17.2 | 14.0 |
| DF20A-40DS-1C | 686-0023-1 | 40                 | 22.2 | 19.0 |
| DF20A-50DS-1C | 686-0024-4 | 50                 | 27.2 | 24.0 |

[Specifications number]-\*, (\*\*)  
(59): Gold plating, embossed tape packaging

Note: Sales quantities are by the package unit (containing 100 pieces). Please order by package unit.

## Socket Crimp Contacts

| Product No.        | CL No.         | Type of contacts | Quantity                         | Plating type |
|--------------------|----------------|------------------|----------------------------------|--------------|
| DF20F-2830SCFA(**) | 686-0042-6-*** | Reel contacts    | See specifications number column | Gold plating |
| DF20F-3032SCFA(**) | 686-0043-9-*** |                  |                                  |              |

[Specifications number] -, (\*\*)  
Blank 1 reel : 10,000 pieces  
41 1 reel : 20,000 pieces

### ●Applicable Wire (Tin plated solid soft conductor)

| Applicable Wire Size (Stranded wire conductor) | Jacket diameter |
|--|-----------------|
| AWG #28 (7/0.127 mm)                           | 0.5mm to 0.6 mm |
| AWG #30 (7/0.1 mm)                             |                 |
| AWG #32 (7/0.08 mm)                            |                 |

- Recommended wire UL1571
- Strip length 1.2 to 1.9 mm

Note: When using other than the recommended wire, contact your nearest Hirose representative.

### ●Applicable Crimping Tools

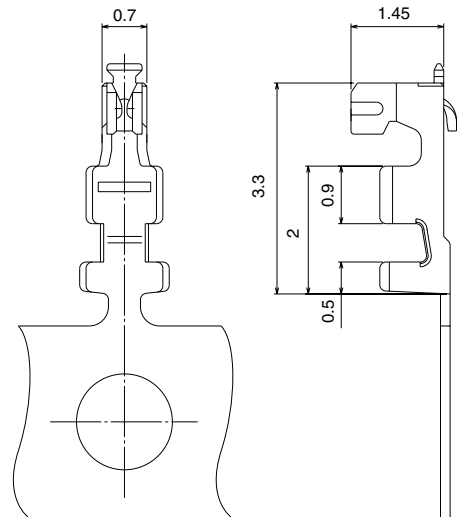
| Type                 | CL No.     | Product No.       |
|----------------------|------------|-------------------|
| Applicator           | 901-4572-6 | AP105-DF20-2830S  |
| Press                | 901-0005-4 | CM-105            |
| Manual crimping tool | 901-4540-6 | HT302/DF20B-2830S |

Note 1: Hirose Electric will not be responsible for any problems caused by use of tools other than specified.

Note 2: The manual crimping tool can be also used for cutting-off individual contacts from the reel.

Note 3: Customers that already have DF13 Series Hirose's press units and applicators will be able to use them for DF20 Series crimp terminations by replacing of only crimper and anvil.

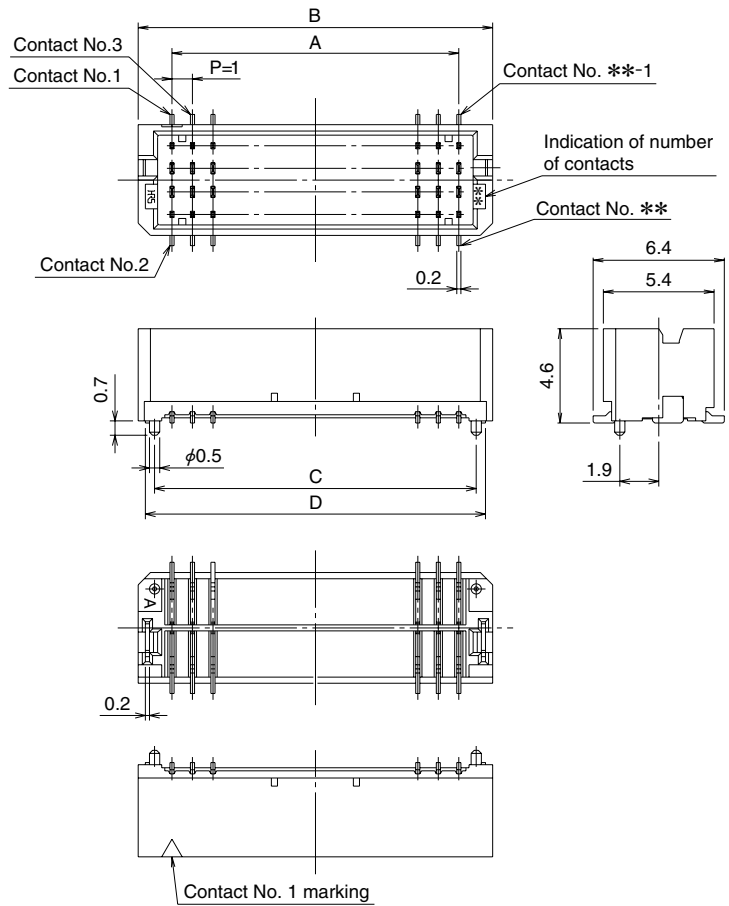
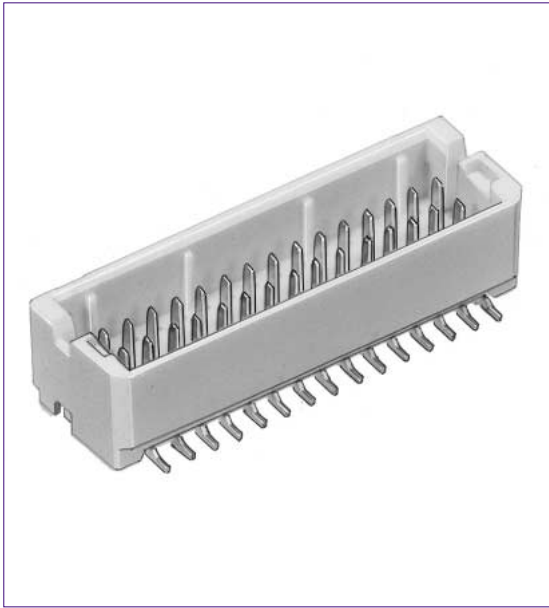
Note4: The crimping tool for the DF20F-3032SCFA can also be used with the DF20F-2830SCFA.



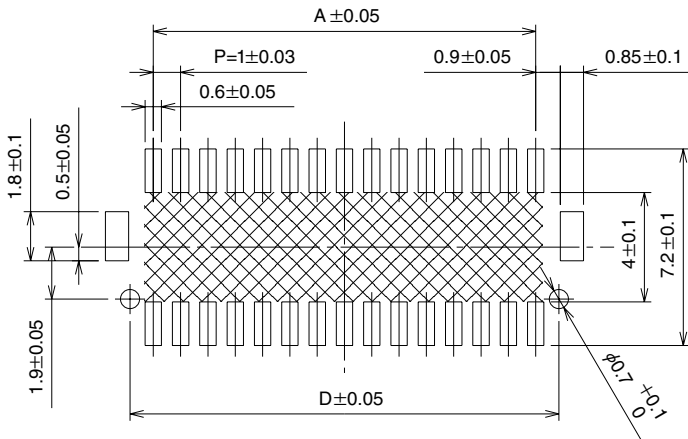
## Replacement Parts List for Applicator

| Type                            | Product No.          | CL No.        |
|---------------------------------|----------------------|---------------|
| Insulation crimper              | AP105-DF20-2830S(61) | 901-4572-6-61 |
| Wire crimper                    | AP105-DF20-2830S(62) | 901-4572-6-62 |
| Insulation anvil and wire anvil | AP105-DF20-2830S(63) | 901-4572-6-63 |

## Double Row Straight Pin header



## PCB Footprints



Note 1: Shaded area must be free of any electrically conductive traces to avoid contact with soldered pin header terminations.

Note 2: Required only for pin headers supplied with the positioning boss.

Unit: mm

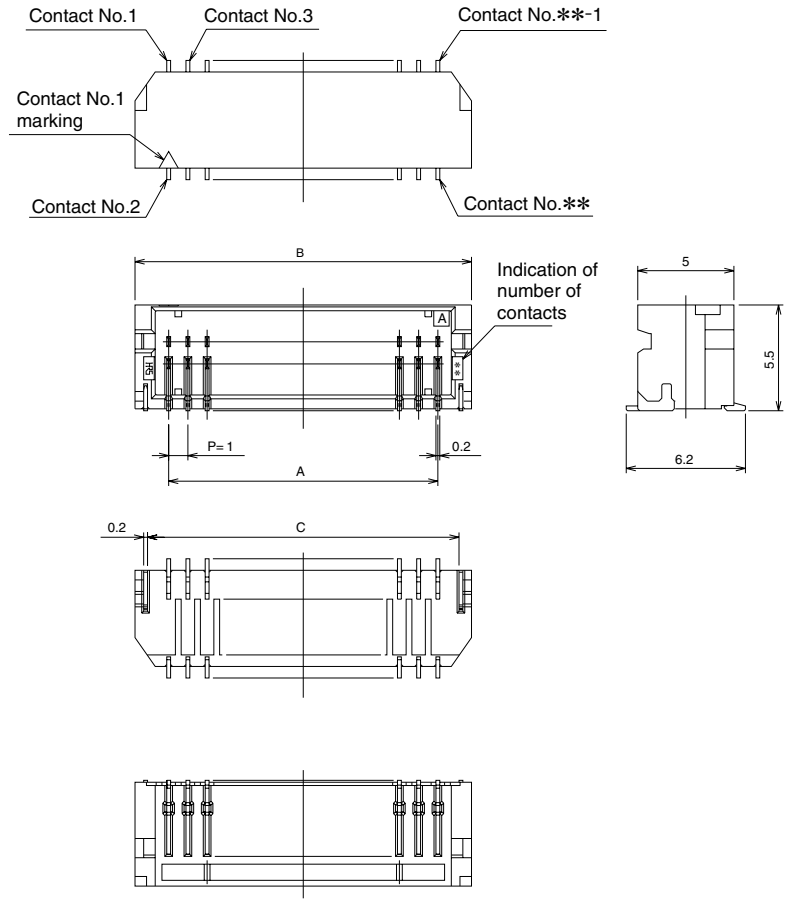
| Product No.        | CL No.           | Number of contacts | A    | B    | C    | D    | Remarks      |
|--------------------|------------------|--------------------|------|------|------|------|--------------|
| DF20F-10DP-1V (**) | CL686-0032-2- ** | 10                 | 4.0  | 7.3  | —    | 5.7  | Without boss |
| DF20F-20DP-1V (**) | CL686-0033-5- ** | 20                 | 9.0  | 12.3 | —    | 10.7 |              |
| DF20F-30DP-1V (**) | CL686-0034-8- ** | 30                 | 14.0 | 17.3 | —    | 15.7 |              |
| DF20F-40DP-1V (**) | CL686-0035-0- ** | 40                 | 19.0 | 22.3 | —    | 20.7 |              |
| DF20F-50DP-1V (**) | CL686-0036-3- ** | 50                 | 24.0 | 27.3 | —    | 25.7 |              |
| DF20G-10DP-1V (**) | CL686-0037-6- ** | 10                 | 4.0  | 7.3  | 6.6  | 5.7  | With boss    |
| DF20G-20DP-1V (**) | CL686-0038-9- ** | 20                 | 9.0  | 12.3 | 11.6 | 10.7 |              |
| DF20G-30DP-1V (**) | CL686-0039-1- ** | 30                 | 14.0 | 17.3 | 16.6 | 15.7 |              |
| DF20G-40DP-1V (**) | CL686-0040-0- ** | 40                 | 19.0 | 22.3 | 21.6 | 20.7 |              |
| DF20G-50DP-1V (**) | CL686-0041-3- ** | 50                 | 24.0 | 27.3 | 26.6 | 25.7 |              |

Note1: Order embossed tape packaging items by the reel. (1 reel contains 1,000 pieces)

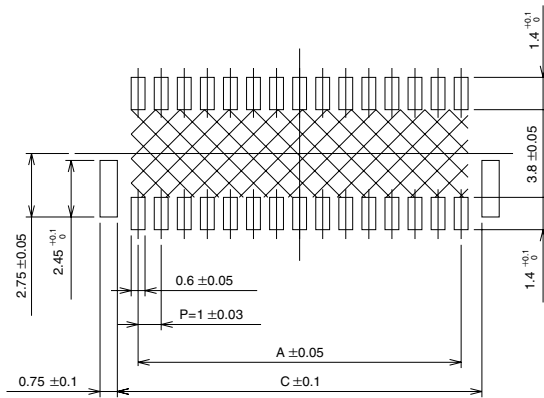
Note2: Vacuum pick-up platforms are included with embossed tape packaged connectors.

[Specifications number]-\*, (\*\*)  
(59): Gold plating, embossed tape packaging

## Double Row Right angle Pin header



## PCB Footprints



Note : Shaded area must be free of any electrically conductive traces to avoid contact with soldered pin header terminations.

Unit: mm

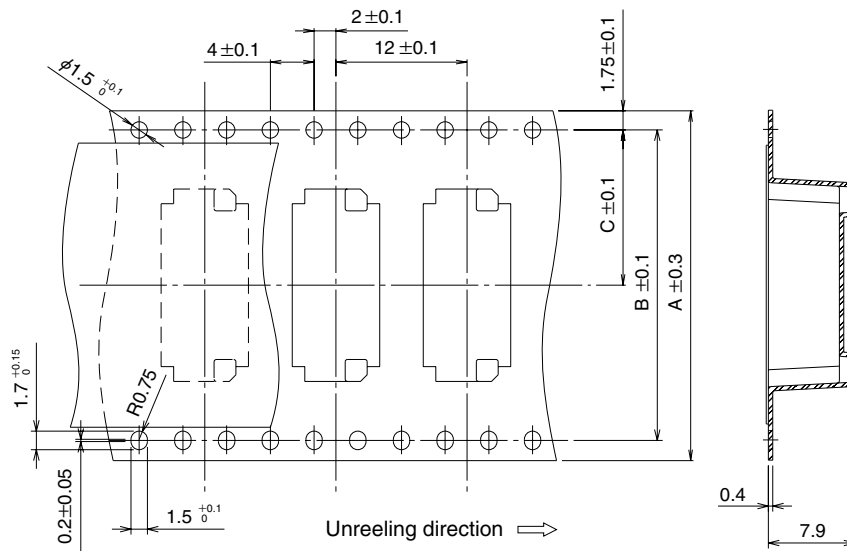
| Product No.           | HRS No.                        | Number of contacts | A    | B    | C    | Remarks      |
|-----------------------|--------------------------------|--------------------|------|------|------|--------------|
| DF20F -10DP-1H ( ** ) | 686-0027-2 ( ** )              | 10                 | 4.0  | 7.5  | 6.2  | Without boss |
| DF20F -20DP-1H ( ** ) | 686-0028-5 ( ** )              | 20                 | 9.0  | 12.5 | 11.2 |              |
| DF20F -30DP-1H ( ** ) | 686-0029-8 ( ** )              | 30                 | 14.0 | 17.5 | 16.2 |              |
| DF20F -40DP-1H ( ** ) | Reserved for product expansion | 40                 | 19.0 | 22.5 | 21.2 |              |
| DF20F -50DP-1H ( ** ) | Reserved for product expansion | 50                 | 24.0 | 27.5 | 26.2 |              |

[Specifications number]-\*, (\*\*)  
(59): Gold plating,  
embossed tape packaging

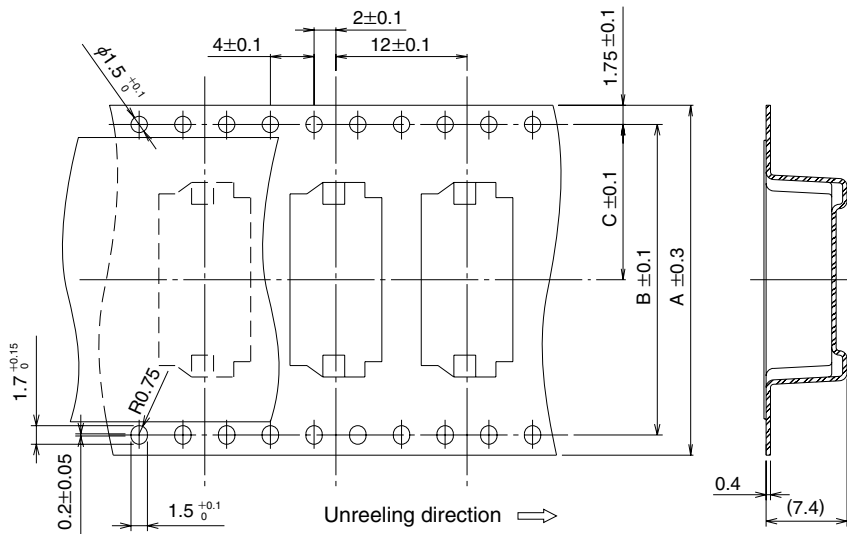
Note: Order embossed tape packaging items by the reel. (1 reel contains 1,000 pieces)

## ◆ Embossed Carrier Tape Dimensions

### ● Straight pin header



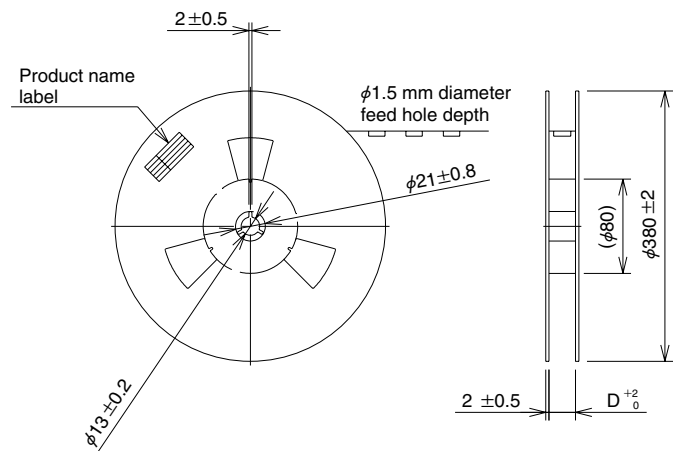
### ● Right angle pin header



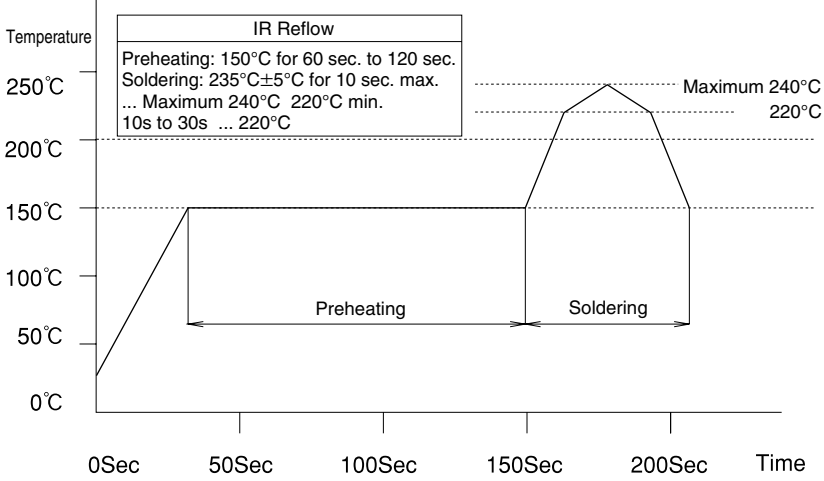
### ● Reel dimensions

| Product No.      | Number of Contacts | A  | B    | C    | D    |
|------------------|--------------------|----|------|------|------|
| DF20F(G)-10DP-1V | 10                 | 16 | —    | 7.5  | 16.4 |
| DF20F(G)-20DP-1V | 20                 | 24 | —    | 11.5 | 24.4 |
| DF20F(G)-30DP-1V | 30                 | 32 | 28.4 | 14.2 | 32.4 |
| DF20F(G)-40DP-1V | 40                 | 44 | 40.4 | 20.2 | 44.4 |
| DF20F(G)-50DP-1V | 50                 | 44 | 40.4 | 20.2 | 44.4 |
| DF20F-10DP-1H    | 10                 | 16 | —    | 7.5  | 16.4 |
| DF20F-20DP-1H    | 20                 | 24 | —    | 11.5 | 24.4 |
| DF20F-30DP-1H    | 30                 | 32 | 28.4 | 14.2 | 32.4 |
| * DF20F-40DP-1H  | 40                 | 44 | 40.4 | 20.2 | 44.4 |
| * DF20F-50DP-1H  | 50                 | 44 | 40.4 | 20.2 | 44.4 |

\* Reserved for product expansion



## ◆ Usage recommendation

|  |   |
|--|---|
| <p>1. Recommended Soldering<br/>Temperature Profile for IR Reflow.</p> |  <p>Note 1: Up to 2 cycles of reflow soldering are possible under the same conditions, provided that there is a return to normal temperature between the first and second cycle.</p> <p>Note 2: The temperature indicates the board surface temperature at the points of contacts with the connector terminals.</p> |
| <p>2. Recommended Manual Soldering Conditions</p>                      | <p><b>Soldering temperature: 290°C ±10°C, Soldering time: within 3 sec.</b></p>   |
| <p>3. Recommended Solder Screen Thickness</p>                          | <p>0.15mm</p>   |
| <p>4. Board Warping</p>  | <p>Maximum of 0.03 mm at the connector center section, with both ends of the connector as reference points.</p>   |
| <p>5. Cleaning Conditions</p>  | <p>Refer to "Nylon Connector Use Handbook."</p>   |
| <p>6. Wiring Termination Conditions</p>                                | <p>Refer to "Nylon Connector Use Handbook."<br/>Crimp contacts should be handled with care as not to cause any deformation or damage affecting the performance or termination.</p>  |
| <p>7. Mating / un-mating precautions</p>                               | <p>Excessive twisting and pulling on wires during mating/un-mating should be avoided as it may cause damage to connectors.</p>  |