



Chipsmall Limited consists of a professional team with an average of over 10 year of expertise in the distribution of electronic components. Based in Hongkong, we have already established firm and mutual-benefit business relationships with customers from,Europe,America and south Asia,supplying obsolete and hard-to-find components to meet their specific needs.

With the principle of “Quality Parts,Customers Priority,Honest Operation,and Considerate Service”,our business mainly focus on the distribution of electronic components. Line cards we deal with include Microchip,ALPS,ROHM,Xilinx,Pulse,ON,Everlight and Freescale. Main products comprise IC,Modules,Potentiometer,IC Socket,Relay,Connector.Our parts cover such applications as commercial,industrial, and automotives areas.

We are looking forward to setting up business relationship with you and hope to provide you with the best service and solution. Let us make a better world for our industry!



## Contact us

Tel: +86-755-8981 8866 Fax: +86-755-8427 6832

Email & Skype: info@chipsmall.com Web: www.chipsmall.com

Address: A1208, Overseas Decoration Building, #122 Zhenhua RD., Futian, Shenzhen, China



# Specification Sheet

## USB2.0 Flash Drive Handy Steno AH321



## Table of Contents

<u>1. Product Introduction</u> .....	3
<u>2. Product Features</u> .....	3
<u>3. Specification</u> .....	4
<u>4. Physical Dimension</u> .....	4
<u>5. Revision History</u> .....	5

## 1. Product Introduction

**Simple, stylish and compact, the AH321 is the USB flash drive tailored for anyone in needs of easy-to-use digital storage. Its pen cap design can easily solve the USB cap-lost problem.**

Inheriting the light, refined and stylish features of previous generation products, the AH321 adopts the glossy claret-red enclosure with white trimming strip that brings out the unique, elegant style. In addition to its chic look, the AH321 also features the innovative no loss cap design concept developed by Apacer for its flash drive series. Simply snap onto the flash drive when using it, and searching for lost caps will be a thing of the past.

In the digital age, digital data storage has become a new basic need for everyone. We all need a convenient USB flash drive to carry our digital files. The AH321 brings users not only a distinguished urban fashion style but also the easy portability. The minimalist design of AH321 works as a perfectly matched accessory whether you use it with distinctive strap or clip it to your keychain. The AH321 comes in a flexible range of memory configurations from 2GB to 32GB. With convenience and style, AH321 is simply the best USB flash drive for every computer user!

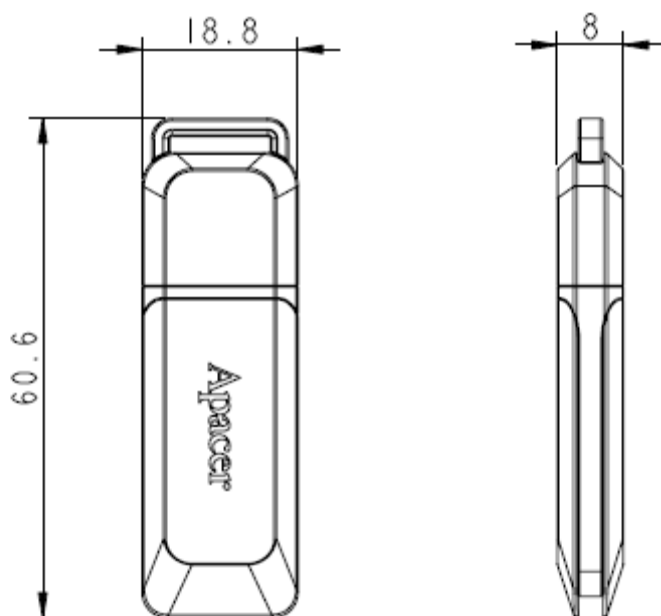
## 2. Product Features

- Simple and Stylish
- No loss cap design
- Strap hole makes it easy to carry
- Capacity support up to 32GB
- 
- RoHS Compliant

### 3. Specifications

Specifications	
Interface	High-speed USB 2.0 certified, backwards compatible with USB 1.1
Power supply	USB bus powered No external power required
Operating Systems Supported	Windows XP/7/8, Mac OS 10.4.x and Linux 2.6.x or above
Capacity	2GB~ 32GB
Operating Temperature	0° C to +70° C (32° F to 158° F)
Storage Temperature	-20° C to +70° C (-4° F to +158° F)
Dimensions	(L) 60.8 x (W) 18.8 x (H) 8 mm
Weight	8g

### 4. Physical Dimension



Tolerance:  $\pm 0.2$ mm

## 5. Revision History

Revision No	History	Date	Remarks
1.4	Revise temperature	July. 2 <sup>nd</sup> , 2015	