



Chipsmall Limited consists of a professional team with an average of over 10 year of expertise in the distribution of electronic components. Based in Hongkong, we have already established firm and mutual-benefit business relationships with customers from,Europe,America and south Asia,supplying obsolete and hard-to-find components to meet their specific needs.

With the principle of “Quality Parts,Customers Priority,Honest Operation,and Considerate Service”,our business mainly focus on the distribution of electronic components. Line cards we deal with include Microchip,ALPS,ROHM,Xilinx,Pulse,ON,Everlight and Freescale. Main products comprise IC,Modules,Potentiometer,IC Socket,Relay,Connector.Our parts cover such applications as commercial,industrial, and automotives areas.

We are looking forward to setting up business relationship with you and hope to provide you with the best service and solution. Let us make a better world for our industry!



Contact us

Tel: +86-755-8981 8866 Fax: +86-755-8427 6832

Email & Skype: info@chipsmall.com Web: www.chipsmall.com

Address: A1208, Overseas Decoration Building, #122 Zhenhua RD., Futian, Shenzhen, China



Specification Sheet

USB3.0 Flash Drive
Handy Steno AH352



Apacer
Access the best

Apacer Technology Inc.

4th Fl., 75 Xintai 5th Rd., Sec.1, Hsichih, Taipei Hsien 221, Taiwan

Tel: +886-2-2698-2888 Fax: +886-2-2698-2889

www.apacer.com

Table of Contents

<u>1. Product Introduction</u>	3
<u>2. Product Features</u>	3
<u>3. Specification</u>	4
<u>4. Physical Dimension</u>	4
<u>5. Revision History</u>	5

1. Product Introduction

Apacer seizes the opportunity and introduces its latest product, AH352 USB3.0 flash drive. Its diamond pattern is revealed by the elegant, translucent "glossy black" body, the design of which unfolds a fad among the USB flash drives that renders the best choice to experience USB 3.0 high-speed transmission.

AH352 is coated with dark, mystic and translucent "glossy black". The diamond pattern embellished on the inner side symbolizes its vogue within the translucent body, making it a sight to behold. With the strap hole at the end of the flash drive, users can freely attach straps or key chain to show their personal style. AH352 also shows thought-out details with its special pen cap design to prevent accidental loss of cap, which demonstrates Apacer's consideration for ergonomics.

AH352 features USB 3.0 transmission interface. It boasts 5Gbps transmission bandwidth, offering eight times or more the speed of conventional USB 2.0 flash drive. It is backward compatible with the USB 2.0 interface and available in 8GB, 16GB and 32GB, qualified for today's bulk data storage and transmission requirements.

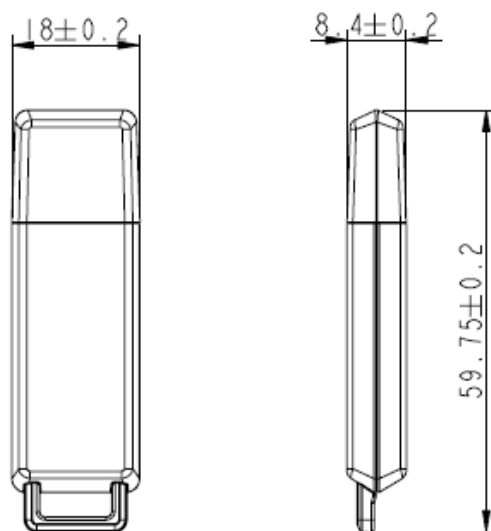
2. Features

- Best choice to experience USB 3.0 SuperSpeed transmission
- SuperSpeed USB3.0 and backwards compatible with Hi-speed USB 2.0 interface
- Easy plug & play
- USB powered. No external power or battery required
- Exquisite and slim ; diamond pattern design
- RoHS compliant

3. Specifications

Specifications	
Interface	Super Speed USB3.0, backwards compatible with USB 2.0 & 1.1
Device Interface Transfer Rate	USB 3.0 interface: up to 5Gbit/second USB 2.0 interface: up to 480Mbit/second
Power supply	USB bus powered No external power required
Power consumption	115mA (max.)
Operating Systems Supported	Windows XP/ Vista/ 7 & Kernel 2.6.33 or above without device drive (Support USB3.0) Mac OS 10.4 or later (Support USB2.0)
Capacity	8GB, 16GB & 32GB
Operating Temperature	0° C to +60° C (32° F to 140° F)
Storage Temperature	-20° C to +60° C (-4° F to +140° F)
Dimensions	(L)59.8 x (W)18 x (H)8.4mm
Weight	10g
Certificate	CE, FCC, BSMI, C-Tick

4. Physical Dimension



Unit: mm

5. Revision History

Revision No	History	Date	Remarks
1.0	Official Release	March, 2012	