



Chipsmall Limited consists of a professional team with an average of over 10 year of expertise in the distribution of electronic components. Based in Hongkong, we have already established firm and mutual-benefit business relationships with customers from,Europe,America and south Asia,supplying obsolete and hard-to-find components to meet their specific needs.

With the principle of “Quality Parts,Customers Priority,Honest Operation,and Considerate Service”,our business mainly focus on the distribution of electronic components. Line cards we deal with include Microchip,ALPS,ROHM,Xilinx,Pulse,ON,Everlight and Freescale. Main products comprise IC,Modules,Potentiometer,IC Socket,Relay,Connector.Our parts cover such applications as commercial,industrial, and automotives areas.

We are looking forward to setting up business relationship with you and hope to provide you with the best service and solution. Let us make a better world for our industry!



Contact us

Tel: +86-755-8981 8866 Fax: +86-755-8427 6832

Email & Skype: info@chipsmall.com Web: www.chipsmall.com

Address: A1208, Overseas Decoration Building, #122 Zhenhua RD., Futian, Shenzhen, China



Specification Sheet

USB3.0 Flash Drive
Handy Steno AH354



Apacer
Access the best

Apacer Technology Inc.

4th Fl., 75 Xintai 5th Rd., Sec.1, Hsichih, Taipei Hsien 221, Taiwan

Tel: +886-2-2698-2888 Fax: +886-2-2698-2889

www.apacer.com

Table of Contents

<u>1. Product Introduction</u>	3
<u>2. Product Features</u>	3
<u>3. Specification</u>	4
<u>4. Physical Dimension</u>	4
<u>5. Revision History</u>	5

1. Product Introduction

AH354 USB3.0 flash drive, which adopts the next-gen USB 3.0 specification with a reading speed of up to 80MB/s and a capacity up to 32GB. It has an exclusive U-ring design, combining the ring with the hidden sliding cover. Its shiny crystal blue color and rounded contour design is definitely a sight to behold!

AH354's "U-ring" design originates from three features of the product itself – **Ultra Fast Speed, Unique Design, and User-friendly Experience**. The unique U-ring integrates the ring with the sliding cover structure, rendering a sleek and clean look. Its pebble-like smooth, rounded contour along with the crystal blue U-ring highlights its elegance and velocity. The U-ring not only prevents the cap from missing but also allows personal accessories to be freely attached to show distinctive style.

AH354 adopts the latest USB 3.0 specification with a reading speed of up to 80MB/s, which is more than 8 times that of USB 2.0. Thanks to the SuperSpeed, it can transmit a 4.37GB video file within 56 seconds, saving a lot of valuable time for the users. AH354 is available in three capacities, 8GB, 16 GB and 32GB, backward compatible with the USB 2.0 interface, and provides a transmission speed of up to 34MB/s even on the USB 2.0 platform.

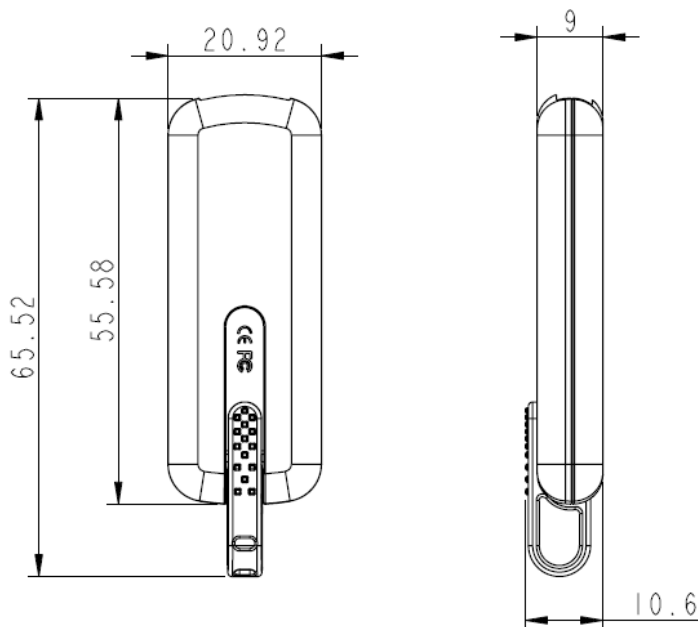
2. Features

- Best choice to experience USB 3.0 SuperSpeed transmission
- SuperSpeed USB3.0 and backwards compatible with Hi-speed USB 2.0 interface
- Easy plug & play
- USB powered. No external power or battery required
- Exquisite and slim ; exclusive U-ring design
- RoHS compliant

3. Specifications

Specifications	
Interface	Super Speed USB3.0, backwards compatible with USB 2.0 & 1.1
Device Interface Transfer Rate	USB 3.0 interface: up to 5Gbit/second USB 2.0 interface: up to 480Mbit/second
Power supply	USB bus powered No external power required
Power consumption	115mA (max.)
Operating Systems Supported	Windows XP/ Vista/ 7 & Kernel 2.6.33 or above without device drive (Support USB3.0) Mac OS 10.4 or later (Support USB2.0)
Capacity	8GB, 16GB & 32GB
Operating Temperature	0° C to +60° C (32° F to 140° F)
Storage Temperature	-20° C to +60° C (-4° F to +140° F)
Dimensions	(L)65.7 x (W)21 x (H)8.7mm
Weight	9g
Certificate	CE, FCC, BSMI, C-Tick

4. Physical Dimension



Unit: mm

5. Revision History

Revision No	History	Date	Remarks
1.0	Official Release	June, 2012	