



Chipsmall Limited consists of a professional team with an average of over 10 year of expertise in the distribution of electronic components. Based in Hongkong, we have already established firm and mutual-benefit business relationships with customers from,Europe,America and south Asia,supplying obsolete and hard-to-find components to meet their specific needs.

With the principle of "Quality Parts,Customers Priority,Honest Operation,and Considerate Service",our business mainly focus on the distribution of electronic components. Line cards we deal with include Microchip,ALPS,ROHM,Xilinx,Pulse,ON,Everlight and Freescale. Main products comprise IC,Modules,Potentiometer,IC Socket,Relay,Connector.Our parts cover such applications as commercial,industrial, and automotives areas.

We are looking forward to setting up business relationship with you and hope to provide you with the best service and solution. Let us make a better world for our industry!



Contact us

Tel: +86-755-8981 8866 Fax: +86-755-8427 6832

Email & Skype: info@chipsmall.com Web: www.chipsmall.com

Address: A1208, Overseas Decoration Building, #122 Zhenhua RD., Futian, Shenzhen, China





New Product Announcement

AP21410/
AP21510

0.2A Single Channel Current-Limited Power Switch

The AP21410 and AP21510 are integrated high-side power switches optimized for power delivery protection in digital communication ports such as HDMI, USB and other hot-swap applications.

The AP21410 and AP21510 are available with low and high (respectively) polarities of Enable input.

They offer current and thermal limiting and short circuit protection as well as controlled rise time and undervoltage lockout functionality.



The Diodes' Advantage

- **Reverse Current Blocking**
When $V_o > V_{in}$ or device is disabled, AP21410/AP21510 prevents reverse output current flow back through to input
- **Extensive Protection Functions**
Overcurrent, short-circuit and over-temperature protection as well as controlled rise times with undervoltage lockout.
- **Small Footprint U-DFN2018-6 Package with Minimal External Components**
Reduced BOM cost and solution size

Applications

Power rail protection in:

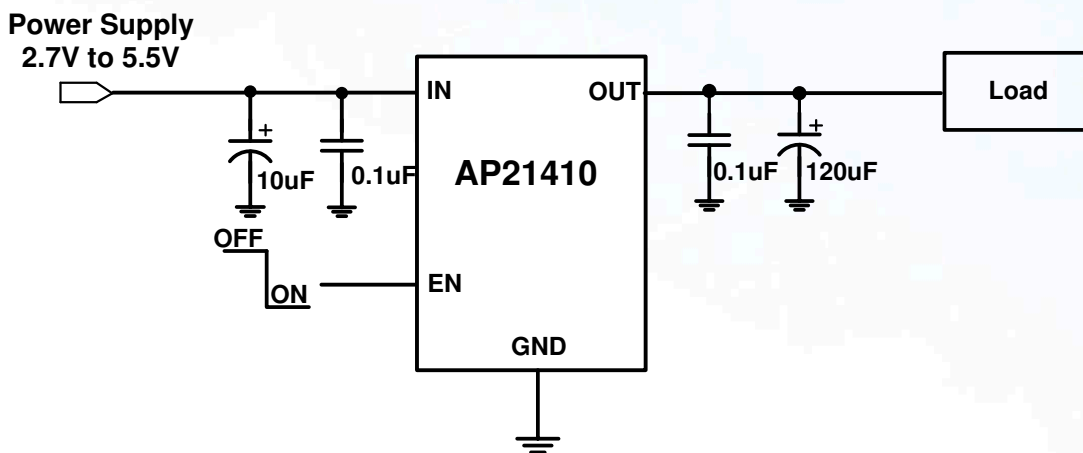
- Tablets
- LCD TVs & Monitors
- Computing
- Networking
- Ultrabooks
- Set-Top-Boxes
- Docking stations



New Product Announcement

AP21410/ AP21510

Typical Application



Product Portfolio

Part	Minimum Input Voltage	Maximum Input Voltage	Maximum Output Current	Enable	Package
AP21410FM-7	2.7	5.5	0.25	Active Low	U-DFN2018-6
AP21510FM-7	2.7	5.5	0.25	Active High	U-DFN2018-6

Ordering Information

Part	Package Code	Packaging	Package Marking	Reel Size	Tape Width	Quantity
AP21410FM-7	FM	U-DFN2018-6	GA YWX	7"	8 mm	3,000
AP21510FM-7	FM	U-DFN2018-6	GP YWX	7"	8 mm	3,000