



Chipsmall Limited consists of a professional team with an average of over 10 year of expertise in the distribution of electronic components. Based in Hongkong, we have already established firm and mutual-benefit business relationships with customers from,Europe,America and south Asia,supplying obsolete and hard-to-find components to meet their specific needs.

With the principle of “Quality Parts,Customers Priority,Honest Operation,and Considerate Service”,our business mainly focus on the distribution of electronic components. Line cards we deal with include Microchip,ALPS,ROHM,Xilinx,Pulse,ON,Everlight and Freescale. Main products comprise IC,Modules,Potentiometer,IC Socket,Relay,Connector.Our parts cover such applications as commercial,industrial, and automotives areas.

We are looking forward to setting up business relationship with you and hope to provide you with the best service and solution. Let us make a better world for our industry!



Contact us

Tel: +86-755-8981 8866 Fax: +86-755-8427 6832

Email & Skype: info@chipsmall.com Web: www.chipsmall.com

Address: A1208, Overseas Decoration Building, #122 Zhenhua RD., Futian, Shenzhen, China



Specification Sheet

USB2.0 Flash Drive Handy Steno AH326



Table of Contents

1. Product Introduction.....	3
2. Product Features.....	3
3. Specifications.....	4
4. Physical Dimension.....	4

1. Product Introduction

Handy Steno AH326 features the innovative “U-Ring” sliding cover with exquisite, sleek, and hand-touch design, bringing out the utilitarian and aesthetic value of a flash drive to its maximum.

The crystal red “U-Ring” sliding cover of AH326 combines the ring with the sliding cover structure and gives itself a simplistic yet elegant appearance. The unique “U-Ring” design of AH326 not only gives AH326 a delicate touch similar to a sliding cell phone, but also prevents the cap from missing. With the anti-slip texture, it also delivers a user experience with nice usability. The combination of all these features makes AH326 a true model of utilitarian aesthetics. Additionally, the crystal red “U-Ring” is eye-catching in comparison with its black and white base colors and can be further customized with your favorite decorations to become a stylish personal accessory.

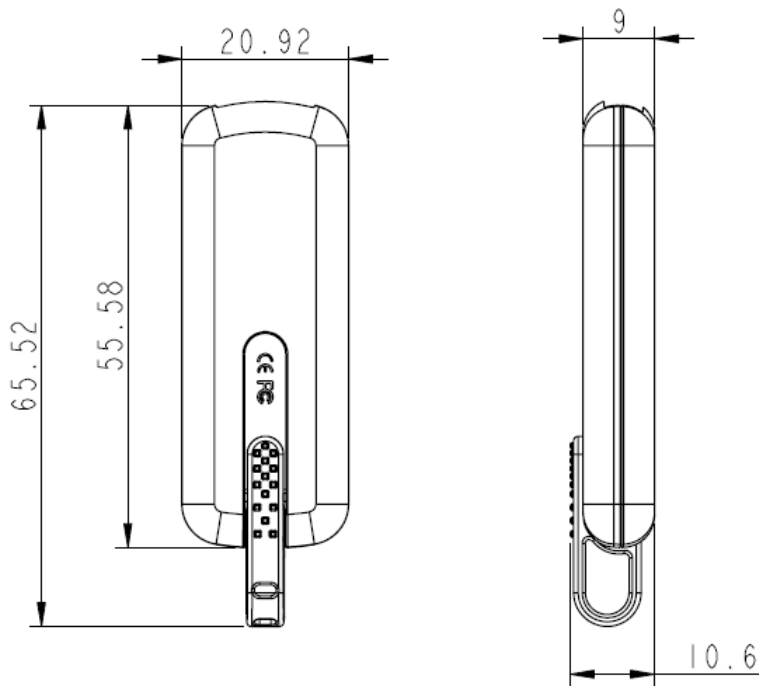
2. Product Features

- USB 2.0 Hi-Speed interface
- Easy plug & play
- Innovative U-ring sliding cover
- Sleek and pebble-like hand-touch design
- Strap hole allows AH326 to be further customized with personal decorations
- Available colors: black & white

3. Specifications

Interface	High-Speed USB 2.0 certified, backward compatible with USB 1.1
Power supply	USB Bus-Powered No external power required
Operating Systems Supported	Windows XP / 2000 / Vista/7, Mac OS 10.4 and Linux 2.6.4 or above
Capacity	2GB~64GB
Operating Temperature	0° C to +60° C (32° F to 140° F)
Storage Temperature	-20° C to +60° C (-4° F to +140° F)
Dimension	(L) 65.6 x (W) 21 x (H)10.6 mm
Weight	8g approx.

4. Physical Dimension



Unit: mm