



Chipsmall Limited consists of a professional team with an average of over 10 year of expertise in the distribution of electronic components. Based in Hongkong, we have already established firm and mutual-benefit business relationships with customers from,Europe,America and south Asia,supplying obsolete and hard-to-find components to meet their specific needs.

With the principle of “Quality Parts,Customers Priority,Honest Operation,and Considerate Service”,our business mainly focus on the distribution of electronic components. Line cards we deal with include Microchip,ALPS,ROHM,Xilinx,Pulse,ON,Everlight and Freescale. Main products comprise IC,Modules,Potentiometer,IC Socket,Relay,Connector.Our parts cover such applications as commercial,industrial, and automotives areas.

We are looking forward to setting up business relationship with you and hope to provide you with the best service and solution. Let us make a better world for our industry!



Contact us

Tel: +86-755-8981 8866 Fax: +86-755-8427 6832

Email & Skype: info@chipsmall.com Web: www.chipsmall.com

Address: A1208, Overseas Decoration Building, #122 Zhenhua RD., Futian, Shenzhen, China



Specification Sheet

USB3.0 Flash Drive
Handy Steno AH450



Table of Contents

<u>1. Product Introduction</u>	3
<u>2. Product Features</u>	3
<u>3. Specification</u>	4
<u>4. Physical Dimension</u>	4
<u>5. Revision History</u>	5

1. Product Introduction

AH450 USB3.0 flash drive, which adopts the next-gen USB 3.0 specification with a reading speed of up to 140MB/s and a high capacity up to 128GB. AH450 outperforms its numerous competitors by lightning transmission speed up to 140MB/s. Its body shines with silvery luster in a gradient pattern, displaying unrivalled speed and elegance.

AH450 silvery luster is achieved by special silver plating design. Gradient shining pattern unfolds different luster from different perspectives, which showcases spectacular visual effect that symbolizes speed and unique taste. AH450 adopts sliding push key design that facilitates one-hand operation and avoids the accidental loss of USB cap. The strap hole allows the user to carry or attach this nifty USB drive easily, adding to the portability and convenience of AH450.

AH450 is available in capacities from 16G to 128GB. With the ever-growing file size of digital cameras or multi-media audio and video, AH450 is capable of storing big data easily, completing transmission with super high speed, and creating a more casual and comfortable digital life!

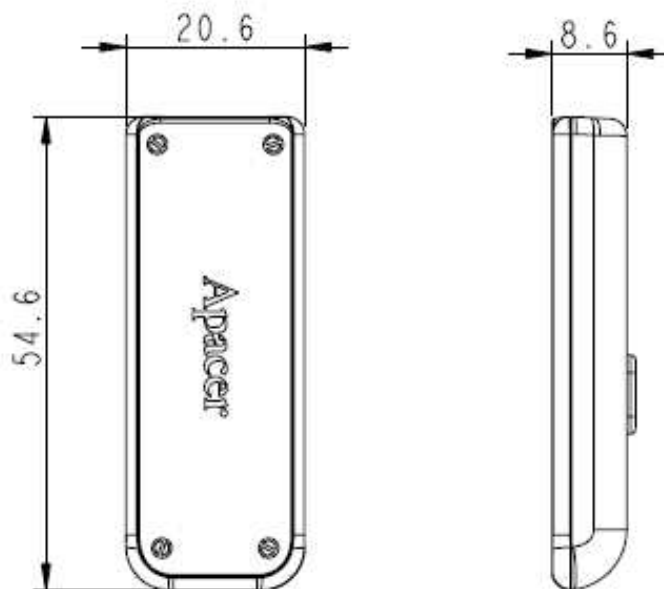
2. Features

- Super Speed USB3.0 and backwards compatible with Hi-speed USB 2.0 interface
- Easy plug & play
- USB powered. No external power or battery required
- Sliding push key enables one-hand operation
- Silvery luster in a gradient pattern
- The strap hole allows easy carry
- RoHS compliant

3. Specifications

Specifications	
Interface	Super Speed USB3.0, backwards compatible with USB 2.0 & 1.1
Device Interface Transfer Rate	USB 3.0 interface: up to 5Gbit/second USB 2.0 interface: up to 480Mbit/second
Power supply	USB bus powered No external power required
Power consumption	115mA (max.)
Operating Systems Supported	Windows XP/ Vista/ 7/ 8, Linux Kernel 2.6.33 and Mac OS 10.4 or later
Capacity	16GB ~ 128GB
Operating Temperature	0° C to +60° C (32° F to 140° F)
Storage Temperature	-20° C to +60° C (-4° F to +140° F)
Dimensions	(L)54.6 x (W)20.6 x (H)8.6mm
Weight	8g
Certificate	CE, FCC, BSMI, C-Tick

4. Physical Dimension



Tolerance: ±0.2mm

5. Revision History

Revision No	History	Date	Remarks
1.0	Official Release	March, 2013	