



Chipsmall Limited consists of a professional team with an average of over 10 year of expertise in the distribution of electronic components. Based in Hongkong, we have already established firm and mutual-benefit business relationships with customers from,Europe,America and south Asia,supplying obsolete and hard-to-find components to meet their specific needs.

With the principle of “Quality Parts,Customers Priority,Honest Operation,and Considerate Service”,our business mainly focus on the distribution of electronic components. Line cards we deal with include Microchip,ALPS,ROHM,Xilinx,Pulse,ON,Everlight and Freescale. Main products comprise IC,Modules,Potentiometer,IC Socket,Relay,Connector.Our parts cover such applications as commercial,industrial, and automotives areas.

We are looking forward to setting up business relationship with you and hope to provide you with the best service and solution. Let us make a better world for our industry!



Contact us

Tel: +86-755-8981 8866 Fax: +86-755-8427 6832

Email & Skype: info@chipsmall.com Web: www.chipsmall.com

Address: A1208, Overseas Decoration Building, #122 Zhenhua RD., Futian, Shenzhen, China



Specification Sheet

USB2.0 Flash Drive
AH135



Table of Contents

1. Product Introduction.....	3
2. Product Features.....	3
3. Specifications.....	4
4. Physical Dimension.....	4
5. Revision History.....	5

1. Product Introduction

AH135 captures the image of a tree embracing the breeze. The metallic branches display the strength of a solid tree trunk and the beauty of its fine lines. The shape of hollowed-out leaf conveys richness of leaves and reminds people of sunshine gleaming through the treetops and casting a shadow onto the ground.

AH135 is made of zinc alloy, presenting boutique-like quality and touch. More than an aesthetic design, the hollowed-out look of AH135 can not only be used as grommets for users to attach a bracelet or strap but fit ergonomic concept with increased surface friction for easier plugging/unplugging.

Available in capacities from 4GB to 32GB, AH135 can meet various user needs. It is also compatible with Windows 7 operating system and comes uniquely with ACE compression software which can increase the capacity by up to 500%, making the tiny flash drive display a storage device beyond imagination!

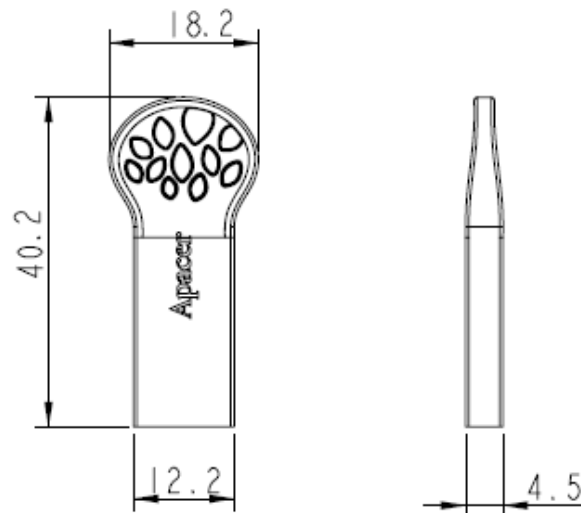
2. Product Features

- High-speed USB 2.0 certified, backwards compatible with USB 1.1
- USB powered. No external power required.
- Compact and slim
- Tree-shape design
- Metallic quality & touch; robust and sturdy
- advanced COB technology with water-proof, dust-proof and shock-proof functions
- RoHS compliant

3. Specifications

Specifications	
Interface	High-speed USB 2.0 certified, backwards compatible with USB 1.1
Power supply	USB bus powered; No external power required
Operating Systems Supported	Windows 7/XP/2000/Vista, Mac OS 8.6 and Linux 2.4.0 or above
Capacity	4GB-32GB
Operating Temperature	0° C to +60° C (32° F to 140° F)
Storage Temperature	-20° C to +60° C (-4° F to +140° F)
Dimensions	(L)40.2 x (W)18.2 x (H)4.5mm
Weight	6.5g
Certificate	CE, FCC, BSMI

4. Physical Dimension



Unit: mm

5. Revision History

Revision	History	Date	Remark
1.0	Official release	Aug. 28,2012	