



Chipsmall Limited consists of a professional team with an average of over 10 year of expertise in the distribution of electronic components. Based in Hongkong, we have already established firm and mutual-benefit business relationships with customers from,Europe,America and south Asia,supplying obsolete and hard-to-find components to meet their specific needs.

With the principle of "Quality Parts,Customers Priority,Honest Operation,and Considerate Service",our business mainly focus on the distribution of electronic components. Line cards we deal with include Microchip,ALPS,ROHM,Xilinx,Pulse,ON,Everlight and Freescale. Main products comprise IC,Modules,Potentiometer,IC Socket,Relay,Connector.Our parts cover such applications as commercial,industrial, and automotives areas.

We are looking forward to setting up business relationship with you and hope to provide you with the best service and solution. Let us make a better world for our industry!



## Contact us

Tel: +86-755-8981 8866 Fax: +86-755-8427 6832

Email & Skype: info@chipsmall.com Web: www.chipsmall.com

Address: A1208, Overseas Decoration Building, #122 Zhenhua RD., Futian, Shenzhen, China



DO NOT SCALE FROM THIS PRINT

NOTES:

- MINIMUM PUSHOUT FORCES:  
APA ASSEMBLY: 5 LBS.  
APO ASSEMBLY: 5 LBS.
- MAXIMUM ALLOWABLE BOW:  
.003 INCH PER INCH.
- Ⓢ REPRESENTS A CRITICAL DIMENSION
- MAXIMUM HEIGHT VARIATION BETWEEN PINS:  
.010 [0.25] (SEE SHEET 2).
- PLUG FIT FOR PT-ASP-149117-XX WILL BE TIGHT AND WILL REQUIRE INSERTION AND THEN A ROTATION TO ACHIEVE ORIENTATION. THIS IS NECESSARY FOR ZERO CONTACT WITH THE PINS.

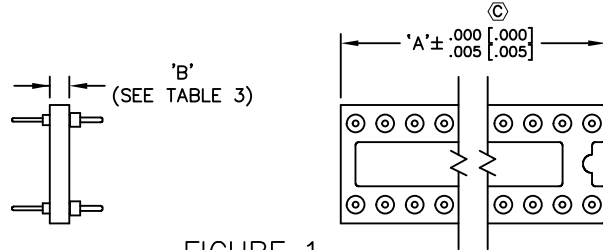


FIGURE 1  
(\* : CUT TO LENGTH IN FIG 1)  
(\*\*\* = EXISTING CUSTOMERS ONLY)

TABLE 1

SERIES	POSITION	APA	APO
-3	06	N/R	N/R
	08	SBOA-308	SBO-308
	10	N/R	N/R
	12	N/R	N/A
	14	SBOA-314	SBO-314
	16	SBOA-316	SBO-316
	18	SBOA-318	SBO-318
	20	SBOA-320	SBO-320
	22	SBOA-324*	SBO-324*
	24	SBOA-324	SBO-324
-4	***28	ICA-328-V	N/R
	22	SBOA-422	SBO-422
-6	24	N/R	N/A
	10	N/R	N/R
	14	N/R	N/R
	16	N/R	N/R
	18	N/R	N/R
	20	N/R	N/R
	22	N/R	N/R
	24	SBOA-624	SBO-624
	28	SBOA-628	SBO-628
	32	SBOA-632	SBO-632
-9	40	SBOA-640	SBO-640
	48	SBOA-648	N/R
	14	N/R	N/R
	24	N/R	N/R
	28	N/R	N/R
	32	N/R	N/R
	40	N/R	N/R
	48	N/R	N/R
	50	N/R	N/R
	64	N/R	N/R

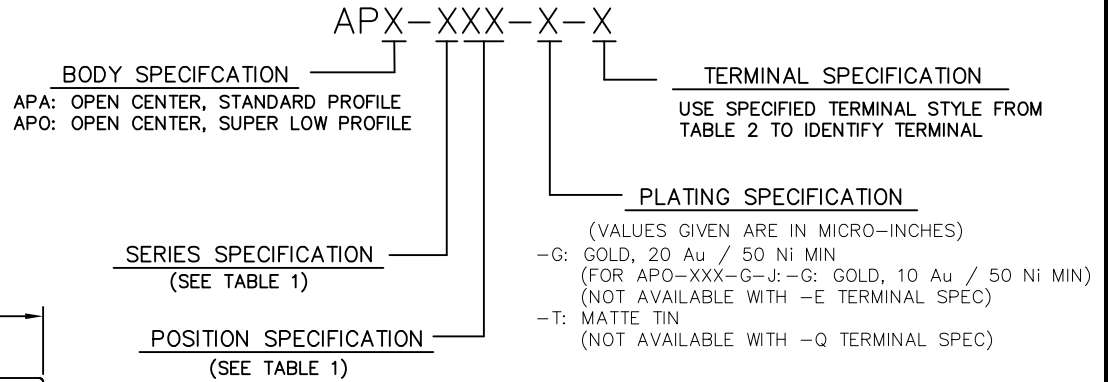
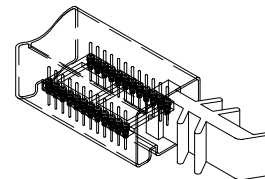


TABLE 5

REF. PART No.	'A'
APA-322-XXX	1.100 [27.94]
APO-312-XXX	.600 [15.24]
APO-322-XXX	1.100 [27.94]

TABLE 3

SERIES	'B'
APA	.100 [2.54]
APO	.050 [1.27]



PACKAGING VIEW

PACKAGING TABLE			
SERIES	TERMINAL	TUBE	PLUG
APX-3XX	M	PT-1-24-01-70	TP-07 (2)
APX-3XX	J	PT-3-24-01-01	TP-03 (2)
APX-3XX	N	PT-1-24-01-52	TP-13 (2)
APX-3XX	Q	PT-1-24-01-56	TP-31 (2)
APX-4XX	N	PT-1-24-01-110	TP-13
APX-6XX	Q	PT-1-24-02-56	TP-04 (2)
APX-6XX	P	PT-1-24-03-56	TP-28 (2)
APX-6XX	M	PT-1-24-02-74	TP-28 (2)
APX-6XX	N	PT-ASP-149117-XX	TP-25 (2)


UNLESS OTHERWISE SPECIFIED, DIMENSIONS ARE IN MM. TOLERANCES ARE:

DECIMALS      ANGLES  
X.XX±0.25      ±3  
X.XXX±0.13  
X.XXXX±0.05

**\*PROPRIETARY NOTE\***  
THIS DOCUMENT CONTAINS CONFIDENTIAL AND PROPRIETARY INFORMATION AND ALL DESIGN, MANUFACTURING, REPRODUCTION, USE, PATENT RIGHTS AND SALES RIGHTS ARE EXPRESSLY RESERVED BY SAMTEC, INC. THIS DOCUMENT SHALL NOT BE DISCLOSED, IN WHOLE OR PART, TO ANY UNAUTHORIZED PERSON OR ENTITY NOR REPRODUCED, TRANSMITTED OR INCORPORATED IN ANY OTHER PROJECT IN ANY MANNER WITHOUT THE EXPRESS WRITTEN CONSENT OF SAMTEC, INC.

DO NOT SCALE DRAWING  
INSULATOR: PBT 30% Glass Filled (UL 94V-0) Black  
CONTACT : Phosphor Bronze

SHEET SCALE: 1:2



520 PARK EAST BLVD. NEW ALBANY, IN 47150  
(812) 944-6733 P.O. BOX 1147 TWX: 810-540-4085

DESCRIPTION: AP ASSEMBLY

DWG. NO. APX-XXX-X-X

BY: YINGLING 4-20-85      SHEET 1 OF 2

CODE: 55322