



Chipsmall Limited consists of a professional team with an average of over 10 year of expertise in the distribution of electronic components. Based in Hongkong, we have already established firm and mutual-benefit business relationships with customers from,Europe,America and south Asia,supplying obsolete and hard-to-find components to meet their specific needs.

With the principle of “Quality Parts,Customers Priority,Honest Operation,and Considerate Service”,our business mainly focus on the distribution of electronic components. Line cards we deal with include Microchip,ALPS,ROHM,Xilinx,Pulse,ON,Everlight and Freescale. Main products comprise IC,Modules,Potentiometer,IC Socket,Relay,Connector.Our parts cover such applications as commercial,industrial, and automotives areas.

We are looking forward to setting up business relationship with you and hope to provide you with the best service and solution. Let us make a better world for our industry!



Contact us

Tel: +86-755-8981 8866 Fax: +86-755-8427 6832

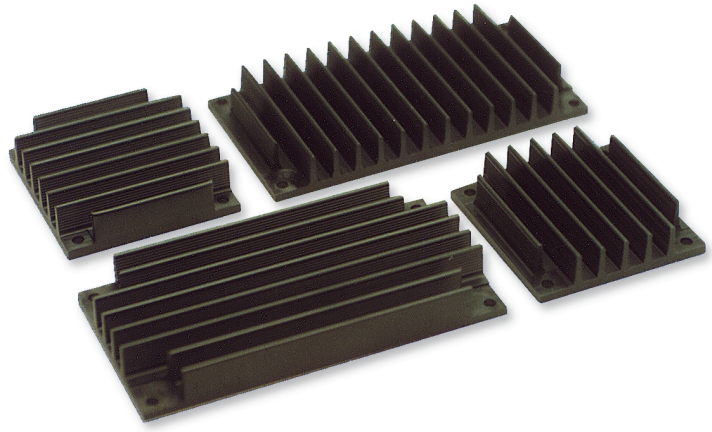
Email & Skype: info@chipsmall.com Web: www.chipsmall.com

Address: A1208, Overseas Decoration Building, #122 Zhenhua RD., Futian, Shenzhen, China



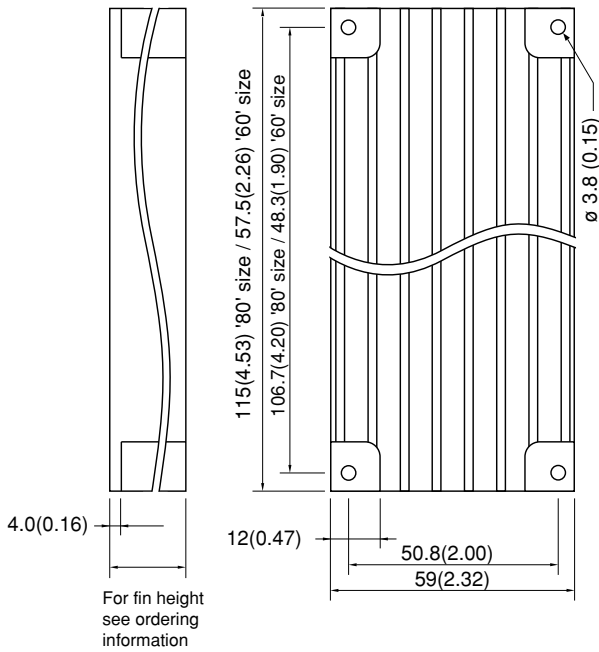
Heatsinks and Accessories

*Heatsinks and Accessories
For AMPSS® 80 and 60 size
modules
Horizontal or Vertical orientation*

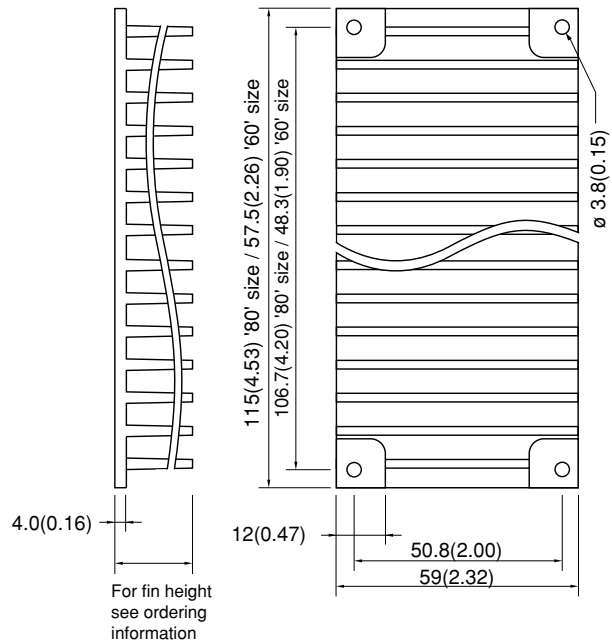


DIMENSIONS

Vertical Fins



Horizontal Fins



ASIA
 6F., China Dyeing Works Building
 382-392 Castle Peak Road
 Tsuen Wan, N.T., Hong Kong
 Telephone: 852-2437-9662
 Facsimile: 852-2402-4426

EUROPE
 Astec House, Waterfront Business Park
 Merry Hill, Dudley
 West Midlands, DY5 1LX, UK
 Telephone: 01384-842211
 Facsimile: 01384-843355

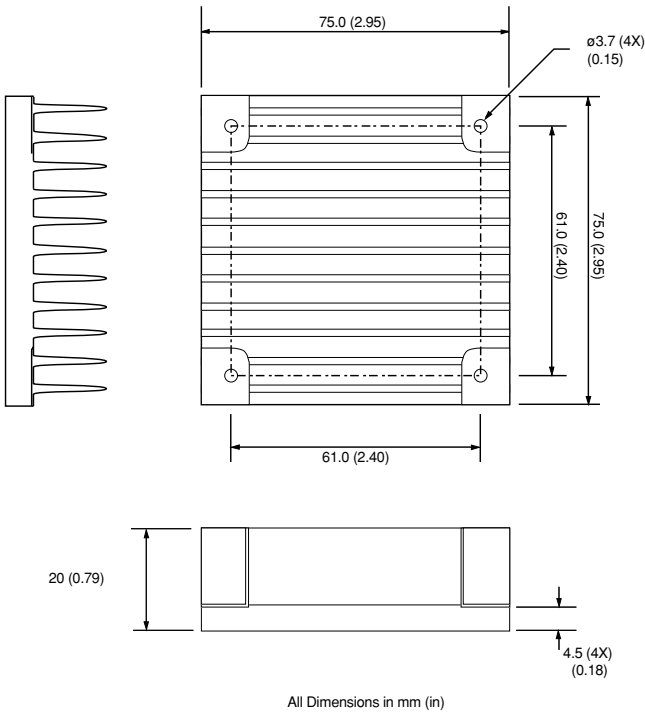
AMERICAS
 5810 Van Allen Way
 Carlsbad, CA 92008
 Telephone: 760-930-4600
 Facsimile: 760-930-0698



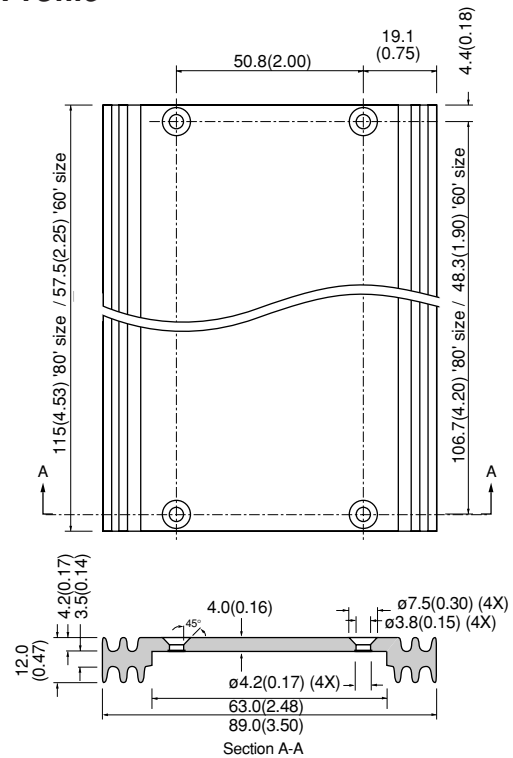
ORDERING INFORMATION

Description thermal	Model Number	Dimensions (inches)	(mm)	Free air resistance
Heatsink, 80 size vert	APA501-80-001	4.53x2.32x0.6	115x59x15	2.7°C/W
Heatsink, 80 size horz	APA501-80-002			2.4°C/W
Heatsink, 80 size vert	APA501-80-003	4.53x2.32x0.9	115x59x22.5	2.2°C/W
Heatsink, 80 size horz	APA501-80-004			2.0°C/W
Heatsink, 80 size vert	APA501-80-005	4.53x2.32x1.5	115x59x37	2.0°C/W
Heatsink, 80 size horz	APA501-80-006			1.7°C/W
Heatsink, 80 low prof	APA501-80-007	4.55x3.50x0.5	115.6x89x12	2.2°C/W
<hr/>				
Heatsink, 60 size vert	APA501-60-001	2.26x2.32x0.6	57.5x59x15	3.8°C/W
Heatsink, 60 size horz	APA501-60-002			3.9°C/W
Heatsink, 60 size vert	APA501-60-003	2.26x2.32x0.9	57.5x59x22.5	3.3°C/W
Heatsink, 60 size horz	APA501-60-004			3.7°C/W
Heatsink, 60 size vert	APA501-60-005	2.26x2.32x1.5	57.5x59x37	2.8°C/W
Heatsink, 60 size horz	APA501-60-006			2.8°C/W
Heatsink, 60 low prof	APA501-60-007	2.25x3.5x0.5	57.2x89x12	3.6°C/W
<hr/>				
Heatsink, AAxxC	APA501-00-001	2.95x2.95x0.79	75.0x75.0x20	3.5°C/W

AAxxC Series



Low Profile



Heatsinks & Accessories