



Chipsmall Limited consists of a professional team with an average of over 10 year of expertise in the distribution of electronic components. Based in Hongkong, we have already established firm and mutual-benefit business relationships with customers from,Europe,America and south Asia,supplying obsolete and hard-to-find components to meet their specific needs.

With the principle of "Quality Parts,Customers Priority,Honest Operation,and Considerate Service",our business mainly focus on the distribution of electronic components. Line cards we deal with include Microchip,ALPS,ROHM,Xilinx,Pulse,ON,Everlight and Freescale. Main products comprise IC,Modules,Potentiometer,IC Socket,Relay,Connector.Our parts cover such applications as commercial,industrial, and automotives areas.

We are looking forward to setting up business relationship with you and hope to provide you with the best service and solution. Let us make a better world for our industry!



## Contact us

Tel: +86-755-8981 8866 Fax: +86-755-8427 6832

Email & Skype: info@chipsmall.com Web: www.chipsmall.com

Address: A1208, Overseas Decoration Building, #122 Zhenhua RD., Futian, Shenzhen, China



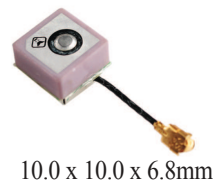
# GPS Active Internal Patch

**APAM1068JL01V2.0**



ESD Sensitive

RoHS/RoHS II compliant



10.0 x 10.0 x 6.8mm

MSL level: Not Applicable

## FEATURES:

- Compact Size
- Easy to Install
- RoHS Compliant

## TYPICAL APPLICATIONS:

- Automotive Navigation, Marine buoys,
- Personal Tracking
- Surveying equipment, Cell phone, Laptop,
- Healthcare and medical monitoring devices, PND, PDA

## STANDARD SPECIFICATIONS:

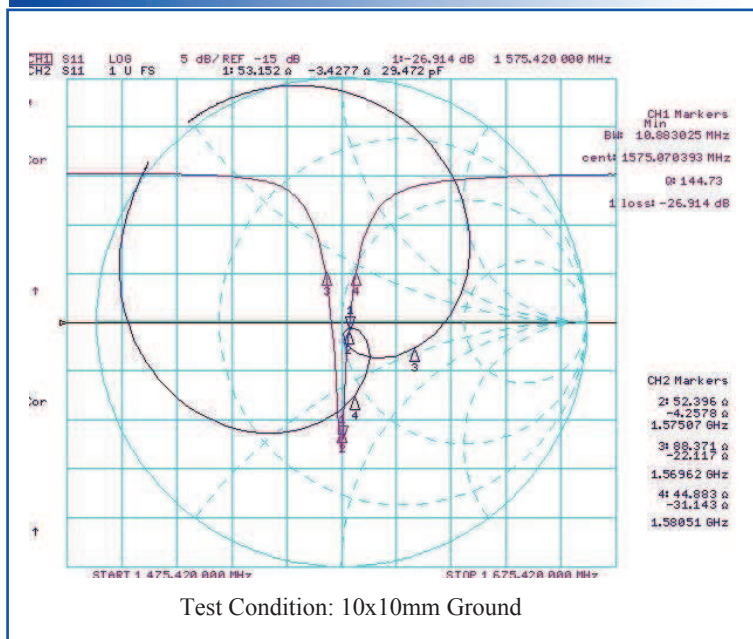
### Antenna

Parameters	Min.	Typ.	Max.	Units	Note
Center Frequency	1575.42±1.02			MHz	
Bandwidth	3			MHz	
Gain		-2.0		dBic	(Peak gain on 70*70mm Ground Plane facing Zenith.)
VSWR @ Center Frequency		1.5			
Polarization Model	RHCP				(Right Hand Circular Polarization)
Impedance	50			Ω	
Working Temperature	-25		+72	°C	
Storage Temperature	-45		+85	°C	

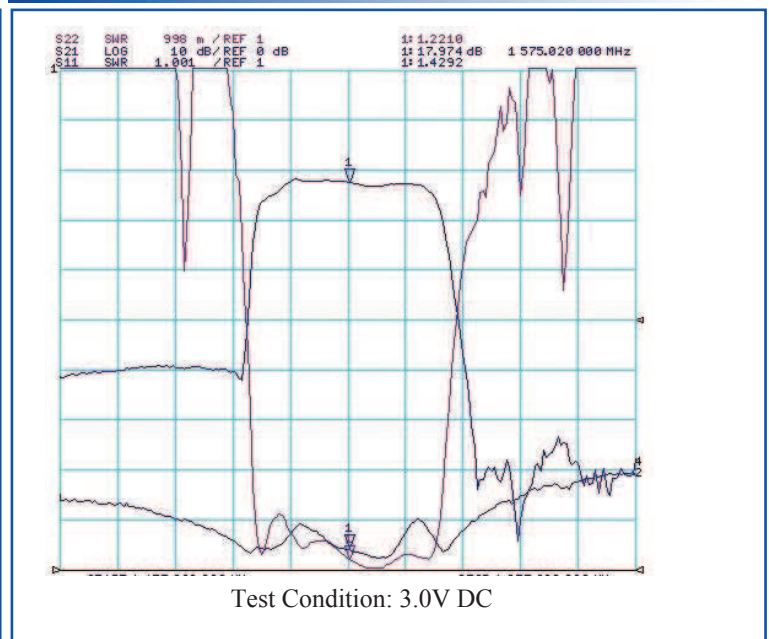
### Low Noise Amplifier (LNA)

Parameters	Min.	Typ.	Max.	Units	Note
Center Frequency	1575.42±1.02			MHz	
DC Voltage	2.70		3.30	V	
Gain		18		dB	(Without cable +25°C± 10°C)
Output VSWR		2.0			
Noise Figure		2.0			(+25°C± 10°C)
DC current		3.5		mA	(At 3.0V)

## SMITH CHART



## GPS LNA GAIN PLOT

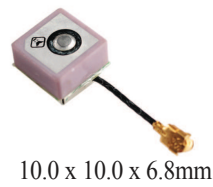




# GPS Active Internal Patch

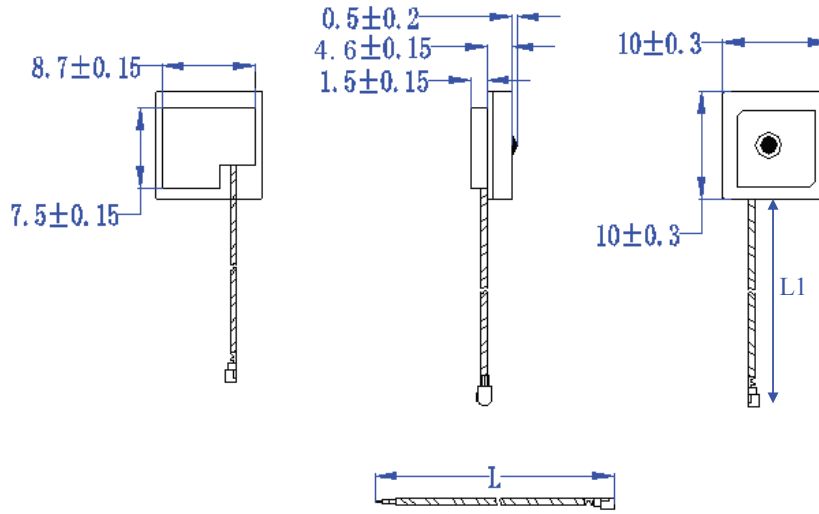
**APAM1068JL01V2.0**

RoHS/RoHS II compliant



10.0 x 10.0 x 6.8mm

## OUTLINE DIMENSION:

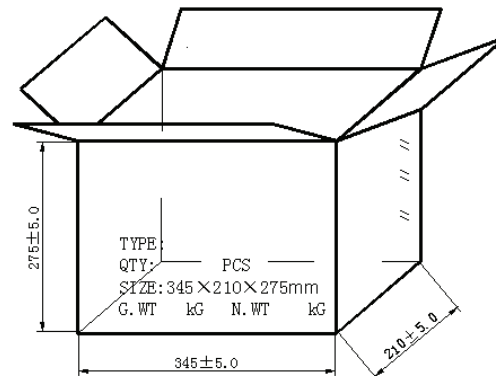
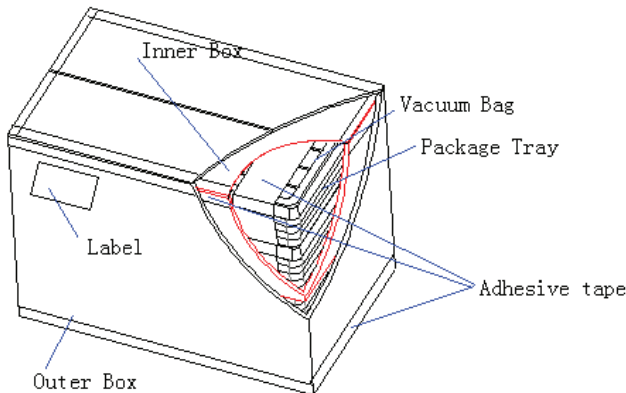
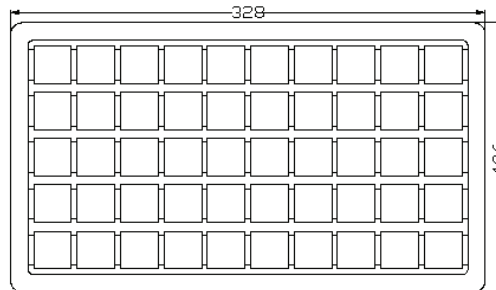


Description	Material
Antenna Type	Dielectric Ceramics
PCB	FR4
Shielding	Tinplate
RF Cable	φ0.81±0.1mm, L1=15±2mm, L=20mm
RF Connector	I-PEX
Thickness	6.8mm Max

Unit: mm

## PACKAGING:

Package Type	Quantity
Tray	50 pcs/tray
Vacuum Bag	200pcs/box
Outer Box	1000 pcs/box



**ATTENTION:** Abracon Corporation's products are COTS – Commercial-Off-The-Shelf products; suitable for Commercial, Industrial and, where designated, Automotive Applications. Abracon's products are not specifically designed for Military, Aviation, Aerospace, Life-dependant Medical applications or any application requiring high reliability where component failure could result in loss of life and/or property. For applications requiring high reliability and/or presenting an extreme operating environment, written consent and authorization from Abracon Corporation is required. Please contact Abracon Corporation for more information.

ABRACON IS  
ISO9001:2008  
CERTIFIED



Visit [www.abracon.com](http://www.abracon.com) for Terms & Conditions of Sale **Revised 06.20.14**  
30332 Esperanza, Rancho Santa Margarita, California 92688  
tel 949-546-8000 | fax 949-546-8001 | [www.abracon.com](http://www.abracon.com)