



Chipsmall Limited consists of a professional team with an average of over 10 year of expertise in the distribution of electronic components. Based in Hongkong, we have already established firm and mutual-benefit business relationships with customers from,Europe,America and south Asia,supplying obsolete and hard-to-find components to meet their specific needs.

With the principle of “Quality Parts,Customers Priority,Honest Operation,and Considerate Service”,our business mainly focus on the distribution of electronic components. Line cards we deal with include Microchip,ALPS,ROHM,Xilinx,Pulse,ON,Everlight and Freescale. Main products comprise IC,Modules,Potentiometer,IC Socket,Relay,Connector.Our parts cover such applications as commercial,industrial, and automotives areas.

We are looking forward to setting up business relationship with you and hope to provide you with the best service and solution. Let us make a better world for our industry!



Contact us

Tel: +86-755-8981 8866 Fax: +86-755-8427 6832

Email & Skype: info@chipsmall.com Web: www.chipsmall.com

Address: A1208, Overseas Decoration Building, #122 Zhenhua RD., Futian, Shenzhen, China



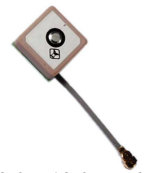
GPS Active Internal Patch

APAM1348YD13V2.0



ESD Sensitive

RoHS/RoHS II compliant



13.0 x 13.0 x 5.6mm

MSL level: Not Applicable

FEATURES:

- Compact Size
- Easy to Install
- RoHS Compliant

TYPICAL APPLICATIONS:

- Automotive Navigation, Marine buoys,
- Personal Tracking
- Surveying equipment, Cell phone, Laptop,
- Healthcare and medical monitoring devices, PND, PDA

STANDARD SPECIFICATIONS:

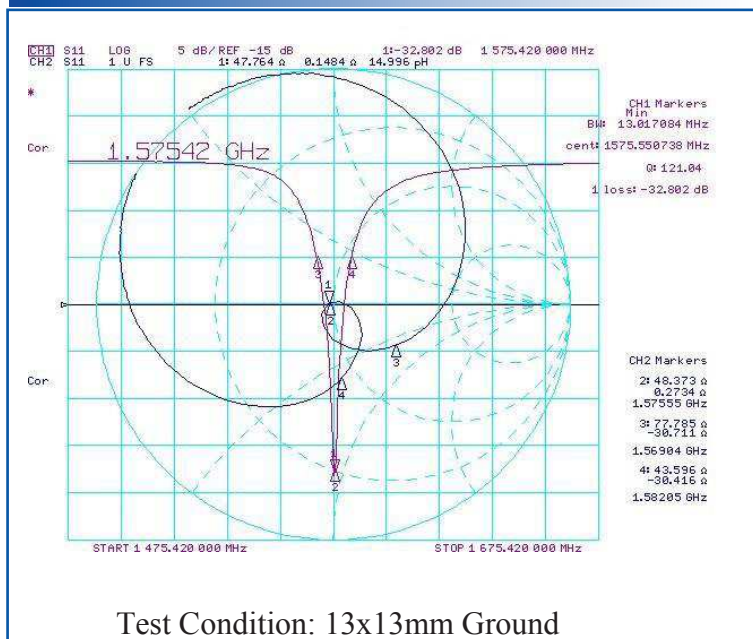
Antenna

Parameters	Min.	Typ.	Max.	Units	Note
Center Frequency	1575.42± 1.02			MHz	
Bandwidth	5			MHz	
Gain		1.0		dBic	(Peak gain on 70*70mm Ground Plane facing Zenith.)
VSWR @ Center Frequency		1.5			
Polarization Model	RHCP				(Right Hand Circular Polarization)
Impedance	50			Ω	
Working Temperature	-25		+72	°C	
Storage Temperature	-45		85	°C	

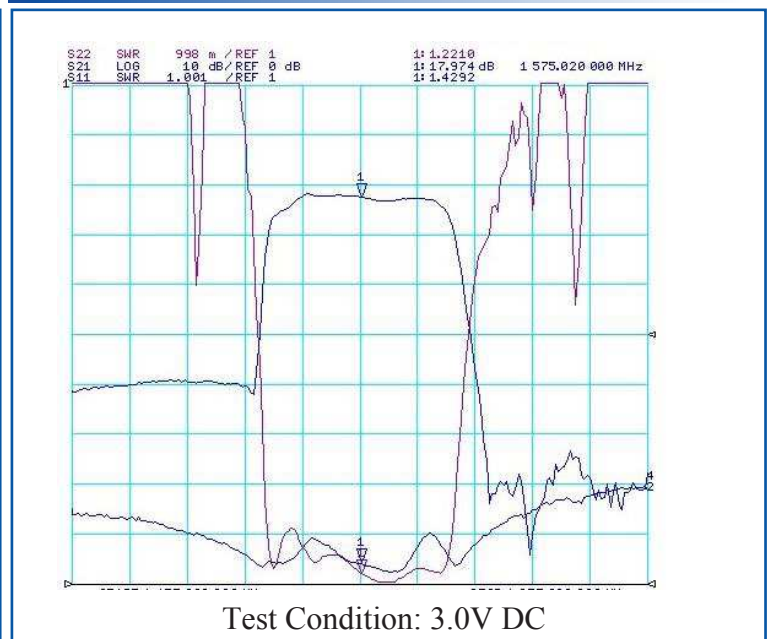
Low Noise Amplifier (LNA)

Parameters	Min.	Typ.	Max.	Units	Note
Center Frequency	1575.42± 1.02			MHz	
DC Voltage	2.70		3.30	V	
Gain		19		dB	(Without cable +25°C± 10°C)
Output VSWR		1.5			
Noise Figure		1.3			(+25°C± 10°C)
DC current		3.5		mA	(At 3.0V)

SMITH CHART



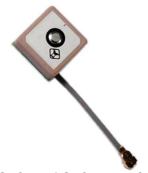
GPS LNA GAIN PLOT



GPS Active Internal Patch

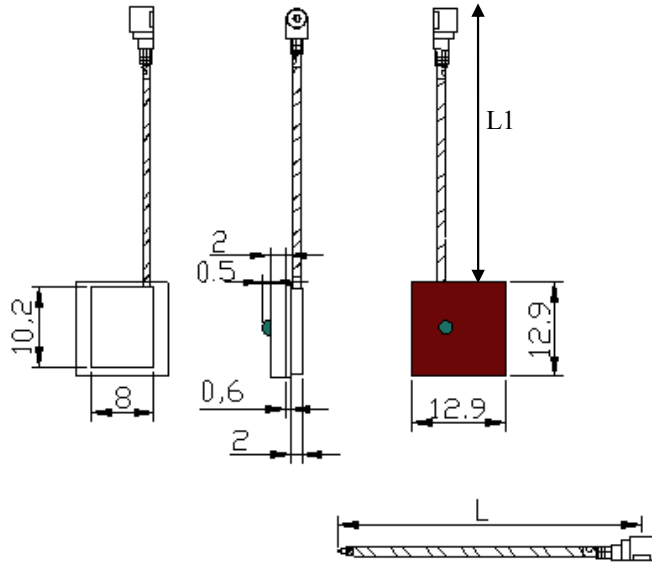
APAM1348YD13V2.0

RoHS/RoHS II compliant



13.0 x 13.0 x 5.6mm

OUTLINE DIMENSION:



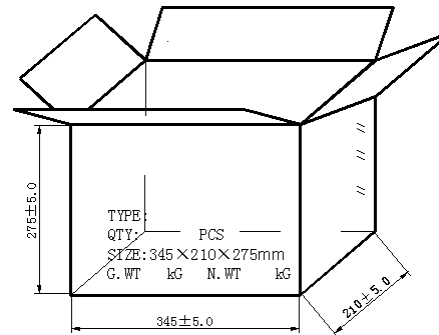
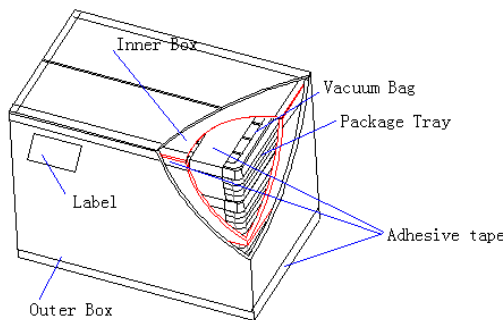
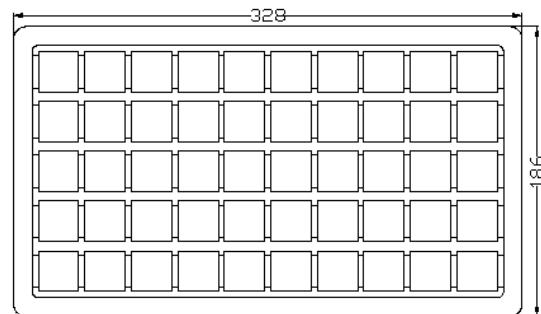
Tolerance: $\pm 0.2\text{mm}$

Description	Material
Antenna Type	Dielectric Ceramics
PCB	FR4
Shielding	Tinplate
RF Cable	9851SC0032-002, $\phi 0.81 \pm 0.1\text{mm}$, $L1 = 33 \pm 3\text{mm}$, $L = 37 \pm 3\text{mm}$
RF Connector	I-PEX
Thickness	5.6mm Max

Unit: mm

PACKAGING

Package Type	Quantity
Tray	50 pcs/tray
Vacuum Bag	200 pcs/box
Outer Box	1000 pcs/box



ATTENTION: Abracon Corporation's products are COTS – Commercial-Off-The-Shelf products; suitable for Commercial, Industrial and, where designated, Automotive Applications. Abracon's products are not specifically designed for Military, Aviation, Aerospace, Life-dependant Medical applications or any application requiring high reliability where component failure could result in loss of life and/or property. For applications requiring high reliability and/or presenting an extreme operating environment, written consent and authorization from Abracon Corporation is required. Please contact Abracon Corporation for more information.

ABRACON IS
ISO9001:2008
CERTIFIED



Visit www.abracon.com for Terms & Conditions of Sale **Revised 06.23.14**
30332 Esperanza, Rancho Santa Margarita, California 92688
tel 949-546-8000 | fax 949-546-8001 | www.abracon.com