



Chipsmall Limited consists of a professional team with an average of over 10 year of expertise in the distribution of electronic components. Based in Hongkong, we have already established firm and mutual-benefit business relationships with customers from,Europe,America and south Asia,supplying obsolete and hard-to-find components to meet their specific needs.

With the principle of “Quality Parts,Customers Priority,Honest Operation,and Considerate Service”,our business mainly focus on the distribution of electronic components. Line cards we deal with include Microchip,ALPS,ROHM,Xilinx,Pulse,ON,Everlight and Freescale. Main products comprise IC,Modules,Potentiometer,IC Socket,Relay,Connector.Our parts cover such applications as commercial,industrial, and automotives areas.

We are looking forward to setting up business relationship with you and hope to provide you with the best service and solution. Let us make a better world for our industry!



Contact us

Tel: +86-755-8981 8866 Fax: +86-755-8427 6832

Email & Skype: info@chipsmall.com Web: www.chipsmall.com

Address: A1208, Overseas Decoration Building, #122 Zhenhua RD., Futian, Shenzhen, China



Bluetooth/Wi-Fi Antenna Module

APAMBJ-145

RoHS/RoHS II Compliant



Ø77.3 x 36.5 mm

MSL level: Not Applicable

FEATURES:

- Passive, External Dual band WiFi / Bluetooth antennas Covering WIFI / BLUETOOTH (2.4 GHz) and WIFI (5.1 - 5.9 GHz)
- Gain: 5 dBi max. at 2.4GHz; and 2dBi at 5.8GHz
- VSWR: 2:1
- RoHS/RoHS II compliant
- 2J Technology

TYPICAL APPLICATIONS:

- Vehicle WiFi Routers
- WiFi Terminals

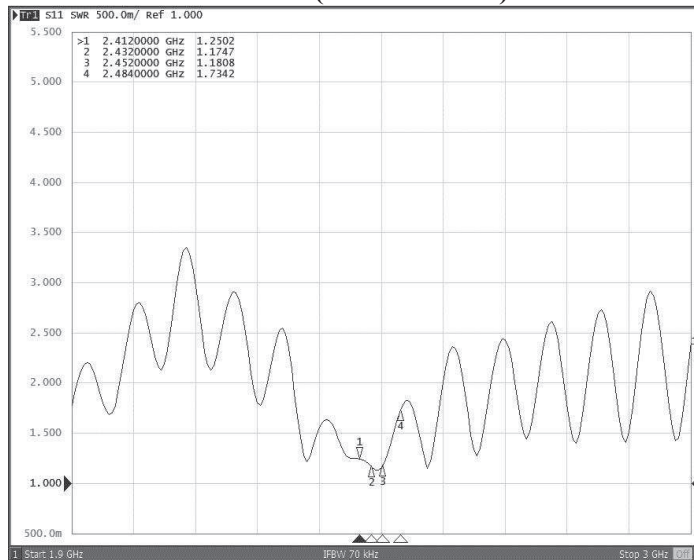
STANDARD SPECIFICATIONS:

Parameters	Min.	Typ.	Max.	Units	Note
Receiving Frequency		2.4		GHz	Wifi / Bluetooth
	5.1		5.9	GHz	WiFi
VSWR			2:1		
Polarization Model	Horizontal				
Impedance		50		Ω	
Gain			5	dBi	@ 2.4GHz
			2	dBi	@ 5.8 GHz
Operating Temperature	-40		+85	°C	

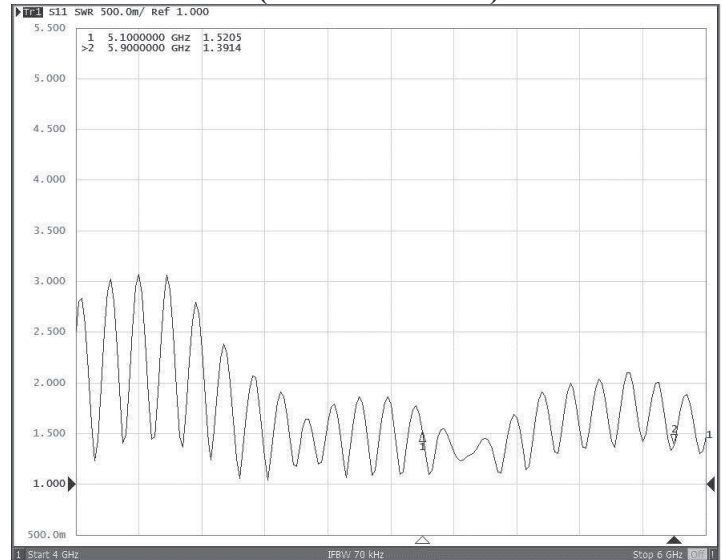
MEASUREMENTS:

Tested with 1m cable length on 30x30cm ground plane

VSWR (Wi-Fi 2.4GHz)



VSWR (Wi-Fi 5.1-5.9GHz)



Bluetooth/Wi-Fi Antenna Module

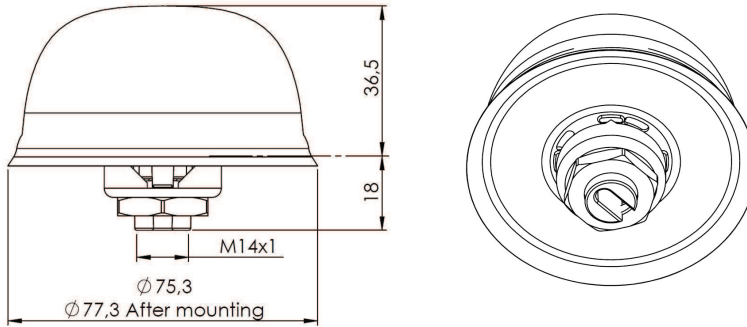
APAMBJ-145

RoHS/RoHS II Compliant



Ø77.3 x 36.5 mm

OUTLINE DIMENSION:



Parameters	Description
RF Connector	SMA Male
Weight	220g
Cable Type	RG174U
Cable Length	250cm
Lid	ABS
Base	Zamak
Gasket	TPE
Color	Black

PACKAGING:

Each antenna is packed individually in a 140x120x81mm box.



ABRACON IS
ISO9001:2008
CERTIFIED

 **ABRACON**[®] LLC
The Power of Linking Together

2 Faraday, Suite# B | Irvine | CA 92618 Revised: 02.09.16
Ph. 949.546.8000 | Fax. 949.546.8001
Visit www.abracon.com for Terms and Conditions of Sale

Bluetooth/Wi-Fi Antenna Module

APAMBJ-145

RoHS/RoHS II Compliant



Ø77.3 x 36.5 mm

CAUTION:

- (1) Do not apply excess mechanical stress to the component body or terminations. Do not attempt to re-form or bend the components as this will cause damage to the component.
- (2) Do not expose the component to open flame.
- (3) This specification applies to the functionality of the component as a single unit. Please insure the component is thoroughly evaluated in the application circuit.

NOTE:

- 1) The parts are manufactured in accordance with this specification. If other conditions and specifications which are required for this specification, please contact ABRACON for more information.
- 2) ABRACON will supply the parts in accordance with this specification unless we receive a written request to modify prior to an order placement.
- 3) In no case shall ABRACON be liable for any product failure from in appropriate handling or operation of the item beyond the scope of this specification.
- 4) When changing your production process, please notify ABRACON immediately.
- 5) ABRACON Corporation's products are COTS – Commercial-Off-The-Shelf products; suitable for Commercial, Industrial and, where designated, Automotive Applications. ABRACON's products are not specifically designed for Military, Aviation, Aerospace, Life-dependant Medical applications or any application requiring high reliability where component failure could result in loss of life and/or property. For applications requiring high reliability and/or presenting an extreme operating environment, written consent and authorization from ABRACON Corporation is required. Please contact ABRACON Corporation for more information.
- 6) All specifications and Marking will be subject to change without notice.

ATTENTION: Abracon Corporation's products are COTS – Commercial-Off-The-Shelf products; suitable for Commercial, Industrial and, where designated, Automotive Applications. Abracon's products are not specifically designed for Military, Aviation, Aerospace, Life-dependant Medical applications or any application requiring high reliability where component failure could result in loss of life and/or property. For applications requiring high reliability and/or presenting an extreme operating environment, written consent and authorization from Abracon Corporation is required. Please contact Abracon Corporation for more information.

ABRACON IS
ISO9001:2008
CERTIFIED



2 Faraday, Suite# B | Irvine | CA 92618 **Revised: 02.09.16**
Ph. 949.546.8000 | Fax. 949.546.8001
Visit www.abracon.com for Terms and Conditions of Sale