



Chipsmall Limited consists of a professional team with an average of over 10 year of expertise in the distribution of electronic components. Based in Hongkong, we have already established firm and mutual-benefit business relationships with customers from,Europe,America and south Asia,supplying obsolete and hard-to-find components to meet their specific needs.

With the principle of "Quality Parts,Customers Priority,Honest Operation,and Considerate Service",our business mainly focus on the distribution of electronic components. Line cards we deal with include Microchip,ALPS,ROHM,Xilinx,Pulse,ON,Everlight and Freescale. Main products comprise IC,Modules,Potentiometer,IC Socket,Relay,Connector.Our parts cover such applications as commercial,industrial, and automotives areas.

We are looking forward to setting up business relationship with you and hope to provide you with the best service and solution. Let us make a better world for our industry!



Contact us

Tel: +86-755-8981 8866 Fax: +86-755-8427 6832

Email & Skype: info@chipsmall.com Web: www.chipsmall.com

Address: A1208, Overseas Decoration Building, #122 Zhenhua RD., Futian, Shenzhen, China



GPS Active Antenna Module

APAMPJ-133

RoHS/RoHS II compliant

Lead in copper alloy exemption (6c); and Lead in glass exemption (7c-1)



41.0 X 34.0 X 14.5mm

MSL level: Not Applicable

FEATURES:

- GPS External Module 1575.42MHz
- Compact design 41 x 34 x 14.5mm
- Patch with low gain LNA
- Low gain to reduce chance of saturation of RFIC
- Gain (13dBm min / 17dBm max)
- Out of band rejection 83dB min
- DC Supply (2.7V min / 5.5V max)
- Easy to install (adhesive tape base)
- RoHS/RoHS II compliant

TYPICAL APPLICATIONS:

- Automotive Navigation
- Tracking Systems
- GPS Navigation in urban canyons

STANDARD SPECIFICATIONS:

Antenna

| Parameters | Min. | Typ. | Max. | Units | Note |
|--------------------------|------|---------|-------|----------|------------------------------------|
| Center Frequency | | 1575.42 | | MHz | |
| Bandwidth | 10 | | | MHz | |
| VSWR at Center Frequency | | | 1.5:1 | | |
| Polarization Model | RHCP | | | | (Right Hand Circular Polarization) |
| Impedance | | 50 | | Ω | |
| Gain | | 4 | | dBic | (Based on 70x 70mm ground plane) |

Low Noise Amplifier (LNA)

| Parameters | Min. | Typ. | Max. | Units | Note |
|--|------|---------|------|-------|-----------------------------|
| Center Frequency | | 1575.42 | | MHz | |
| DC Voltage | 1.8 | | 5.0 | V | |
| Gain | 13 | 15 | 17 | dB | (Without cable +25°C± 10°C) |
| Out-of-band Rejection (Absolute Value) | 83 | | | dB | (fo+100MHz) |
| | 53 | | | dB | (fo-100MHz) |
| Output VSWR | | | 2.0 | | |
| Noise Figure | | | 2 | dB | |
| DC current | | | 3 | mA | (@ 1.8V) |
| | | | 7 | | (@ 3.3V) |
| | | | 12 | | (@ 5.0V) |
| Power | | | 60 | mW | |

Overall (complete module including RF connector)

| Parameters | Min. | Typ. | Max. | Units | Note |
|-----------------------|------|---------|------|----------|----------------------------------|
| Center Frequency | | 1575.42 | | MHz | |
| Gain | 14 | 16 | 18 | dBic | (Based on 70x70mm ground plane.) |
| Output VSWR | | | 2.0 | | |
| Impedance | | 50 | | Ω | |
| Operating Temperature | -40 | | +85 | °C | |

GPS Active Antenna Module

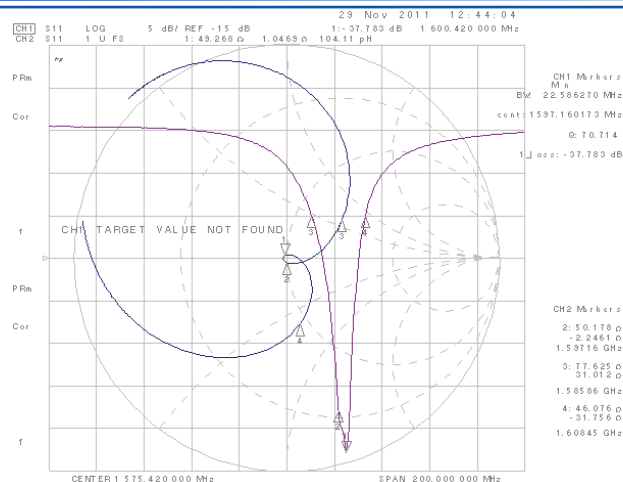
APAMPJ-133

RoHS/RoHS II compliant
Lead in copper alloy exemption (6c); and Lead in glass exemption (7c-1)

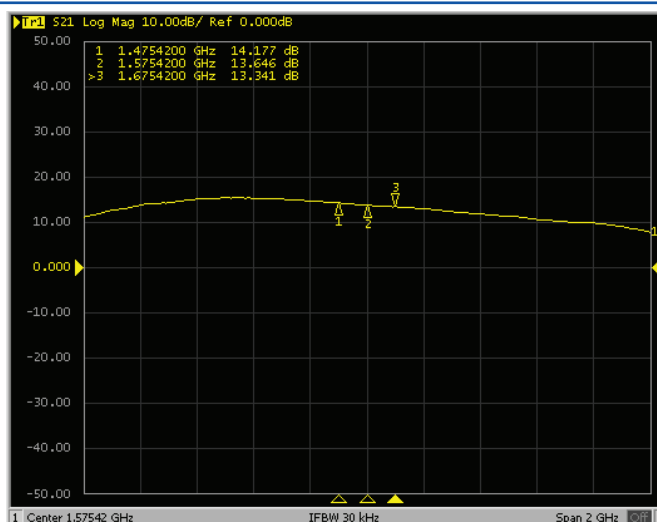


41.0 X 34.0 X 14.5mm

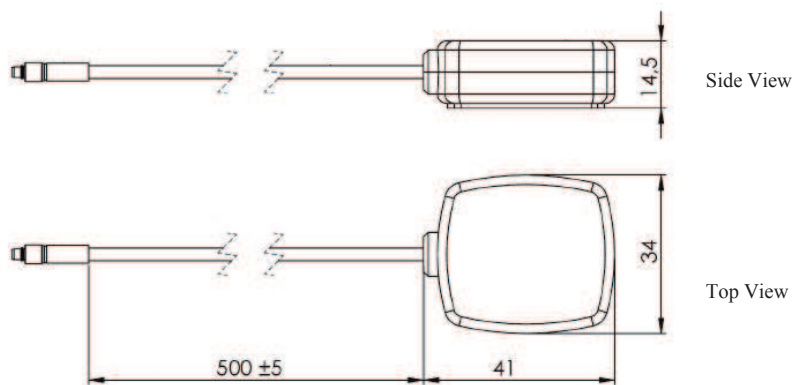
ANTENNA'S IMPEDANCE AND RETURN-LOSS CHARACTERISTICS



ANTENNA S21 GAIN



OUTLINE DRAWING:



| Parameters | Description |
|----------------------|------------------------------|
| L (Cable Length) | 500±5cm |
| Antenna | Dielectric Ceramic |
| RF Cable Attenuation | 1.3 dB/m |
| RF Cable | Coax. cable RG174U |
| PCB | FR4 |
| RF Connector | MMCX, Male, Straight, Nickel |
| Housing | Black ABS |
| Mounting | Adhesive Tape |

Unit:mm

ABRACON IS
ISO9001:2008
CERTIFIED

ABRACON[®]
The Power of Linking Together

2 Faraday, Suite# B | Irvine | CA 92618 Revised: 04.28.15
Ph. 949.546.8000 | Fax. 949.546.8001
Visit www.abracon.com for Terms and Conditions of Sale

GPS Active Antenna Module

APAMPJ-133

RoHS/RoHS II compliant

Lead in copper alloy exemption (6c); and Lead in glass exemption (7c-1)



41.0 X 34.0 X 14.5mm

PACKAGING:

Antenna is packaged in 100x200x0.1mm size poly bag. There are 300pcs in 465x310x250mm size box.



CAUTION:

- (1) Do not apply excess mechanical stress to the component body or terminations.
Do not attempt to re-form or bend the components as this will cause damage to them.
- (2) Do not expose the component to open flame.
- (3) This specification applies to the functionality of the component as a single unit.
Please evaluate your specifications before mounting this product.

ATTENTION: Abracon Corporation's products are COTS – Commercial-Off-The-Shelf products; suitable for Commercial, Industrial and, where designated, Automotive Applications. Abracon's products are not specifically designed for Military, Aviation, Aerospace, Life-dependant Medical applications or any application requiring high reliability where component failure could result in loss of life and/or property. For applications requiring high reliability and/or presenting an extreme operating environment, written consent and authorization from Abracon Corporation is required. Please contact Abracon Corporation for more information.

ABRACON IS
ISO9001:2008
CERTIFIED

 **ABRACON**[®] LLC
The Power of Linking Together

2 Faraday, Suite# B | Irvine | CA 92618 **Revised: 04.28.15**
Ph. 949.546.8000 | Fax. 949.546.8001
Visit www.abracon.com for Terms and Conditions of Sale