



Chipsmall Limited consists of a professional team with an average of over 10 year of expertise in the distribution of electronic components. Based in Hongkong, we have already established firm and mutual-benefit business relationships with customers from,Europe,America and south Asia,supplying obsolete and hard-to-find components to meet their specific needs.

With the principle of "Quality Parts,Customers Priority,Honest Operation,and Considerate Service",our business mainly focus on the distribution of electronic components. Line cards we deal with include Microchip,ALPS,ROHM,Xilinx,Pulse,ON,Everlight and Freescale. Main products comprise IC,Modules,Potentiometer,IC Socket,Relay,Connector.Our parts cover such applications as commercial,industrial, and automotives areas.

We are looking forward to setting up business relationship with you and hope to provide you with the best service and solution. Let us make a better world for our industry!



Contact us

Tel: +86-755-8981 8866 Fax: +86-755-8427 6832

Email & Skype: info@chipsmall.com Web: www.chipsmall.com

Address: A1208, Overseas Decoration Building, #122 Zhenhua RD., Futian, Shenzhen, China



External GSM Antenna

APAMS-118

RoHS/RoHS II compliant

Lead in copper alloy exemption (6c); and Lead in glass exemption (7c-1)



108.1xØ10.0mm

MSL level: Not Applicable

FEATURES:

- High Reliability/ Sensitivity
- Compact Size
- Easy to install
- ROHS Compliant

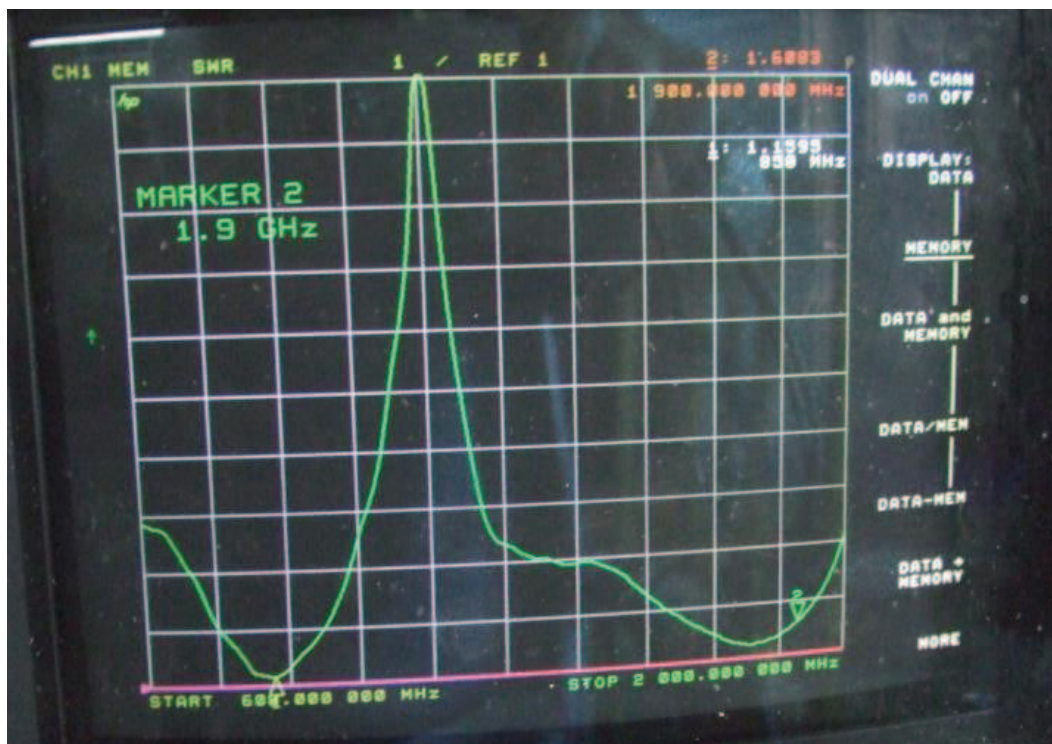
TYPICAL APPLICATIONS:

- Wireless Communications
- GSM
- GPRS
- CDMA
- UMTS
- Vehicle Monitoring

STANDARD SPECIFICATIONS:

Parameters	Min.	Typ.	Max.	Units	Note
Frequency Range	890		960	MHz	(GSM900)
	1710		1880	MHz	(GSM1800)
Bandwidth		70		MHz	(@900MHz)
		170		MHz	(@1800MHz)
VSWR		2:1			
Polarization Model	Linear Polarization				
Impedance		50		Ω	
Gain		2		dBi	(@900MHz)
		3		dBi	(@1800MHz)
Azimuth	Omni-Directional				
Operating Temperature	-45		+85	°C	
Storage Temperature	-45		+85	°C	

S11 CHARACTERISTICS



ABRACON IS
ISO9001:2008
CERTIFIED



ABRACON
CORPORATION

2 Faraday, Suite# B | Irvine | CA 92618 Revised: 12.03.14
Ph. 949.546.8000 | Fax. 949.546.8001

Visit www.abracon.com for Terms and Conditions of Sale

External GSM Antenna

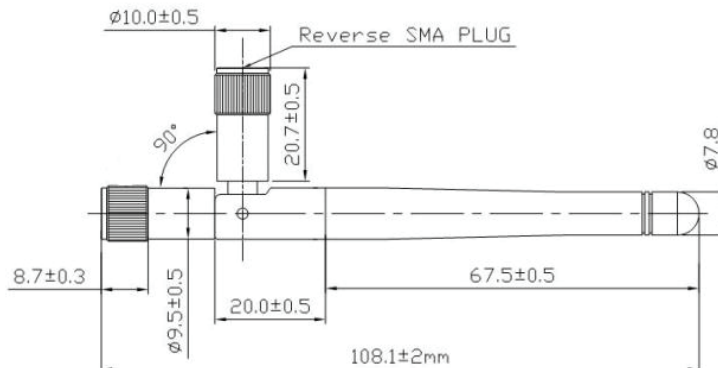
APAMS-118

RoHS/RoHS II compliant
Lead in copper alloy exemption (6c); and Lead in glass exemption (7c-1)



108.1xØ10.0mm

OUTLINE DRAWING:

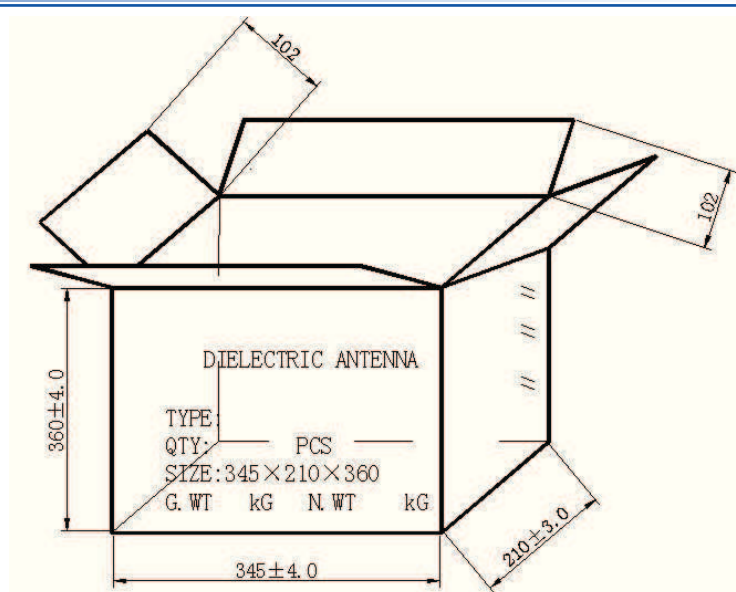


Parameters	Description
RF Connector	SMA-J3
Radiator	Nickel-plated
Weight	10g
Enclosures	Plastic
Color	Black

Unit: mm

PACKAGING:

Package Type	Quantity
Plastic bag	1 pcs/ Plastic bag
Outer Box	1000 pcs/box



Outer box

CAUTION:

- (1) Do not apply excess mechanical stress to the component body or terminations. Do not attempt to re-form or bend the components as this will cause damage to the component.
- (2) Do not expose the component to open flame.
- (3) This specification applies to the functionality of the component as a single unit. Please insure the component is thoroughly evaluated in the application circuit.

ATTENTION: Abracon Corporation's products are COTS – Commercial-Off-The-Shelf products; suitable for Commercial, Industrial and, where designated, Automotive Applications. Abracon's products are not specifically designed for Military, Aviation, Aerospace, Life-dependant Medical applications or any application requiring high reliability where component failure could result in loss of life and/or property. For applications requiring high reliability and/or presenting an extreme operating environment, written consent and authorization from Abracon Corporation is required. Please contact Abracon Corporation for more information.

ABRACON IS
ISO9001:2008
CERTIFIED



2 Faraday, Suite# B | Irvine | CA 92618 **Revised: 12.03.14**
Ph. 949.546.8000 | Fax. 949.546.8001
Visit www.abracon.com for Terms and Conditions of Sale