



Chipsmall Limited consists of a professional team with an average of over 10 year of expertise in the distribution of electronic components. Based in Hongkong, we have already established firm and mutual-benefit business relationships with customers from,Europe,America and south Asia,supplying obsolete and hard-to-find components to meet their specific needs.

With the principle of “Quality Parts,Customers Priority,Honest Operation,and Considerate Service”,our business mainly focus on the distribution of electronic components. Line cards we deal with include Microchip,ALPS,ROHM,Xilinx,Pulse,ON,Everlight and Freescale. Main products comprise IC,Modules,Potentiometer,IC Socket,Relay,Connector.Our parts cover such applications as commercial,industrial, and automotives areas.

We are looking forward to setting up business relationship with you and hope to provide you with the best service and solution. Let us make a better world for our industry!



## Contact us

Tel: +86-755-8981 8866 Fax: +86-755-8427 6832

Email & Skype: info@chipsmall.com Web: www.chipsmall.com

Address: A1208, Overseas Decoration Building, #122 Zhenhua RD., Futian, Shenzhen, China



# WiFi Antenna Module

## APAMSJ-137

RoHS/RoHS II compliant

Lead in copper alloy exemption (6c); and Lead in glass exemption (7c-1)



44.0 x Ø9.6 mm

MSL level: Not Applicable

### FEATURES:

- 5.0GHz WiFi
- VSWR 3:1
- Compact size only 44mm in length
- Linear Polarization
- SMA connector
- RoHS/RoHS II compliant

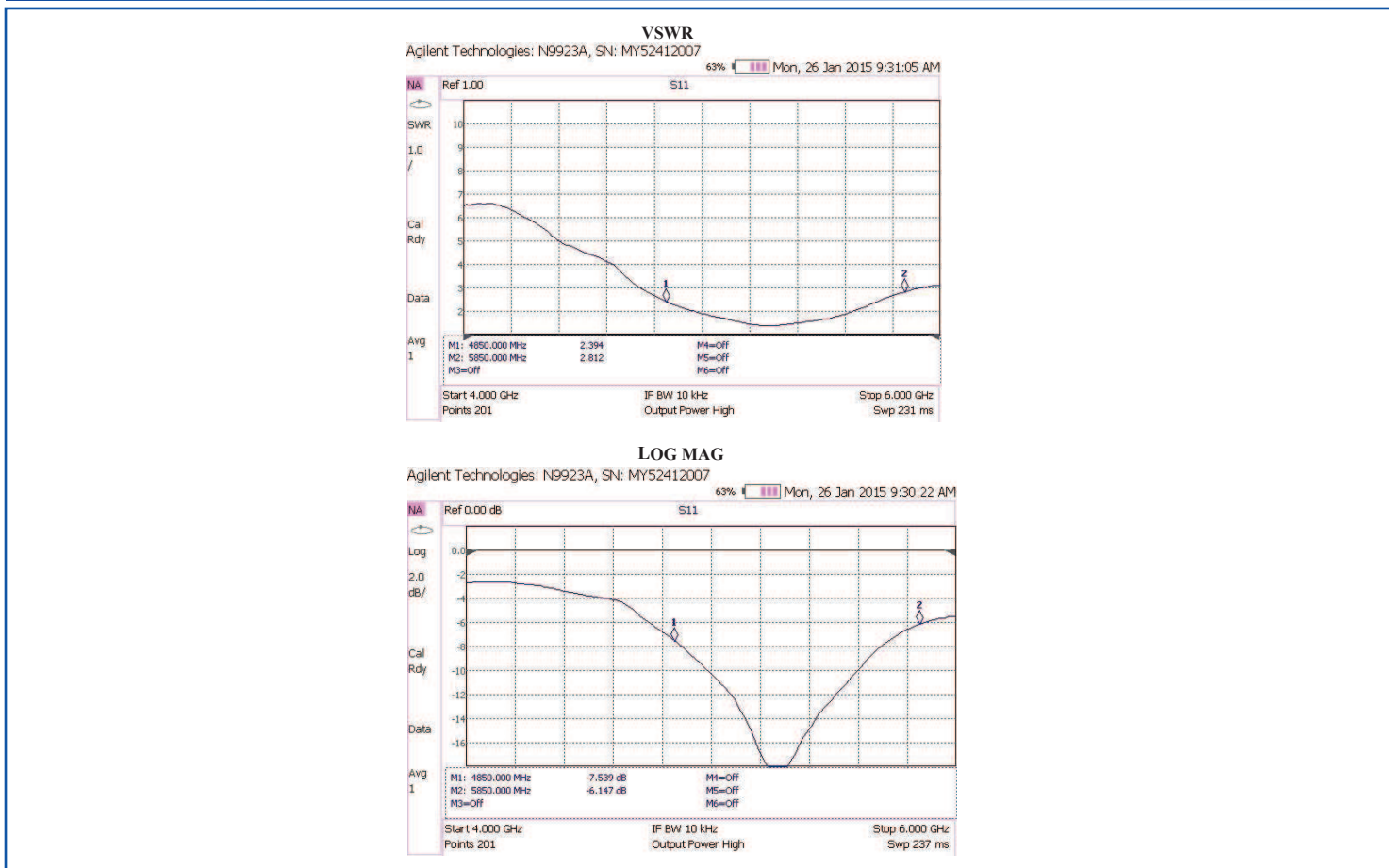
### TYPICAL APPLICATIONS:

- WiFi 4.85 - 5.85GHz
- Routers
- Wireless Networks

### STANDARD SPECIFICATIONS:

Parameters	Min.	Typ.	Max.	Units	Note
Frequency Range	4.85		5.85	GHz	WiFi
Bandwidth		1.0		GHz	
VSWR		3:1			
Polarization Model	Linear Polarization				
Impedance		50		$\Omega$	
Gain			5	dBi	
Azimuth	Omni-Directional				
Operating Temperature	-40		+85	$^{\circ}\text{C}$	
Storage Temperature				$^{\circ}\text{C}$	

### S11 CHARACTERISTICS



ABRACON IS  
ISO9001:2008  
CERTIFIED



2 Faraday, Suite# B | Irvine | CA 92618 Revised: 04.28.15  
Ph. 949.546.8000 | Fax. 949.546.8001  
Visit [www.abracon.com](http://www.abracon.com) for Terms and Conditions of Sale

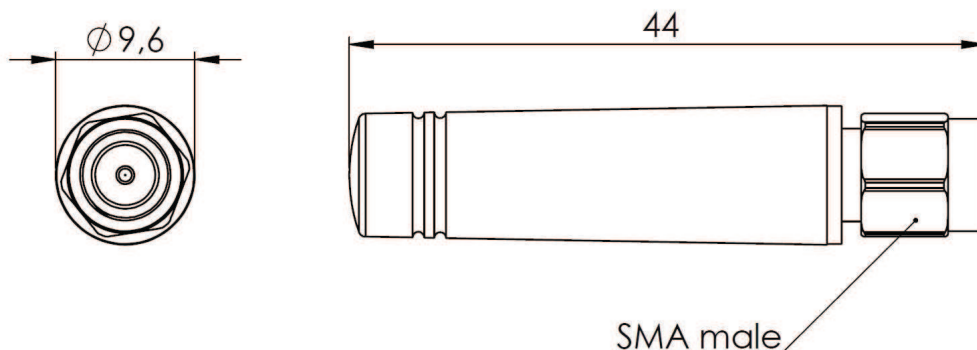
# WiFi Antenna Module

APAMSJ-137

RoHS/RoHS II compliant  
Lead in copper alloy exemption (6c); and Lead in glass exemption (7c-1)



## OUTLINE DRAWING:



Parameters	Description
RF Connector	SMA-J3
Weight	6g
Enclosures	Plastic
Color	Black

## PACKAGING:

Package Type	Quantity	Dimensions	Weight
Plastic bag	1 pcs/ Plastic bag	100 x 150 mm	6 g
Outer Box	1000 pcs/box	470 x 310 x 210 mm	7 kg

### CAUTION:

- (1) Do not apply excess mechanical stress to the component body or terminations.  
Do not attempt to re-form or bend the components as this will cause damage to them.
- (2) Do not expose the component to open flame.
- (3) This specification applies to the functionality of the component as a single unit.  
Please evaluate your specifications before mounting this product.

**ATTENTION:** Abracon Corporation's products are COTS – Commercial-Off-The-Shelf products; suitable for Commercial, Industrial and, where designated, Automotive Applications. Abracon's products are not specifically designed for Military, Aviation, Aerospace, Life-dependant Medical applications or any application requiring high reliability where component failure could result in loss of life and/or property. For applications requiring high reliability and/or presenting an extreme operating environment, written consent and authorization from Abracon Corporation is required. Please contact Abracon Corporation for more information.

ABRACON IS  
ISO9001:2008  
CERTIFIED

 **ABRACON**<sup>®</sup>  
The Power of Linking Together

2 Faraday, Suite# B | Irvine | CA 92618 **Revised: 04.28.15**  
Ph. 949.546.8000 | Fax. 949.546.8001  
Visit [www.abracon.com](http://www.abracon.com) for Terms and Conditions of Sale