



Chipsmall Limited consists of a professional team with an average of over 10 year of expertise in the distribution of electronic components. Based in Hongkong, we have already established firm and mutual-benefit business relationships with customers from,Europe,America and south Asia,supplying obsolete and hard-to-find components to meet their specific needs.

With the principle of “Quality Parts,Customers Priority,Honest Operation,and Considerate Service”,our business mainly focus on the distribution of electronic components. Line cards we deal with include Microchip,ALPS,ROHM,Xilinx,Pulse,ON,Everlight and Freescale. Main products comprise IC,Modules,Potentiometer,IC Socket,Relay,Connector.Our parts cover such applications as commercial,industrial, and automotives areas.

We are looking forward to setting up business relationship with you and hope to provide you with the best service and solution. Let us make a better world for our industry!



Contact us

Tel: +86-755-8981 8866 Fax: +86-755-8427 6832

Email & Skype: info@chipsmall.com Web: www.chipsmall.com

Address: A1208, Overseas Decoration Building, #122 Zhenhua RD., Futian, Shenzhen, China



Tetra Antenna Module

APAMSTJ-139

RoHS/RoHS II compliant



54.6xØ13.2mm

MSL level: Not Applicable

FEATURES:

- TETRA Whip Antenna (380 ~ 500MHz)
- Compact design 54.6mm x 13.2mm
- Ground Plane type
- Gain (2dBi max)
- VSWR 1.5:1 max
- Whip mount with male SMA
- RoHS/RoHS II compliant

TYPICAL APPLICATIONS:

- TETRA Radios
- Emergency Services
- Public Safety

STANDARD SPECIFICATIONS:

Parameters	Min.	Typ.	Max.	Units	Note
Receiving Frequency	380		500	MHz	(Center frequency can be tuned between 380-500 MHz)
Bandwidth	15	20	25	MHz	
VSWR			1.5:1		
Polarization Model	Vertical				
Impedance		50		Ω	
Gain			2.0	dBi	
Operating Temperature	-40		+85	$^{\circ}\text{C}$	

ANTENNA MATCHING S11 CHARACTERISTICS

Antenna is tuned to 433MHz on 45x90mm ground plane.

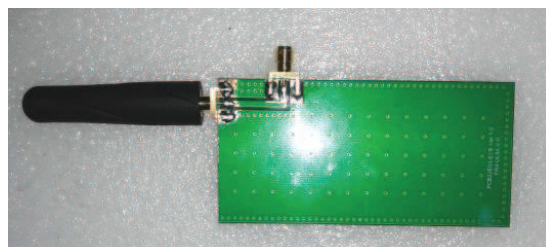


Figure 1 - Antenna placement with grounding board

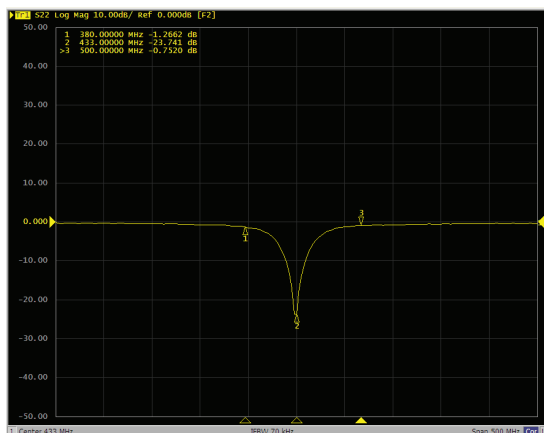


Figure 2 - Log Mag
(Tuned on 45x90mm ground plane to 433MHz)

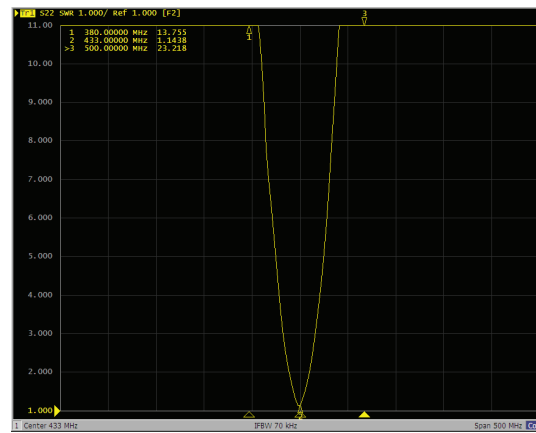


Figure 3 - VSWR
(Tuned on 45x90mm ground plane to 433MHz)

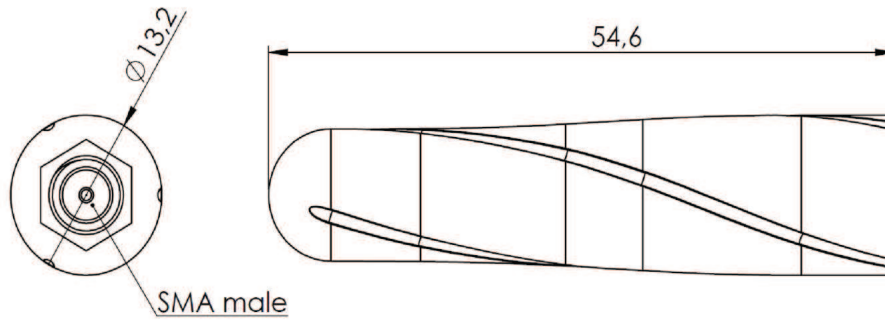
Tetra Antenna Module

APAMSTJ-139

RoHS/RoHS II compliant



OUTLINE DRAWING:



Parameters	Description
RF Connector	SMA Male
Weight	11 g
Material	TPE
Color	Black

Unit: mm

PACKAGING:

Each antenna is packed individually in a poly bag. 1000 pieces is the suggested quantity in a 465 x 310 x 250mm size box.



CAUTION:

- (1) Do not apply excess mechanical stress to the component body or terminations. Do not attempt to re-form or bend the components as this will cause damage to the component.
- (2) Do not expose the component to open flame.
- (3) This specification applies to the functionality of the component as a single unit. Please ensure the component is thoroughly evaluated in the application circuit.

ATTENTION: Abracon Corporation's products are COTS – Commercial-Off-The-Shelf products; suitable for Commercial, Industrial and, where designated, Automotive Applications. Abracon's products are not specifically designed for Military, Aviation, Aerospace, Life-dependant Medical applications or any application requiring high reliability where component failure could result in loss of life and/or property. For applications requiring high reliability and/or presenting an extreme operating environment, written consent and authorization from Abracon Corporation is required. Please contact Abracon Corporation for more information.

ABRACON IS
ISO9001:2008
CERTIFIED



2 Faraday, Suite# B | Irvine | CA 92618 Revised: 06.11.15
Ph. 949.546.8000 | Fax. 949.546.8001
Visit www.abracon.com for Terms and Conditions of Sale