



Chipsmall Limited consists of a professional team with an average of over 10 year of expertise in the distribution of electronic components. Based in Hongkong, we have already established firm and mutual-benefit business relationships with customers from,Europe,America and south Asia,supplying obsolete and hard-to-find components to meet their specific needs.

With the principle of “Quality Parts,Customers Priority,Honest Operation,and Considerate Service”,our business mainly focus on the distribution of electronic components. Line cards we deal with include Microchip,ALPS,ROHM,Xilinx,Pulse,ON,Everlight and Freescale. Main products comprise IC,Modules,Potentiometer,IC Socket,Relay,Connector.Our parts cover such applications as commercial,industrial, and automotives areas.

We are looking forward to setting up business relationship with you and hope to provide you with the best service and solution. Let us make a better world for our industry!



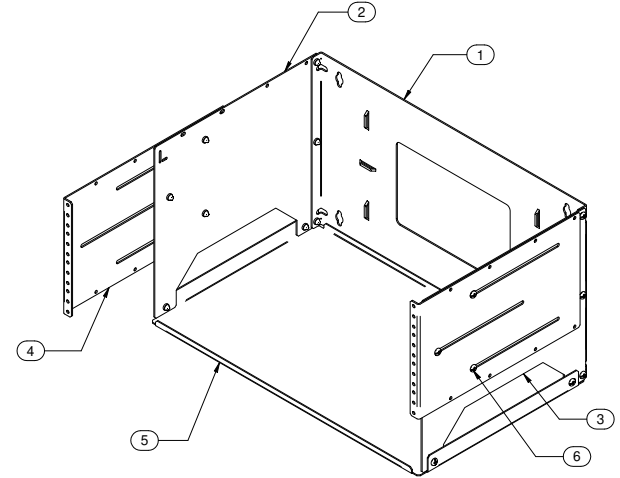
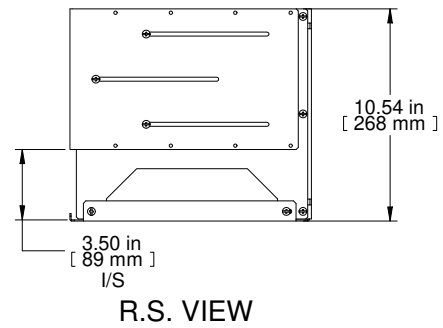
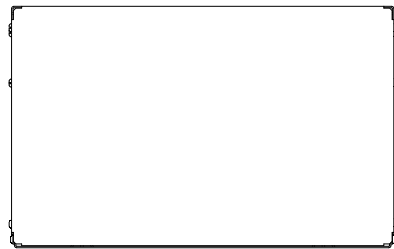
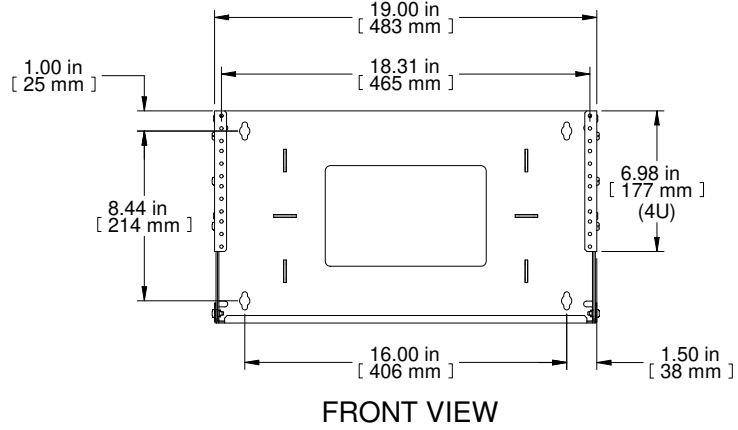
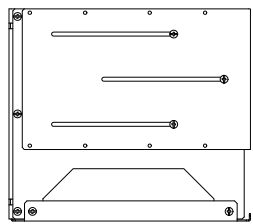
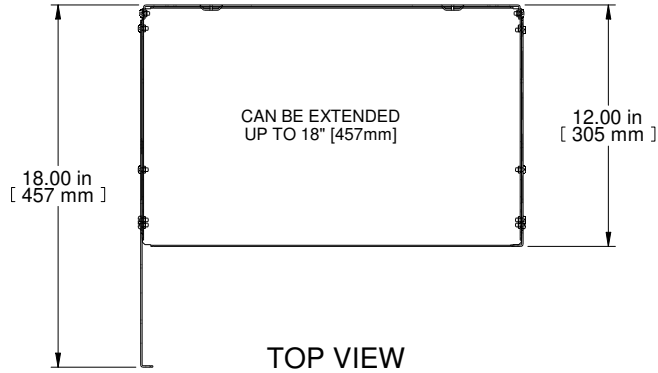
Contact us

Tel: +86-755-8981 8866 Fax: +86-755-8427 6832

Email & Skype: info@chipsmall.com Web: www.chipsmall.com

Address: A1208, Overseas Decoration Building, #122 Zhenhua RD., Futian, Shenzhen, China





Item Number	Title	Quantity
1	4U APBS - REAR PANEL	1
2	4U APBS - SIDE PANEL (LH)	1
3	4U APBS - SIDE PANEL (RH)	1
4	4U APBS - ADJ SIDE BRKTS	2
5	19" APBS - BOTTOM SHELF	1
6	SCREW 10-32 X 3/8 BDHD SLZP	16

PART NUMBERS
 APB194U | PAINTED BLACK THIN FILM
 Adjustable depth from 12" to 18". [305mm to 457mm]
 Wall mounting hardware "not included".
 Equipment mounting hardware supplied
 Made from 14 GA steel, except shelf, 16GA steel.

Français
 Pour tous les détails sur nos produits, svp veuillez consulter notre site www.hammondmfg.com

Data subject to change without notice. Isometric drawing not to scale.
 Les données sont sujettes à changement sans préavis.

HAMMOND MANUFACTURING.
www.hammondmfg.com
PART NO. APBS194UBK