



Chipsmall Limited consists of a professional team with an average of over 10 year of expertise in the distribution of electronic components. Based in Hongkong, we have already established firm and mutual-benefit business relationships with customers from,Europe,America and south Asia,supplying obsolete and hard-to-find components to meet their specific needs.

With the principle of "Quality Parts,Customers Priority,Honest Operation,and Considerate Service",our business mainly focus on the distribution of electronic components. Line cards we deal with include Microchip,ALPS,ROHM,Xilinx,Pulse,ON,Everlight and Freescale. Main products comprise IC,Modules,Potentiometer,IC Socket,Relay,Connector.Our parts cover such applications as commercial,industrial, and automotives areas.

We are looking forward to setting up business relationship with you and hope to provide you with the best service and solution. Let us make a better world for our industry!



Contact us

Tel: +86-755-8981 8866 Fax: +86-755-8427 6832

Email & Skype: info@chipsmall.com Web: www.chipsmall.com

Address: A1208, Overseas Decoration Building, #122 Zhenhua RD., Futian, Shenzhen, China



Apacer

The Most **Reliable**
Storage For Industries



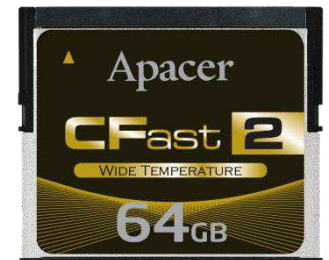
CFast 2



CFast 2

Overview

Since CompactFlash Association released the specification of CFast 2.0, Apacer takes the lead to roll out the first industrial-grade SATA 3.0 (6Gb/s) high-speed transmission interface CFast 2.0 memory card around the globe. Its sequential speed is up to 285/260 MB/sec and dimensions is 42.8mm x 36.4mm x 3.6mm with (7+17) pin connector. Besides featuring a 2-Channel bidirectional structure, the CFast 2.0 adopts Toggle DDR 2.0 NAND Flash, which brings its performance to a higher level. Support for DEVSLP (Device Sleep) power mode enables them to switch into a low power state on standby mode so as to save power for companies.



Feature

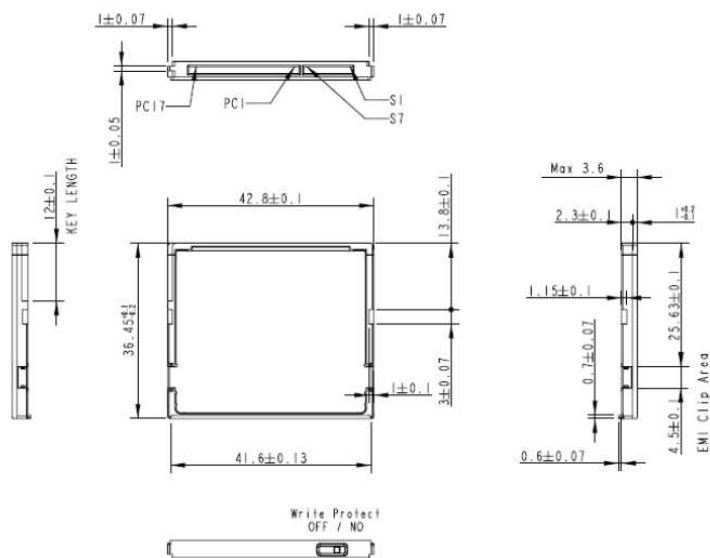
- Compliant with CFast 2.0 specifications
- Built-in ATA Secure Erase and S.M.A.R.T. Functions
- Advanced wear-leveling and Block Management
- Intelligent Power Failure Recovery
- DEVSLP Support (Optional)
- HW Write-Protect Switch (Optional)

Specifications

Model	CFast 2
Interface	SATA 3.0 (6Gb/s)
Connector	(7+17) pin male
Form Factor	CFast 3.0
NAND Flash Type	SLC
Capacity	4GB~64GB
External DRAM	NA
Sustained Read Performance (MB/sec)	Up to 285
Sustained Write Performance (MB/sec)	Up to 260
ECC Engine	Built-in 40-bit per 1K bytes BCH ECC
Standard Operating Temperature (°C)	0 ~ + 70
Extended Operating Temperature (°C)	-40 ~ + 85
Storage Temperature (°C)	-40 ~ + 100
Shock	Operating Shock: 50G, 11ms Non-operating Shock: 1500G, 0.5ms)
Vibration	Operating Vibration: 7.69 Grms, 20~2000 Hz/random (compliant with MIL-STD-810G) Non-operating Vibration: 15 Grms, 10~2000 Hz/sine (compliant with MIL-STD-810G)
Operating Voltage	3.3 V ± 5%
Power Consumption	Active mode: 500 mA & Idle mode: 90 mA
Dimension (L x W x H)	42.8 x 36.4 x 3.6 (mm)
MTBF (hours)	>2,000,000

Mechanical Specification

With Write Protect Switch



Unit: mm

For more information, contact your Apacer representative

Global Presence

Taiwan (Headquarters)
Apacer Technology Inc.
Tel: +886-2-2267-8000
Fax: +886-2-2267-2261

Europe
Apacer Technology B.V.
Tel: +31-40-267-0000
Fax: +31-40-290-0686

U.S.A.
Apacer Memory America, Inc.
Tel: +1-408-518-8699
Fax: 1-510-249-9551

China
Apacer Electronic(Shanghai)
Co., Ltd.
Tel: +86-21-6228-9939

Japan
Apacer Technology Corp.
Tel: +81-3-5419-2668
Fax: +81-3-5419-0018

India
Apacer Technologies Pvt. Ltd.
Tel: +91-80-41529061~3
Fax: +91-80-41700215