



Chipsmall Limited consists of a professional team with an average of over 10 year of expertise in the distribution of electronic components. Based in Hongkong, we have already established firm and mutual-benefit business relationships with customers from,Europe,America and south Asia,supplying obsolete and hard-to-find components to meet their specific needs.

With the principle of "Quality Parts,Customers Priority,Honest Operation,and Considerate Service",our business mainly focus on the distribution of electronic components. Line cards we deal with include Microchip,ALPS,ROHM,Xilinx,Pulse,ON,Everlight and Freescale. Main products comprise IC,Modules,Potentiometer,IC Socket,Relay,Connector.Our parts cover such applications as commercial,industrial, and automotives areas.

We are looking forward to setting up business relationship with you and hope to provide you with the best service and solution. Let us make a better world for our industry!



## Contact us

Tel: +86-755-8981 8866 Fax: +86-755-8427 6832

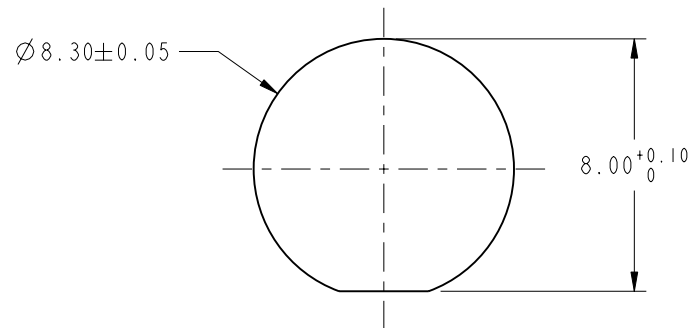
Email & Skype: info@chipsmall.com Web: www.chipsmall.com

Address: A1208, Overseas Decoration Building, #122 Zhenhua RD., Futian, Shenzhen, China

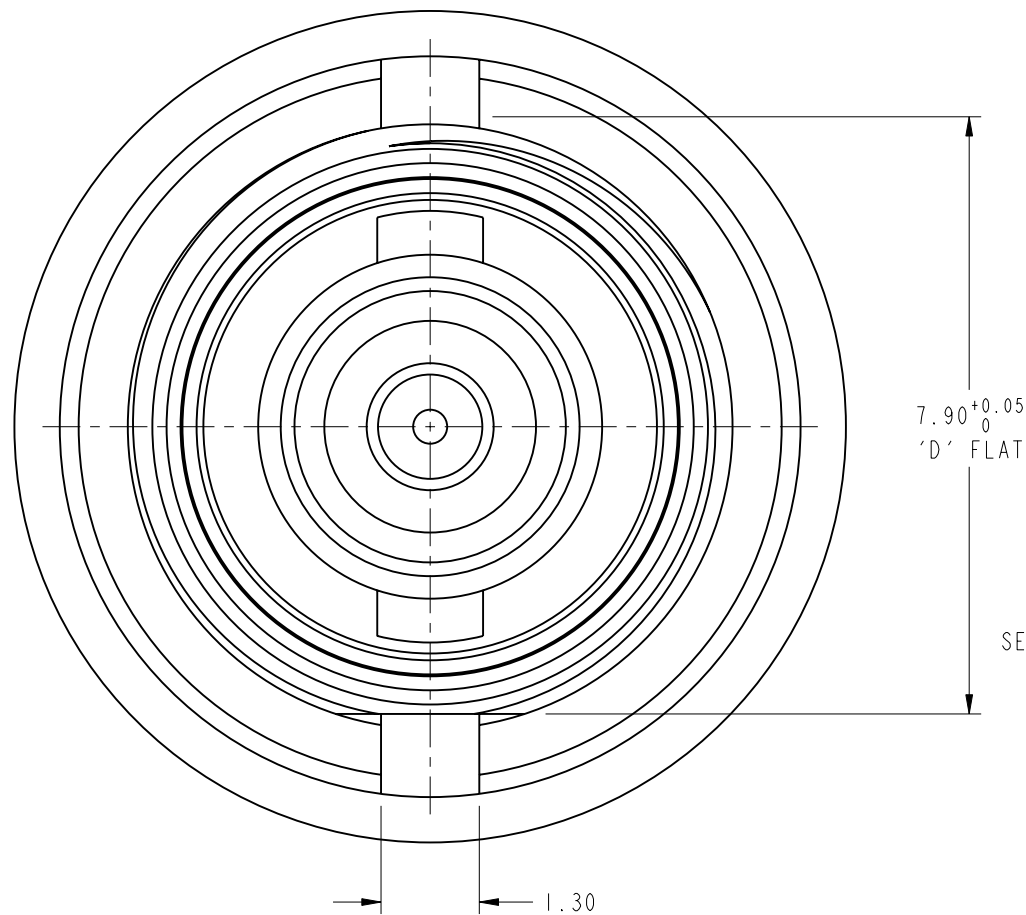


NOTES:

1. MATERIALS AND FINISHES:  
 BODYS - BRASS, NICKEL PLATING  
 CONTACT - BeCu, GOLD PLATING  
 SLEEVE - DELRIN  
 INSULATOR - PTFE
2. ELECTRICAL:  
 A. IMPEDANCE: 75 OHM  
 B. FREQUENCY RANGE: DC - 3 GHz  
 C. RETURN LOSS: -30 dB MIN @ 3 GHz
3. MECHANICAL:  
 A. DURABILITY: 500 CYCLES MIN.  
 B. TEMPERATURE RANGE: +65° C TO -165° C
4. PACKAGING:  
 A. QUANTITY: SINGLE PACK  
 B. MARKING: BAG TO BE MARKED  
 "AMPHENOLRF, APH-HD-ISO-HD AND DATE CODE"



**SCALE 4.200  
 RECOMMENDED  
 MOUNTING HOLE DIMENSIONS**

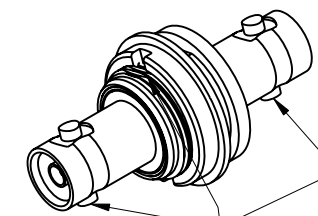


INTERFACE PER  
 349-50820  
 SERIES: HD-BNC JACK  
 TYP(2)

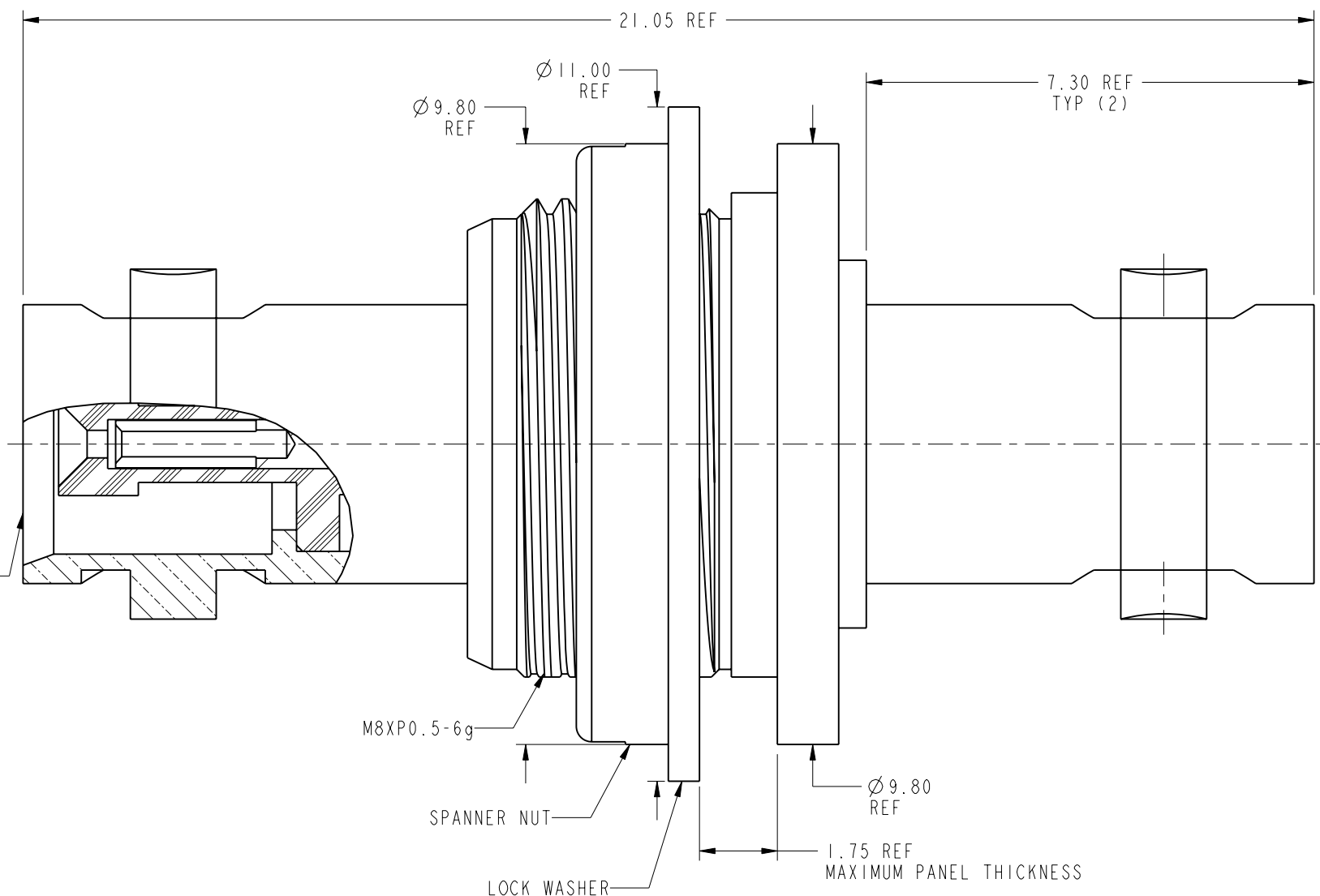
THIRD ANGLE PROJ.

REVISIONS

REV	DESCRIPTION	DATE	ECO	APPR
A	RELEASE TO MFG	30-Mar-11	48505	CL
B	'D' FLAT 7.90 WAS 7.80	22-Jul-11	48638	SCOTT
C	ADDED LOCK WASHER	27-Sep-11	48749	SCOTT



SCALE 2.000  
 ORIENT STUDS AXIS  
 WITH RESPECT TO 'D' FLAT  
 AS SHOWN



UNLESS OTHERWISE SPECIFIED, DIMENSIONS ARE IN METRIC AND TOLERANCES ARE:  
 <0.5mm ± 0.05mm    0.5 - 6mm ± 0.1mm    6 - 30mm ± 0.2mm    30 - 120mm ± 0.3mm    ANGLES ± 1°

NOTICE - These drawings, specifications, or other data (1) are, and remain the property of Amphenol corp. (2) must be returned upon request; and (3) are confidential and not to be disclosed to any person other than those to whom they are given by Amphenol Corp. the finishing of these drawings, specifications, or other data by Amphenol Corp., or to any other person to anyone for any purpose is not to be regarded by implication or otherwise in any manner licensing, granting rights to permitting such holder or any other person to manufacture, use or sell any product, process or design, patented or otherwise, that may in any way be related to or disclosed by said drawings, specifications, or other data.

MATERIAL	SEE NOTES
REFERENCE	EAR # 4295 AND EXP:615X-2733-100
CONFIGURATION LEVEL:	<input type="checkbox"/> <input type="checkbox"/> <input type="checkbox"/>
FINISH	

DRAWN	I.XU	DATE	27-Sep-11
ENGINEER	R.KARTHIK	DATE	19-Nov-10
APPROVED	S.HSIEH	DATE	27-Sep-11
CAD FILE			

TITLE	ISOLATED ADAPTER HD BNC JACK TO HD BNC JACK
SCALE:	10.0:1.0
SHEET	2 OF 2
DWG SIZE	B
REV	C

Amphenol RF	
<a href="http://www.amphenolrf.com">www.amphenolrf.com</a>	
DRAWING NO. APH-HD-ISO-HD	
ITEM NO. APH-HD-ISO-HD	
PART NO. APH-HD-ISO-HD	