



Chipsmall Limited consists of a professional team with an average of over 10 year of expertise in the distribution of electronic components. Based in Hongkong, we have already established firm and mutual-benefit business relationships with customers from,Europe,America and south Asia,supplying obsolete and hard-to-find components to meet their specific needs.

With the principle of “Quality Parts,Customers Priority,Honest Operation,and Considerate Service”,our business mainly focus on the distribution of electronic components. Line cards we deal with include Microchip,ALPS,ROHM,Xilinx,Pulse,ON,Everlight and Freescale. Main products comprise IC,Modules,Potentiometer,IC Socket,Relay,Connector.Our parts cover such applications as commercial,industrial, and automotives areas.

We are looking forward to setting up business relationship with you and hope to provide you with the best service and solution. Let us make a better world for our industry!



Contact us

Tel: +86-755-8981 8866 Fax: +86-755-8427 6832

Email & Skype: info@chipsmall.com Web: www.chipsmall.com

Address: A1208, Overseas Decoration Building, #122 Zhenhua RD., Futian, Shenzhen, China



Apacer

The Most **Reliable**
Storage For Industries



AH321-M



AH321-M

Overview

In addition to the highly reliable SLC chips, Apacer also offer the cost-effective MLC solutions, the industrial AH321-M adopting USB2.0 with up to 64GB, to provide more options to customers. The greatest difference between the industrial-grade USB drives and other consumer flash drives on the market lies in its firmware version and major components that can be fixed. Apacer's clients can benefit from the stable, long-term supply, with compatibility issues caused by frequent product component changes significantly reduced. Time and money spent on product verification can also be saved.



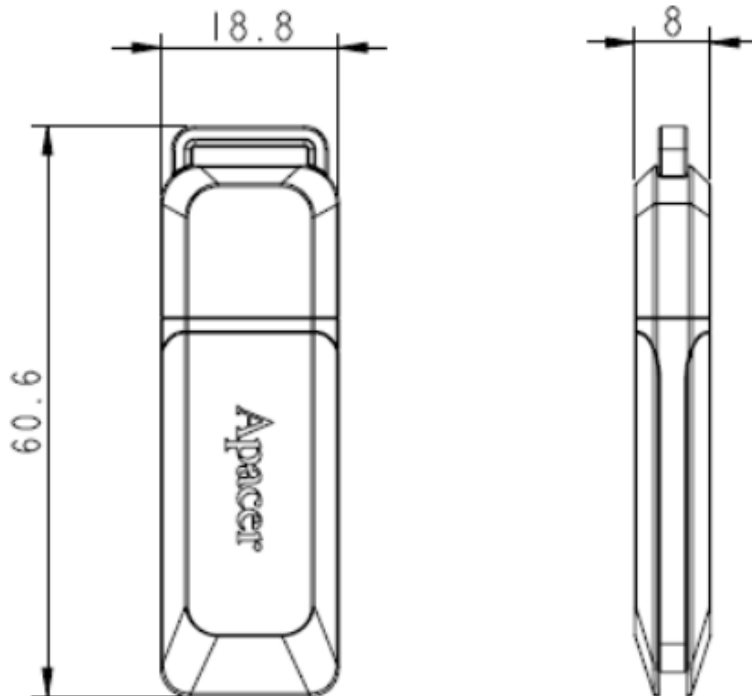
Feature

- USB 2.0 high-speed transmission
- Implements advanced wear-leveling algorithms
- ECC engine
- Power Saving implemented
- Optional Industrial temp. range -40°C to 85°C

Specifications

Model	AH321-M
Interface	USB2.0
Connector	USB2.0 A Type Plug
Form Factor	USB flash drive
NAND Flash Type	MLC
Capacity	4G~64GB
Sustained Read Performance (MB/sec)	Up to 33
Sustained Write Performance (MB/sec)	Up to 16
ECC Engine	Built-in 24-bit per 1K bytes BCH ECC
Standard Operating Temperature (°C)	0 ~ + 70
Extended Operating Temperature (°C)	-40 ~ + 85
Storage Temperature (°C)	-40 ~ + 100
Shock	Operation: 1500G, 0.5ms Non-operation: 50G, 11ms
Vibration	Operation: 7.69 Grms, 20~2000 Hz/random (comply with MIL-STD-810G) Non-operation: 15 G, 10 ~ 2000 Hz/sine
Operating Voltage	5.0 V ± 5%
Power Consumption	Active mode: 185 mA & Idle mode: 65 mA
Dimension (L x W x H)	60.6 x 18.8 x 8
MTBF (hours)	>2,000,000

Mechanical Specification



Tolerance: $\pm 0.2\text{mm}$

Unit: mm

For more information, contact your Apacer representative

Global Presence

Taiwan (Headquarters)
Apacer Technology Inc.
Tel: +886-2-2267-8000
Fax: +886-2-2267-2261

Europe
Apacer Technology B.V.
Tel: +31-40-267-0000
Fax: +31-40-290-0686

U.S.A.
Apacer Memory America, Inc.
Tel: +1-408-518-8699
Fax: 1-510-249-9551

China
Apacer Electronic(Shanghai)
Co., Ltd.
Tel: +86-21-6228-9939

Japan
Apacer Technology Corp.
Tel: +81-3-5419-2668
Fax: +81-3-5419-0018

India
Apacer Technologies Pvt. Ltd.
Tel: +91-80-41529061~3
Fax: +91-80-41700215