



Chipsmall Limited consists of a professional team with an average of over 10 year of expertise in the distribution of electronic components. Based in Hongkong, we have already established firm and mutual-benefit business relationships with customers from,Europe,America and south Asia,supplying obsolete and hard-to-find components to meet their specific needs.

With the principle of “Quality Parts,Customers Priority,Honest Operation,and Considerate Service”,our business mainly focus on the distribution of electronic components. Line cards we deal with include Microchip,ALPS,ROHM,Xilinx,Pulse,ON,Everlight and Freescale. Main products comprise IC,Modules,Potentiometer,IC Socket,Relay,Connector.Our parts cover such applications as commercial,industrial, and automotives areas.

We are looking forward to setting up business relationship with you and hope to provide you with the best service and solution. Let us make a better world for our industry!



Contact us

Tel: +86-755-8981 8866 Fax: +86-755-8427 6832

Email & Skype: info@chipsmall.com Web: www.chipsmall.com

Address: A1208, Overseas Decoration Building, #122 Zhenhua RD., Futian, Shenzhen, China



RoHS Compliant

USB Flash Drive

EH353 Product Specifications

February 16, 2015

Version 1.0



Apacer
Access the best

Apacer Technology Inc.

1F, No.32, Zhongcheng Rd., Tucheng Dist., New Taipei City, Taiwan, R.O.C

Tel: +886-2-2267-8000 Fax: +886-2-2267-2261

www.apacer.com

FEATURES:

- **USB3.0 Super Speed compatible, and backward compatible with USB2.0 & interface**
 - USB3.0 max. transfer rate: 5.0 Gbps
 - Backward compatible with 480Mbps & 12 Mbps
- **Capacity**
 - SLC: 256, 512 MB
1, 2, 4, 8, 16, 32 GB
 - MLC: 8, 16, 32, 64 GB
- **Performance***
 - Sustained read: up to 205 MB/s
 - Sustained write: up to 85 MB/s
- **Intelligent USB Module**
 - Built-in hardware ECC
 - Power saving implemented
- **Temperature ranges**
 - Operating:
Standard: 0°C to 70°C
Extended: -40°C to +85°C C
 - Storage: -40°C to +85°C
- **Power consumption (typical)***
 - Active mode: 225 mA
 - Idle mode: 65 mA
 - Operating voltage: 5V
- **RoHS Compliant**
- **USB bus-powered capability**
- **NAND Flash Type: SLC/MLC**
- **Dimension: 59.0 x 18.4 x 9.1, unit: mm**

*Performance and power consumption addressed here vary from configurations and platforms.

Table of Contents

1. General Description.....	3
1.1 Performance-optimized USB Controller	3
1.1.1 Power Saving Implemented.....	3
1.1.2 Program RAM Architect	3
1.1.3 Error Correction Code (ECC).....	3
2. General Specifications	4
2.1 SLC.....	4
2.2 MLC	4
3. Absolute Maximum Rating	5
4. Physical Dimensions	6
5. Product Ordering Information	7
5.1 Product Code Designations.....	7
5.2 Valid Combinations.....	8
5.2.1 EH353 (SLC).....	8
5.2.2 EH353 (MLC).....	8

1. General Description

Apacer USB3.0 Handy FLASH Drive EH353 is ultra high-performance flash disk drive designed offering portable storage solutions or external memory expansion. This new generation USB flash drive is compatible with the latest USB specification – USB3.0 Super Speed, with a maximum transfer rate of 5.0 Gbps. The connector is backward employable with USB2.0 and USB1.1 interfaces as well. With compliance with USB3.0 specification, this USB drive can deliver up to 205 MB/s outstanding performance. Reliability wise, the USB comes with built-in hardware ECC to ensure data integrity. This product is well suited for portable flash storage applications while operating at minimal power consumption.

1.1 Performance-optimized USB Controller

1.1.1 Power Saving Implemented

The internal controller of the USB model is designed with power saving implementations, allowing the device to operate at low power consumption.

1.1.2 Program RAM Architect

The internal Program RAM implementation allows the host to upgrade firmware codes anytime when needed.

1.1.3 Error Correction Code (ECC)

The UFD utilizes 1-bit Error Detection Code (EDC) and Error Correction Code (ECC)

2. General Specifications

2.1 SLC

Interface	Super-speed USB3.0 compliant; backward compatible with USB 2.0 and USB 1.1								
Performance* (MB/s)		256MB	512MB	1GB	2GB	4GB	8GB	16GB	32GB
	Read (MB/s)	60	60	65	65	65	80	80	80
	Write (MB/s)	10	21	40	40	50	65	70	70
Temperature	0 to 70°C ;								
Power consumption*	Active: 225 mA Idle: 65 mA								
MTBF	1,000,000 hours								

*Results may vary from flash configurations or host system settings.

2.2 MLC

Interface	Super-speed USB3.0 compliant; backward compatible with USB 2.0 and USB 1.1				
Performance*		8GB	16GB	32GB	64GB
	Read (MB/s)	205	200	205	200
	Write (MB/s)	20	45	85	80
Temperature	0 to 70°C				
Power consumption*	Active: 265 mA Idle: 70 mA				
MTBF	1,000,000 hours				

*Results may vary from flash configurations or host system settings.

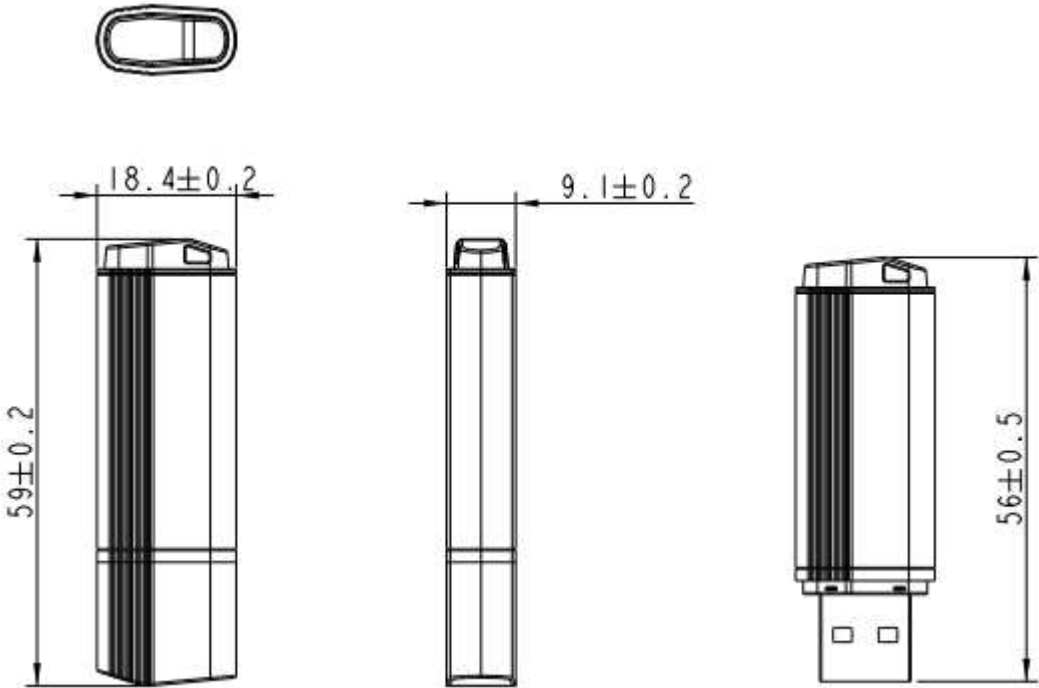
3. Absolute Maximum Rating

Caution: Absolute Maximum Stress Ratings – Applied conditions greater than those listed under “Absolute Maximum Stress Ratings” may cause permanent damage to the device. This is a stress rating only and functional operation of the device at these conditions or conditions greater than those defined in the operational sections of this data sheet is not implied. Exposure to absolute maximum stress rating conditions may affect device reliability.

Table: Absolute Stress Rating

Parameters	Conditions
Required power supply	4.5-5.5V
Operating temperature	0°C to 70°C; -40°C to +85°C(extended)
Storage temperature	-40°C to +85°C

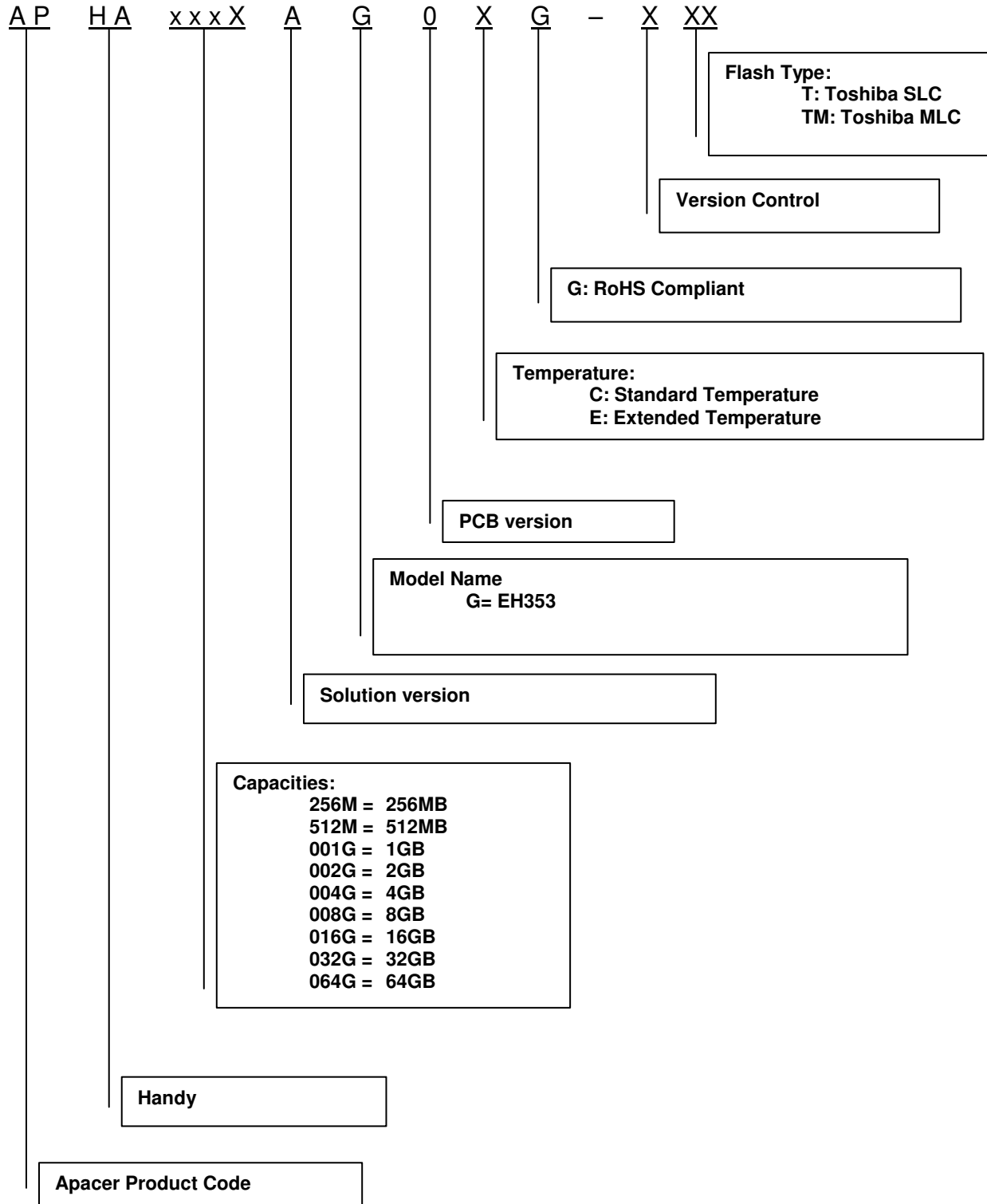
4. Physical Dimensions



Unit: mm

5. Product Ordering Information

5.1 Product Code Designations



5.2 Valid Combinations

5.2.1 EH353 (SLC)

Capacity	Standard	Extended
256 MB	APHA256MAG0CG-1T	APHA256MAG0EG-1T
512 MB	APHA512MAG0CG-1T	APHA512MAG0EG-1T
1 GB	APHA001GAG0CG-1T	APHA001GAG0EG-1T
2 GB	APHA002GAG0CG-1T	APHA002GAG0EG-1T
4 GB	APHA004GAG0CG-1T	APHA004GAG0EG-1T
8 GB	APHA008GAG0CG-1T	APHA008GAG0EG-1T
16 GB	APHA016GAG0CG-1T	APHA016GAG0EG-1T
32 GB	APHA032GAG0CG-1T	APHA032GAG0EG-1T

5.2.2 EH353 (MLC)

Capacity	Standard	Extended
8GB	APHA008GAG0CG-1TM	APHA008GAG0EG-1TM
16GB	APHA016GAG0CG-1TM	APHA016GAG0EG-1TM
32GB	APHA032GAG0CG-1TM	APHA032GAG0EG-1TM
64GB	APHA064GAG0CG-1TM	APHA064GAG0EG-1TM

USB Disk Module
APHAXXXAG0XG-1TX



Revision History

Revision	Description	Date
1.0	Official Release	2/16/2015

Global Presence

Taiwan (Headquarters)	Apacer Technology Inc. 1F., No.32, Zhongcheng Rd., Tucheng Dist., New Taipei City 236, Taiwan R.O.C. Tel: 886-2-2267-8000 Fax: 886-2-2267-2261 amtsales@apacer.com
U.S.A.	Apacer Memory America, Inc. 386 Fairview Way, Suite102, Milpitas, CA 95035 Tel: 1-408-586-1291 Fax: 1-408-935-9611 sa@apacerus.com
Japan	Apacer Technology Corp. 5F, Matsura Bldg., Shiba, Minato-Ku Tokyo, 105-0014, Japan Tel: 81-3-5419-2668 Fax: 81-3-5419-0018 jpservices@apacer.com
Europe	Apacer Technology B.V. Science Park Eindhoven 5051 5692 EB Son, The Netherlands Tel: 31-40-267-0000 Fax: 31-40-267-0000#6199 sales@apacer.nl
China	Apacer Electronic (Shanghai) Co., Ltd 1301, No.251, Xiaomuqiao Road, Shanghai, 200032, China Tel: 86-21-5529-0222 Fax: 86-21-5206-6939 sales@apacer.com.cn
India	Apacer Technologies Pvt. Ltd. #143, 1st Floor, Raheja Arcade, 5th Block Kormangala Industrial Layout, Bangalore - 560095, India Tel: 91-80-4152-9061 sales_india@apacer.com