



Chipsmall Limited consists of a professional team with an average of over 10 year of expertise in the distribution of electronic components. Based in Hongkong, we have already established firm and mutual-benefit business relationships with customers from,Europe,America and south Asia,supplying obsolete and hard-to-find components to meet their specific needs.

With the principle of “Quality Parts,Customers Priority,Honest Operation,and Considerate Service”,our business mainly focus on the distribution of electronic components. Line cards we deal with include Microchip,ALPS,ROHM,Xilinx,Pulse,ON,Everlight and Freescale. Main products comprise IC,Modules,Potentiometer,IC Socket,Relay,Connector.Our parts cover such applications as commercial,industrial, and automotives areas.

We are looking forward to setting up business relationship with you and hope to provide you with the best service and solution. Let us make a better world for our industry!



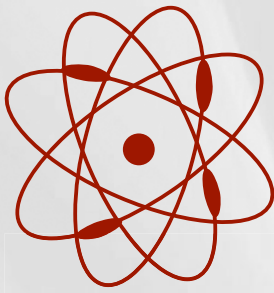
Contact us

Tel: +86-755-8981 8866 Fax: +86-755-8427 6832

Email & Skype: info@chipsmall.com Web: www.chipsmall.com

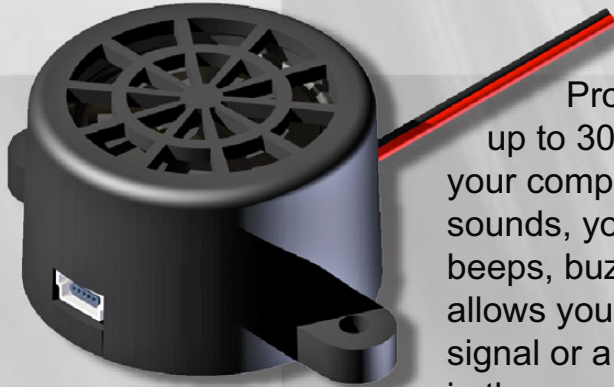
Address: A1208, Overseas Decoration Building, #122 Zhenhua RD., Futian, Shenzhen, China





**pui
audio**™ inc
a projects unlimited company

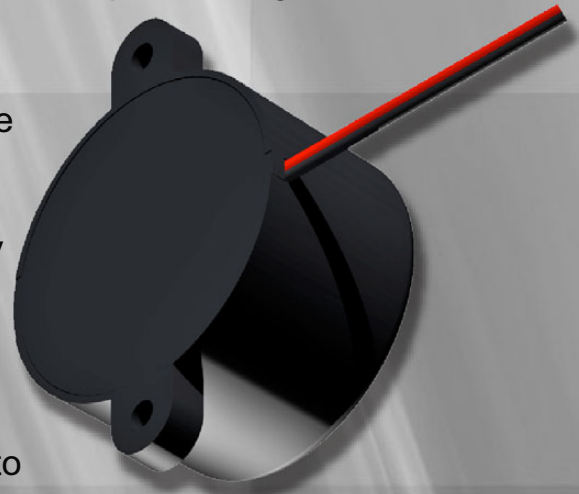
PROGRAMMABLE INDICATOR



API-4260-LW150-R

PUI Audio is proud to announce our new Programmable Indicator that allows you to program up to 30 seconds of any WAV or MP3 file via USB from your computer. With the flexibility of programming your own sounds, you are no longer required to listen to the standard beeps, buzzes or alarm signals. The programmable indicator allows you to give voice instructions along with a warning signal or a unique tone if multiple warning devices are used in the same area.

With a wide frequency range of 100Hz to 6,000Hz, the programmable indicator can play a variety of tones, alarm signals, or voice and music messages. Once programmed, the indicator will play the file repetitively until power is turned off. The file is stored on internal flash memory that can be reprogrammed as often as you like and will not erase until another file is programmed over it. With an operating voltage range of 7 to 24 VDC, there is no need of complex circuitry to produce the exact tone you are looking for.



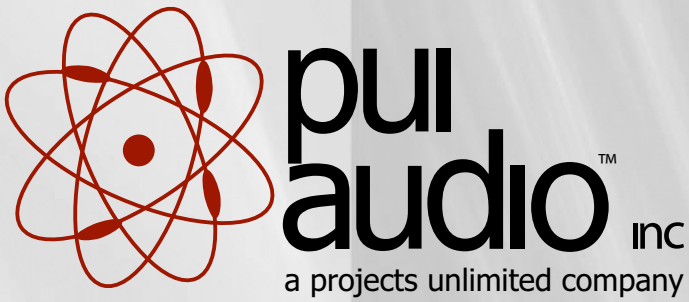
Features include:

- Ability to program any WAV or MP3 file
- Volume can be controlled by file programming
- Flash memory can be programmed more than once
- Pre-programming available on certain quantities
- Repeating continuous operation
- Simple-to-use Windows interface
- Wide frequency range
- DC operating voltage
- Flange mounting

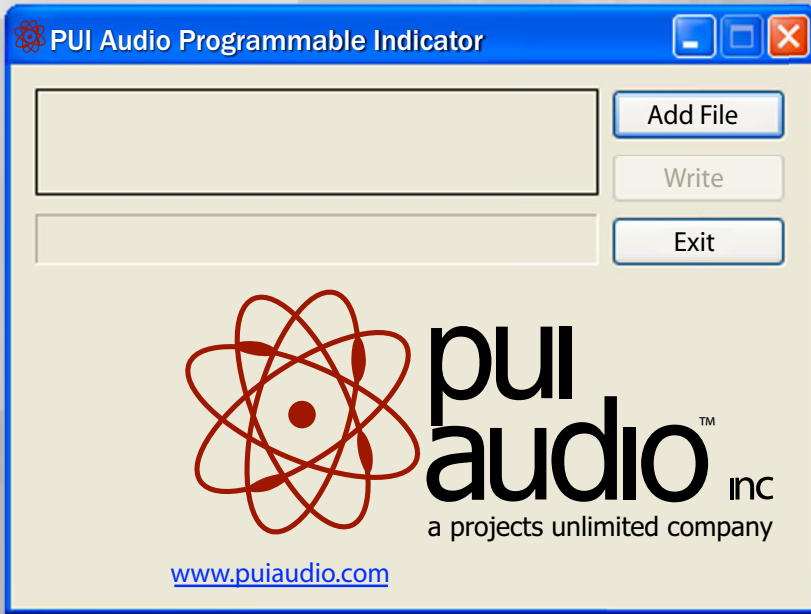
Specifications:

- Rated Voltage: 12VDC
- Voltage Range: 7 ~ 24VDC
- Frequency Range: 100 ~ 6,000Hz
- Minimum SPL @ 10cm with default 1KHz tone: 100dBA
- Max Rated Current: 350mA
- Max File Length: 33 seconds
- Sampling Rate: 12KHz

PUI Audio is a leading developer, manufacturer and supplier of quality audio devices and components including buzzers, alerts, speakers and microphones. Corporate offices, product development, engineering, sales and customer service are located in Dayton, Ohio. With an extensive network of sales representatives, agents and distributors we provide products and services throughout the world. Whether your needs are for an off the shelf product or a custom design, PUI Audio has your sound solution.

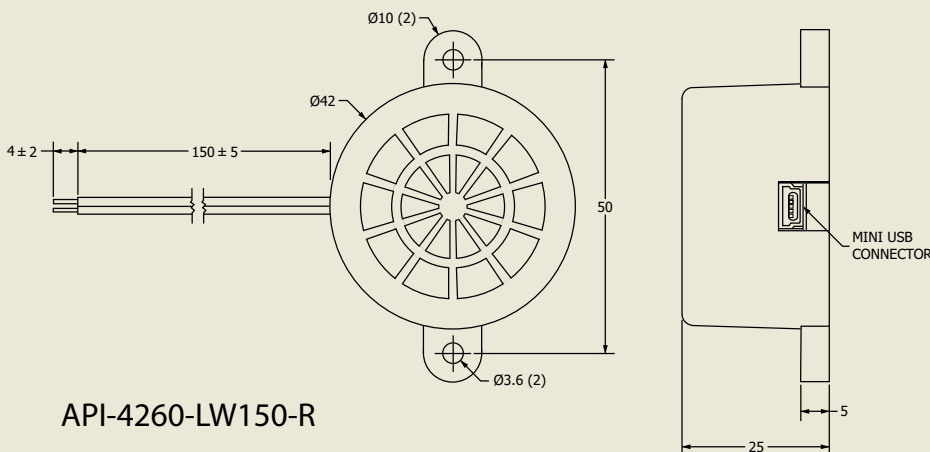


PROGRAMMABLE INDICATOR



**Simple-to-use
Windows interface**
Download it from our website
at www.puiaudio.com

1 Meter USB to Mini USB
PUI part #: API-CABLE
Sold Separately



Dimensions