



Chipsmall Limited consists of a professional team with an average of over 10 year of expertise in the distribution of electronic components. Based in Hongkong, we have already established firm and mutual-benefit business relationships with customers from,Europe,America and south Asia,supplying obsolete and hard-to-find components to meet their specific needs.

With the principle of “Quality Parts,Customers Priority,Honest Operation,and Considerate Service”,our business mainly focus on the distribution of electronic components. Line cards we deal with include Microchip,ALPS,ROHM,Xilinx,Pulse,ON,Everlight and Freescale. Main products comprise IC,Modules,Potentiometer,IC Socket,Relay,Connector.Our parts cover such applications as commercial,industrial, and automotives areas.

We are looking forward to setting up business relationship with you and hope to provide you with the best service and solution. Let us make a better world for our industry!



Contact us

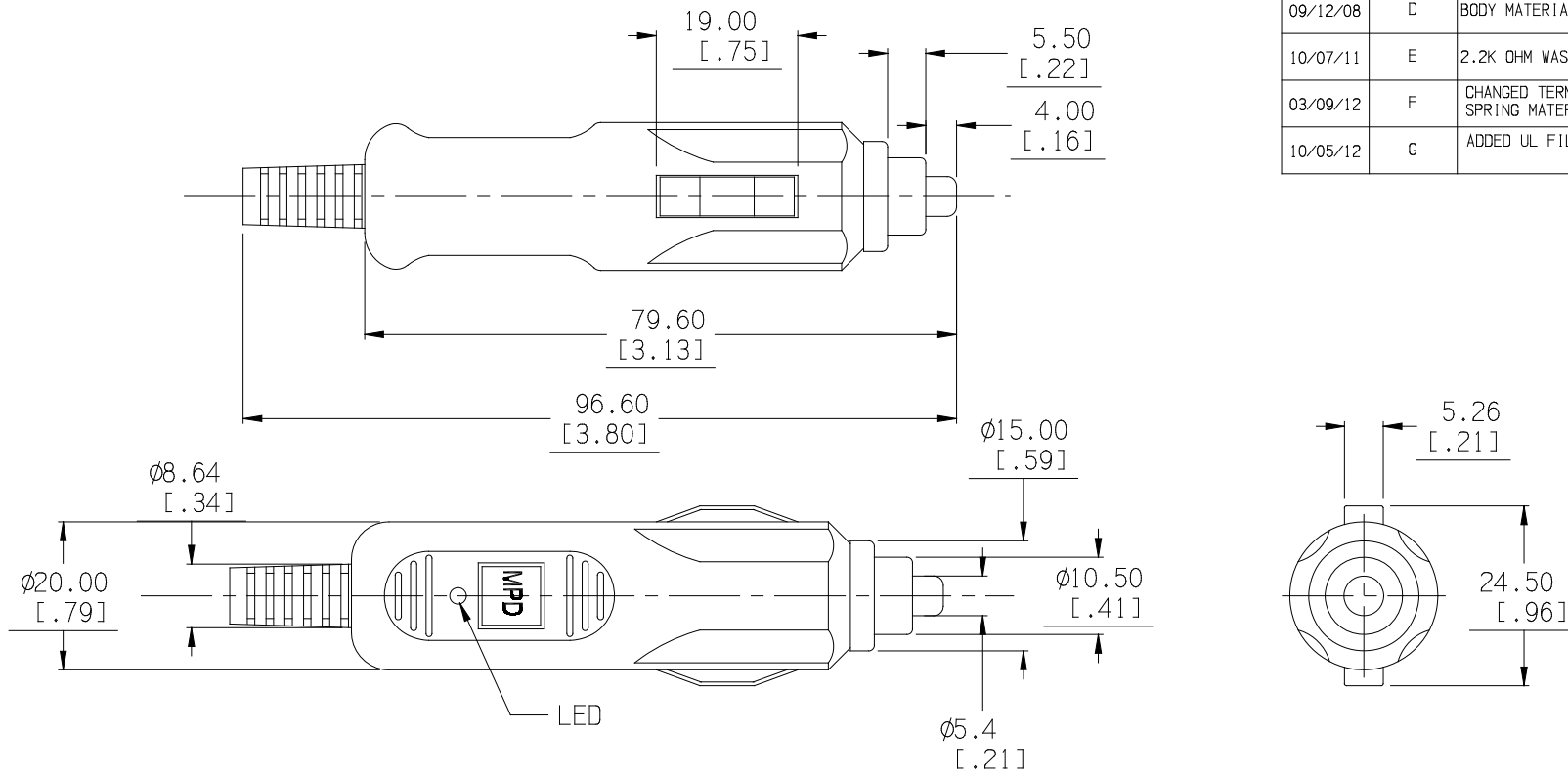
Tel: +86-755-8981 8866 Fax: +86-755-8427 6832

Email & Skype: info@chipsmall.com Web: www.chipsmall.com

Address: A1208, Overseas Decoration Building, #122 Zhenhua RD., Futian, Shenzhen, China




Date	SYM	REVISION RECORD	AUTH	DR.	CK.
04/05/03	A	ADDED 15 AMP IN TITLE BLOCK	T.B.	B.S.	
03/11/06	B	SPRING MATERIAL WAS P.B.P.	T.B.	B.S.	
10/28/06	C	ADDED "ROHS COMPLIANT"	T.B.	B.S.	
09/12/08	D	BODY MATERIAL WAS NYLON 66	T.B.	B.S.	
10/07/11	E	2.2K OHM WAS 22K	T.B.	B.S.	
03/09/12	F	CHANGED TERMINAL AND SPRING MATERIAL	T.B.	B.S.	
10/05/12	G	ADDED UL FILE NO.	T.B.	B.S.	



SPECIFICATION:

BODY: NYLON 6, FLAMMABILITY RATING UL94V-0 UL FILE NO. E154352
 COLOR: BLACK
 CENTER CONTACT: BRASS, NICKEL PLATED
 NEG. TERMINAL: SKS, NICKEL PLATED
 POS. TERMINAL: PHOSPHOR COPPER, NICKEL PLATED
 SPRING: PHOSPHOR COPPER
 WIRE STRAIN RELIEF: PVC
 LED: RED, Ø3mm, 2.2K Ohm, 1/4 W
 FUSE: 6.35mm x 30mm (1/4" X 1 1/4")
 RATED AT 18 HOURS, CONTINUOUS DUTY
 15 AMP'S MAX WITH CORRECT FUSE.
 ROHS COMPLIANT

Tolerance (Inches)	 Memory Protection Devices, Inc. 200 Broad Hollow Road, Farmingdale, New York 11735		
Decimal	±.5 (.020)	Scale	Drawn By B.S.
Fractional	± .8 (.030)	Approved By T.B.	
Angular	± 3°	Date	Drawing Number
		10/05/12	APP-001-15AMP
Title		15 AMP CIGARETTE PLUG FOR 21 OR 22.2mm DIA. SOCKETS	